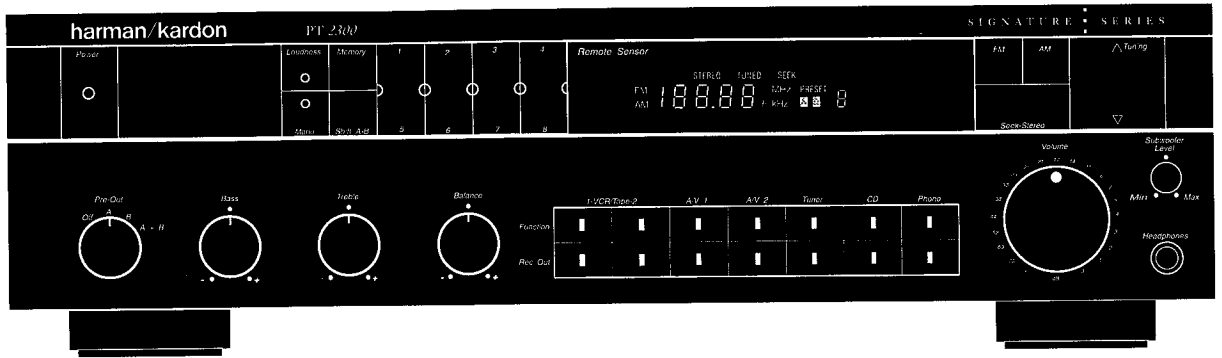


22

The Harman Kardon Model PT2300 STEREO TUNER

Manual A

Technical Manual



The following marks found in the parts list of this manual identify the models as follows:

- Ⓚ : North America area model Black version**
- Ⓜ : International model Black version**

harman/kardon

Service and Parts Department
 240 Crossways Park West, Woodbury, N. Y. 11797
 1112-PT2300-A P9305 1200 Printed in USA

CONTENTS

SPECIFICATIONS	1
LEAKAGE TEST	2
DISPLAYS	2
CONTROLS AND FUNCTIONS	3
REMOTE CONTROL	3
DISASSEMBLY PROCEDURES	3
CIRCUIT DESCRIPTION	4
POWER CORD REPLACEMENT	5
TIMING CHART	5

BLOCK DIAGRAM	6
ALIGNMENT PROCEDURES	7
GENERAL UNIT (EXPLODED VIEW)	8
GENERAL PARTS LIST	9
P. C. BOARDS	10
ELECTRICAL PARTS LIST	13
SCHEMATIC DIAGRAM	22
WIRING DIAGRAM	28

SPECIFICATIONS

■ FM Section

	Nominal	Limit
Tuning Range	87.5 - 108.0MHz	
50dB Quieting Sensitivity (at 98MHz)		
Mono	15.0dBf ≤ 19.0dBf ^{EX}	15.0dBf ≤ 27.0dBf ^{WB}
Stereo	35.0dBf ≤ 41.0dBf ^{EX}	35.0dBf ≤ 50.0dBf ^{WB}
Usable Sensitivity (at 98MHz)	11.0dBf ≤ 15.0dBf ^{EX}	11.2dBf ≤ 17.0dBf ^{WB}
Image Ratio (at 106Mhz)	45.0dB ≥ 40.0dB	
IF Rejection	94.0dB ≥ 80.0dB	
Capture Ratio (at 65dBf)	1.2dB	
Alternate Channel Selectivity (+400kHz, -400kHz)	77dB ≥ 60dB ^{EX}	77dB ≥ 60dB ^{WB}
(+300kHz, -300kHz)	77dB ≥ 60dB ^{WB}	
AM Rejection (at 45dBf)	62.0dB ≥ 45.0dB	
Signal to Noise Ratio (at 65dBf)		
Mono	80.5dB ≥ 76.0dB ^{EX}	80.5dB ≥ 70.0dB ^{WB}
Stereo	76.0dB ≥ 70.0dB ^{EX}	76.0dB ≥ 63.0dB ^{WB}
Total Harmonic Distortion (at 65dBf, 1kHz)		
Mono	0.05% ≤ 0.3%	
Stereo	0.09% ≤ 0.3%	
Stereo Separation (at 65dBf, 1kHz)	57dB ≥ 45dB ^{EX}	57dB ≥ 35dB ^{WB}

■ AM Section

Tuning Range	530kHz - 1710kHz ^{EX}	531kHz - 1602kHz ^{WB}
20dB S/N Sensitivity External Antenna (at 1000kHz)	26.0μV ≤ 40.0μV	
Selectivity (+20kHz, -20kHz)	50dB	
Signal to Noise Ratio	52.0dB ≥ 47.0dB	
Image Rejection	39.0dB ≥ 30.0dB	
IF Rejection	62dB ≥ 50dB	

■ Audio Section

Usable Sensitivity		
Video/CD/Tape	135mV	> 135mV±25mV/ 23kΩ ±2kΩ
Phono (MM)	2.2mV	> 2.2mV±0.2mV/ 47kΩ ±5kΩ
Signal to Noise Ratio		
Video/CD/Tape	94.0dB	≥ 90.0dB
Phono (MM)	84.0dB	≥ 80.0dB
Channel Separation		
Video/CD/Tape	55.0dB	> 50dB
Phono (MM)	57.0dB	> 50dB
Tone Control Characteristics		
Bass at 50Hz		
Boost	10dB±2dB	
Cut	-10dB±2dB	
Treble at 10kHz		
Boost	10dB±2dB	
Cut	-10dB±2dB	
Loudness Control (at 50Hz)	10dB±2dB	
RIAA Equalization (at Tape Out) (20Hz/20kHz)	0dB±0.5dB	

■ Dimension

(W x H x D) 17³/₈" x 47⁷/₈" x 131¹/₂"
(443 x 122 x 342mm)

■ Weight

11.0 lbs/5.0 kg

■ Power Supply

North America area model AC 120V, 60Hz
Asia/Oceania model AC 230 - 240V, 50/60Hz

■ Power Consumption

23W

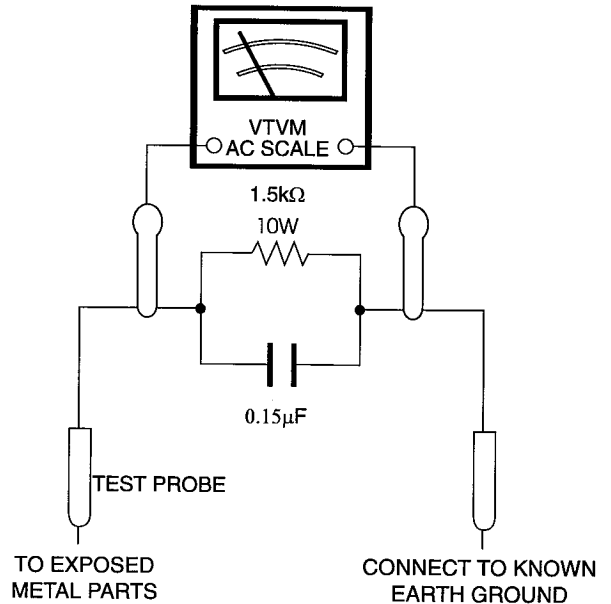
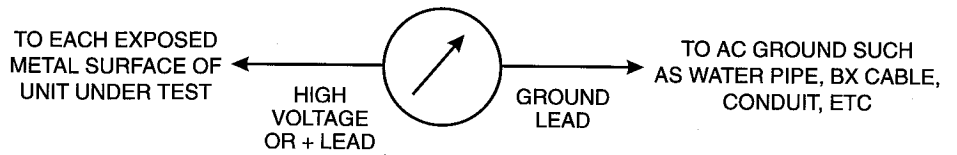
These specifications are service target specs.
Specifications and components subject to change
without notice. Overall performance will be maintained
or improved.

LEAKAGE TEST (FOR SERVICE ENGINEERS IN THE U.S.A.)

Before returning the unit to the user, perform the following safety checks:

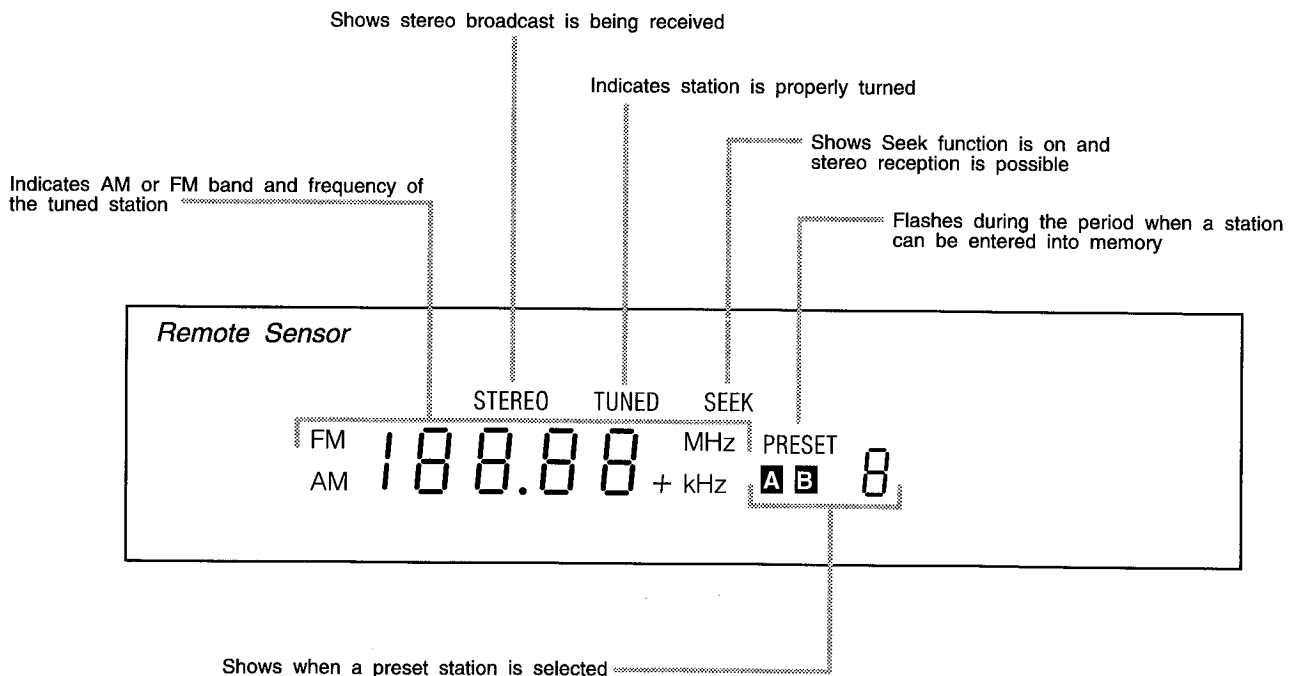
1. Inspect all lead dress to make certain that leads are not pinched or that hardware is not lodged between the chassis and other metal parts in the unit.
2. Be sure that any protective devices such as nonmetallic control knobs, insulating fishpapers, cabinet backs, adjustment and compartment covers or shields, isolation resistor-capacity networks, mechanical insulators, etc. which were removed for servicing are properly reinstalled.
3. Be sure that no shock hazard exists; check for leakage current using Simpson Model 229 Leakage Tester, standard equipment item No. 21641, RCA Model WT540A or use alternate method as follows: Plug the power cord directly into a 120-volt AC receptacle (do not use an Isolation Transformer for this test). Using two clip leads, connect a 1500 Ohm, 10-watt resistor paralleled by a 0.15 μ F capacitor, in series with all exposed metal cabinet parts and a known earth ground, such as a water pipe or conduit. Use a VTVM or VOM with 1000 Ohms per volt, or higher sensitivity to measure the AC voltage drop across the resistor (see diagram). Move the resistor connection to each exposed metal part having a return path to the chassis (antenna, metal, cabinet, screw heads, knobs and control shafts, escutcheon, etc.) and measure the AC voltage drop across the resistor. (This test should be performed with the power switch in both the On and Off positions.)

SIMPSON MODEL 229 ETC. FOR LEAKAGE TEST

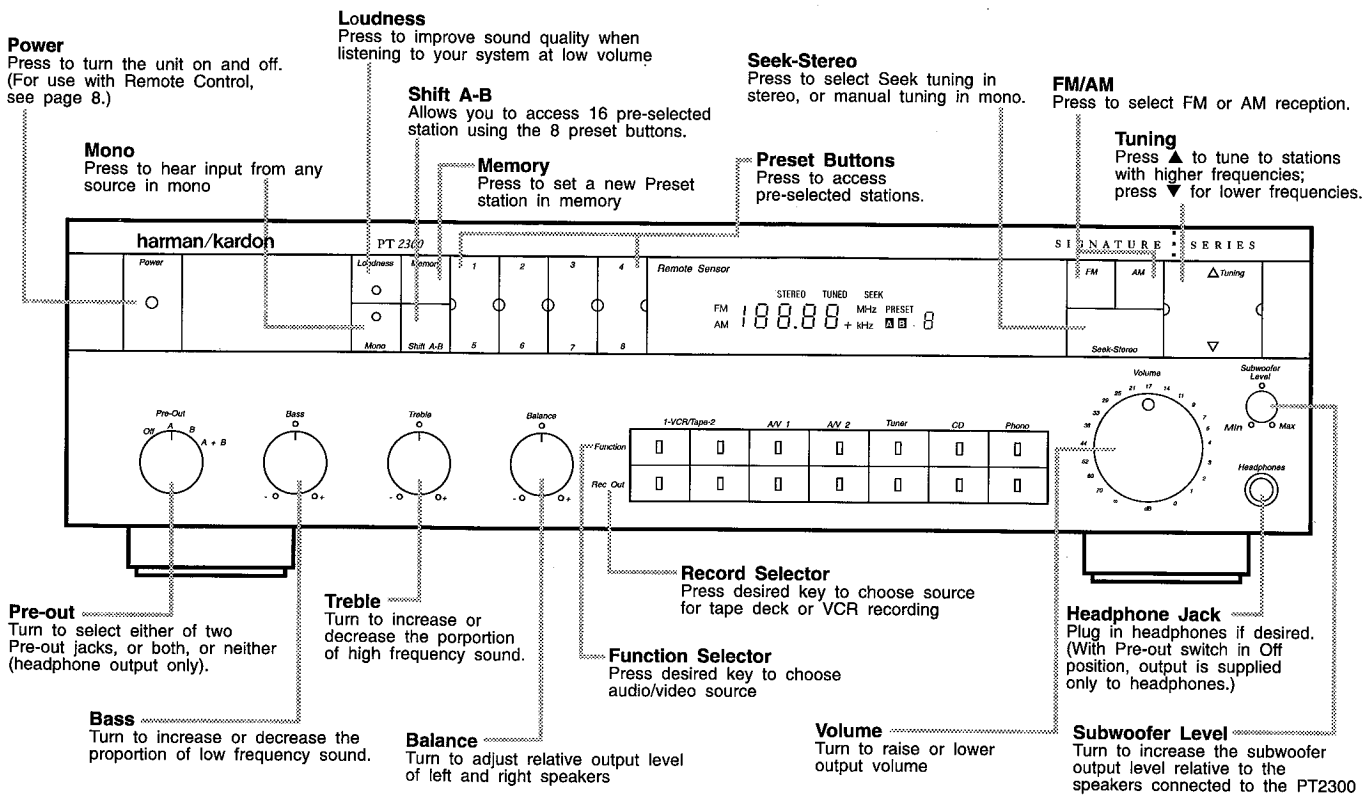


A reading of 0.35 volt RMS or more is excessive and indicates a potential shock hazard which must be corrected before returning the unit to the owner.

DISPLAYS



CONTROLS AND FUNCTIONS



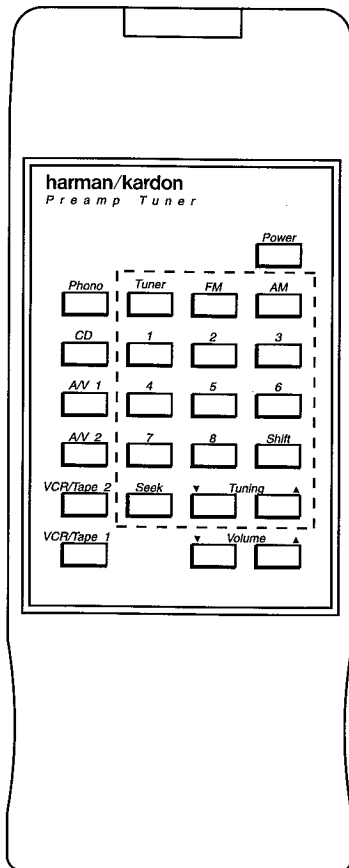
REMOTE CONTROL

Independent Remote Control

The keys on the remote control unit function the same as the corresponding buttons on the receiver itself, except for the power switch.

The power switch on the receiver turns the unit On and Off. The button on the remote control switches the receiver from On (green LED illuminates on receiver power switch) to Standby (amber LED), as follows.

When power is On, pressing the power button on the remote control puts the receiver in Standby mode. From this mode, the receiver can be turned back on from the remote control. When power is Off, the receiver can be turned on only from the unit itself, not from the remote control.



Operating Conditions

The control unit operates effectively within a distance of 7 meters (23 feet) and an angle of 30° from the receiver. Using the control near fluorescent lights may shorten this range, as will any dust or dirt that accumulates on the front of the remote control, or the "Remote Sensor" area of the receiver. Also avoid blocking the line of sight between receiver and remote.

The control unit is powered by two AA batteries, included with your receiver. When you replace weak batteries, replace both at the same time. When the remote is to be unused for an extended period, remove the batteries to prevent damage from corrosion.

DISASSEMBLY PROCEDURES

1 CABINET TOP REMOVAL

Remove 6 screws (A) and then remove the Cabinet Top (127).

2 FRONT PANEL ASSEMBLY REMOVAL

1. Remove the Cabinet Top (127), referring to the previous step 1.
2. Disconnect the lead wires (JL101 and JL804) on the Tuner P. C. Board (PCB-1).
3. Disconnect the connector with lead wire (CW15) from the connector (CN15) on the Tuner P. C. Board (PCB-1).
4. Pull out the Volume knob (139).
5. Disconnect the connector with lead wire (CW100) from the connector (CN100) on the Tuner P.C. Board (PCB-1).
6. Remove 6 screws (B) and then remove the Front Panel Assembly (AA).

3 TUNER P.C. BOARD (PCB-1) REMOVAL

1. Remove the Cabinet Top (127), referring to the previous step 1.
2. Disconnect the connector with lead wires (CW15, CW100 and CW504) from Connectors (CN15, CN100, CN504) on the Tuner P. C. Board (PCB-1).
3. Disconnect the lead wires (JL101 and JL804) on the Tuner P. C. Board (PCB-1).
4. Open the lid of connectors (CN12, CN102, CN401, CN416, CN419 and CN501) on the Tuner P. C. Board (PCB-1) and then disconnect the lead wires (JL12, JL102, JL401, W415, W416, W419 and W501).
5. Remove 16 screws (C) and 8 screws (D). Then remove the Tuner P. C. Board (PCB-1) with Equalizer, Monitor, Remote In/Out, Subwoofer and Video P. C. Boards (PCB-2, PCB-3, PCB-5, PCB-13 and PCB-20).

4 FRONT CHASSIS REMOVAL

1. Remove the Cabinet Top (127), referring to the previous step 1.
2. Remove the front Front Panel Assembly (AA), referring to the previous step 2.
3. Remove 7 screws (E) and then remove the Front Chassis (161) with the Tone Control, Volume, Pre-Out Switch, Headphone, Subwoofer VR, Power Switch and Power Indicator P. C. Boards (PCB-7, PCB-8, PCB-11, PCB-12, PCB-13, PCB-16 and PCB-18).
Removal of P. C. Boards attached to the Front Chassis (161).
4. Pull out the Bass, Treble and Balance knobs (140).
5. Remove 3 hexagon-nuts (F) and 2 screws (G). Then remove the Tone Control P. C. Board (PCB-7).
6. Remove a hexagon-nut (H) and then remove the Volume P. C. Board (PCB-8).
7. Pull out the Pre-Out knob (140).
8. Remove a hexagon-nut (I) and then remove the Pre-Out Switch P. C. Board (PCB-11).
9. Remove the metal fixture (J) fixing the Headphone P. C. Board (PCB-12) and then remove it.
10. Pull out the Subwoofer Level knob (141).
11. Remove a hexagon-nut (K) and then remove the Subwoofer VR P. C. board (PCB-13).
12. Pull out the Power Indicator P. C. Board (PCB-18).
13. Remove 2 screws (L) and then remove the Power Switch P. C. Board (PCB-16).

5 POWER SUPPLY P. C. BOARD (PCB-9) REMOVAL

1. Remove the Cabinet Top (127), referring to the previous step 1.
2. Open the lid of connectors (CN12 and CN102) on the Tuner P. C. Board (PCB-1) and then disconnect the lead wires (TM251).
3. Remove 2 screws (L) and then remove the Power Switch P. C. Board (PCB-16).
4. Disconnect the lead wires (TM1 and TM2) from the Power Supply P. C. Board (PCB-9).
5. Remove 2 screws (M), 2 screws (N) and 2 screws (O). Then remove the Power Supply P. C. board (PCB-9) with Power Transformer (T1).

CIRCUIT DESCRIPTION**FM TUNER SECTION**

The FM signal which has entered through the antenna is high-frequency amplified in the front end unit FE 101, mixed with the output of the local oscillator and converted into the 10.7MHz intermediate-frequency. The 10.7MHz signal is amplified in the intermediate-frequency amplifying section which consists of CF201, Q201, CF202, Q202 and CF203 and fed to pin 1 of IC201. In IC201, the signal is transmitted through the IF amplifier in two steps, and after being detected in the quadrature, it is transmitted through the post amplifier to pin 12 and then input to pin 24 of IC301. In IC301, the pilot signal is detected out of the signal which has been fed and 38kHz signal is produced. Then by this signal, stereo signal is demodulated, output from pin 18 for the left channel and from pin 20 for the right channel be fed to the preamplifier.

AM TUNER SECTION

The AM signal which has entered through the antenna is transmitted through the tuning circuit consisting of CB251 to IC201. In IC201 it undergoes high-frequency amplification, intermediate-frequency amplification and detection, and then output from pin 15. This signal is turned ON and OFF at Q704 and Q720 according to the signal from the input selector and fed to pin 23 of IC301.

MUTING CIRCUIT

If FM is received out of tuning or in a very weak field intensity, pin 31 of IC701 becomes high level. This is fed to the base of Q707, whose collector then becomes low level and the collector of Q708 high level. As a result, Q301 (L ch) and Q302 (R ch) are conducted to mute the output.

SYNTHESIZER SECTION**• FM**

The local oscillation output at the front end is fed to pin 21 of IC702, Control output signal if fed from IC701, compared with the divided local oscillation output and output to pin 16. This voltage is level converted at Q701 and Q702, and fed to the front end.

• AM

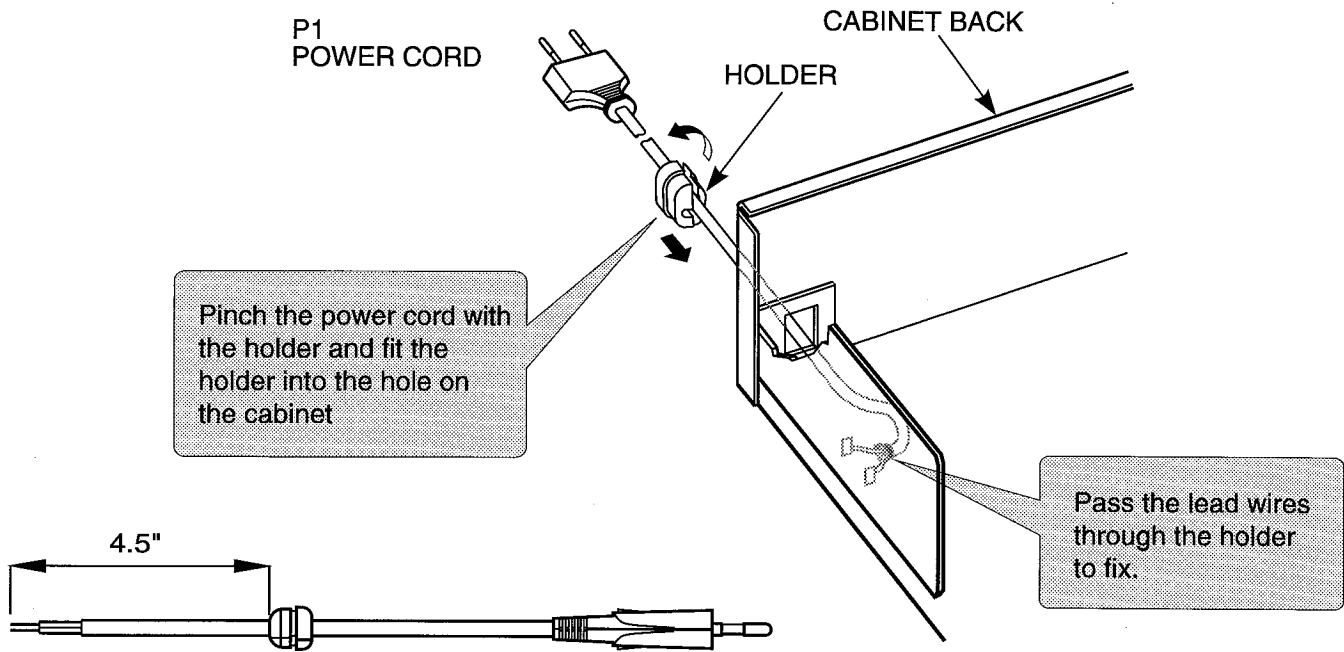
The local oscillation output is fed from pin 24 of IC201 to pin 19 of IC702. In IC702, Control output signal is fed from IC701, compared with the local oscillation output and output to pin 16. This voltage is level converted at Q701 and Q702, and fed to the AM local oscillation section.

AUDIO PRE-AMPLIFIER SECTION

A signal is selected by the function selector from the various inputs, passes through the balance circuit, volume and loudness circuit and is fed into the preamplifier.

POWER CORD REPLACEMENT (FOR SERVICE ENGINEERS OTHER THAN NORTH AMERICA)

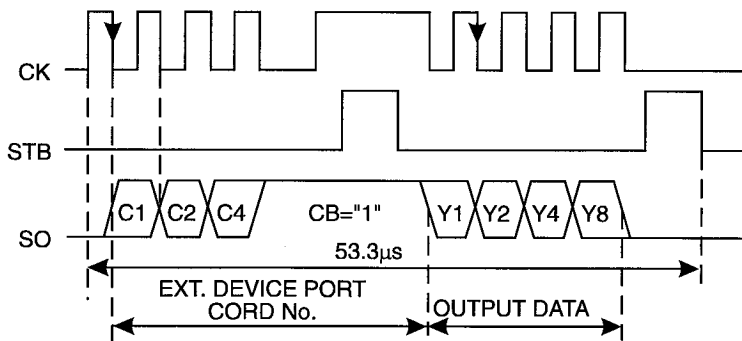
In order to prevent fire or shock hazard when replacing the power cord, follow the procedure below to replace the parts with the standard supply parts.



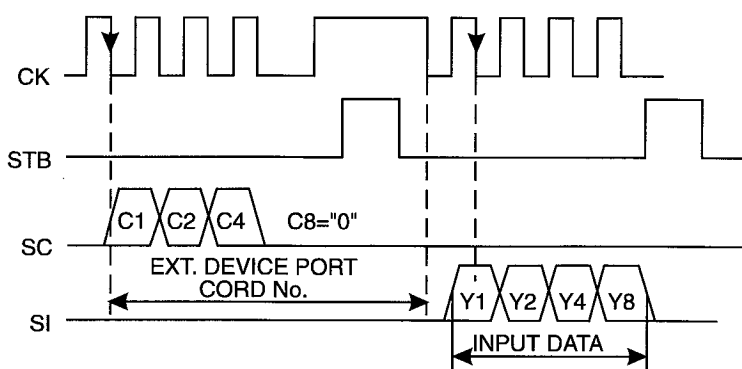
TIMING CHART

Frequency display timing chart of IC701 (TC9301AN-027)

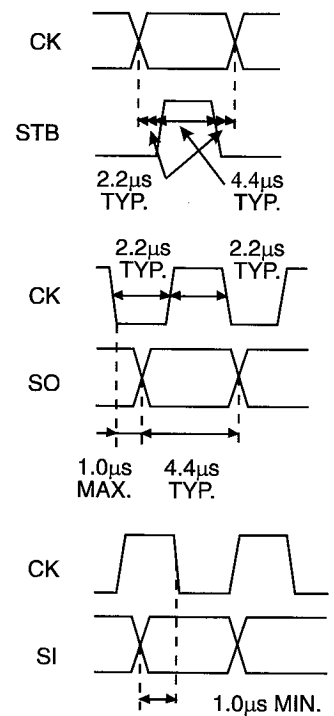
NCD MODE OUTPUT TIMING



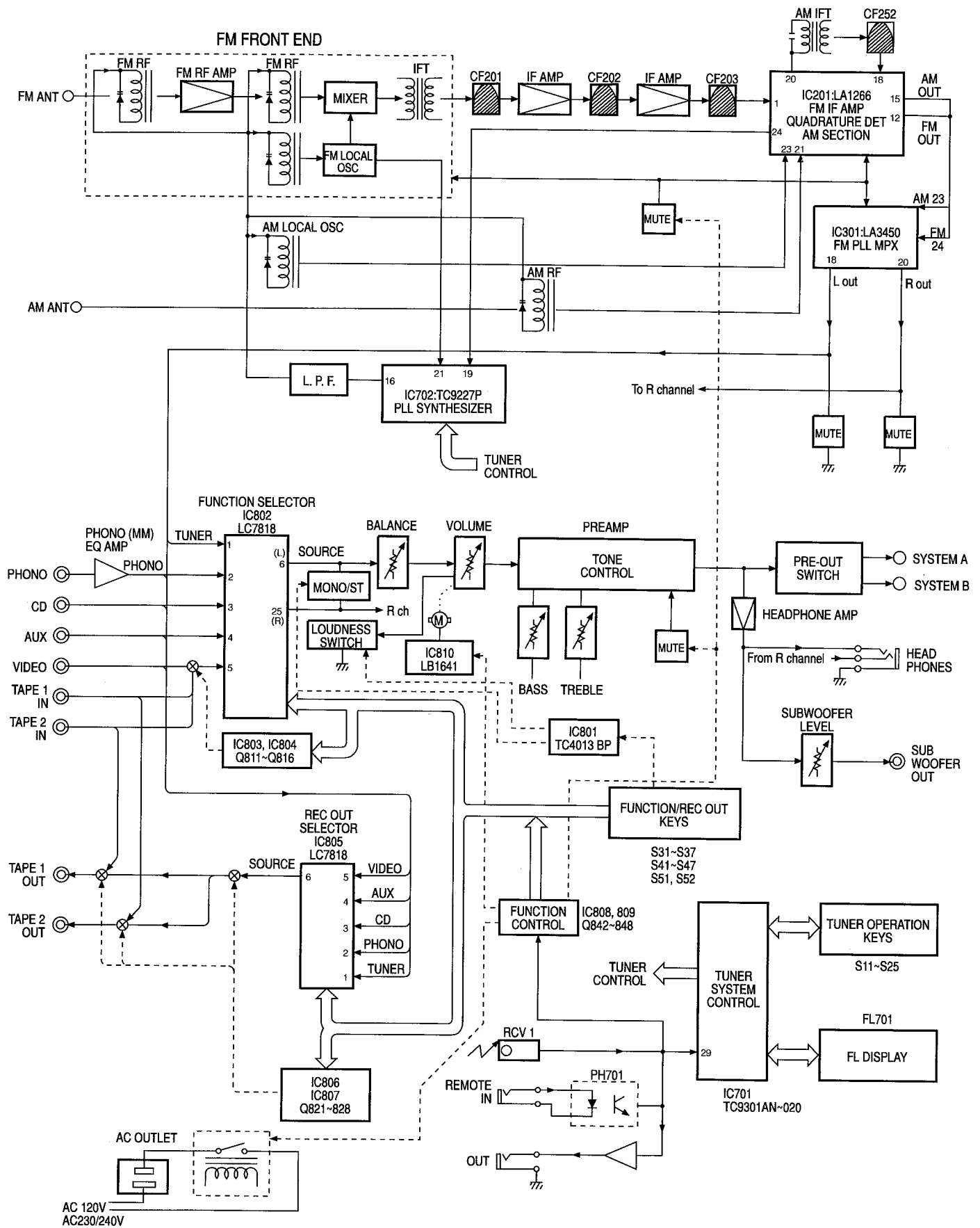
NCD MODE INPUT TIMING



SERIAL TIMING PULSE WIDTH



BLOCK DIAGRAM



ALIGNMENT PROCEDURES

- Conditions:**
- Set the Volume control to minimum.
 - Set the Function switch to tuner position.
 - Make the adjustment at a room temperature of 77F (25C)
 - After the Power switch is pushed on, wait for 30 minutes before measuring to be sure of the most stable operation.

■ AM ADJUSTMENT

- Conditions:**
- Set the AM mode by pressing the "AM" button.
 - Standard modulation of the AM Signal Generator is 400Hz at 30%.
 - Set the Seek-Stereo switch to off (put out seek indicator) position.

Step	Alignment	Terminals to be connected	Measurement Frequency	Station Display	Adjustment	For
1	IF	<ul style="list-style-type: none"> • Connect the AM Test Loop Antenna cable into the output jack of AM Signal Generator (80dBuV input signal). Place AM Test Loop Antenna close enough to couple signal into the AM Loop Antenna. • Connect the VTVM and oscilloscope to the OUTPUT jacks. 	1400kHz	1400kHz	T251	Maximum output level and symmetrical curve on scope.
			1404kHz*	1404kHz*		
2	Tracking		600kHz	600kHz	CB251	Maximum Output
			603kHz*	603kHz*		

* International model^{WB}

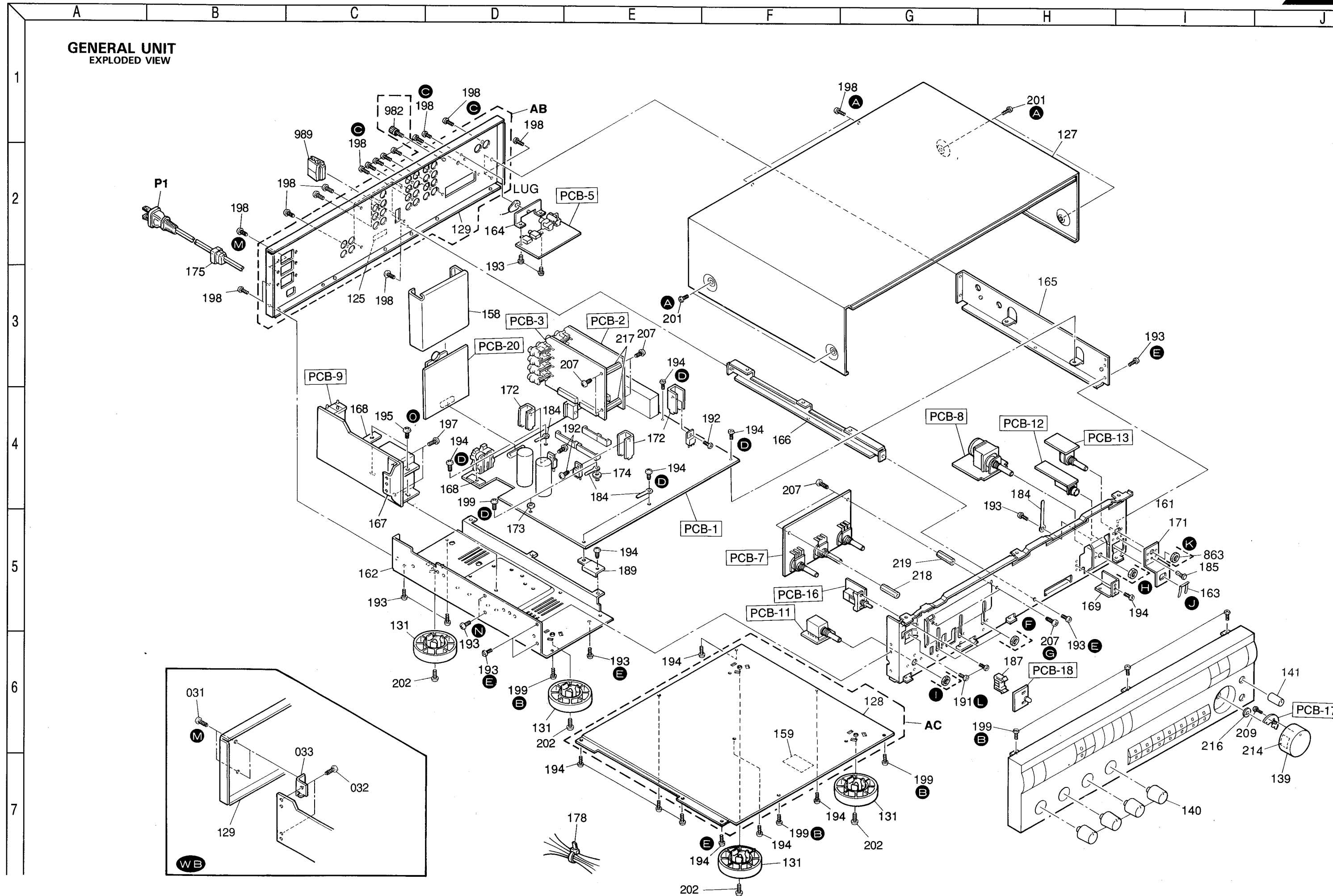
■ FM ADJUSTMENT

FM Signal generator	1kHz, 100% modulation 1kHz, 40kHz modulation*
Stereo Modulator	L+R=45.5%, L-r=45.5%, 19kHz=9% L+R=22.5%, L-R=22.5%, 19kHz=8%*

* International model^{WB}

Step	Alignment	Terminals to be connected	Measurement Frequency	Station Display	Adjustment	For
1	Discriminator	<ul style="list-style-type: none"> • Connect the FM Signal Generator to FM 300Ω BAL Antenna terminals through the 300Ω balanced dummy. [1mV (65dBf) input signal] • Connect the Oscilloscope and Distortion meter to the TAPE 1 OUT jacks. 	97.9MHz	97.9MHz	T201(A)	Adjust so that the TUNED indicator lights in the same range on both plus (+) and minus (-) sides of 97.9MHz.
			97.9MHz	97.9MHz	T201	Minimum distortion
			Repeat steps 1 and 2 for optimum sensitivity			
4	Muting level	<ul style="list-style-type: none"> • Set the Seek-Stereo switch to on (seek indicator lights) position 	97.9MHz	97.9MHz	VR201	Adjust VR201 so that the waveform is muted at 30 dBf input.
5	Separation	<ul style="list-style-type: none"> • Connect the Stereo Modulator to FM Signal Generator to FM 300Ω BAL Antenna terminal through the 300Ω balanced dummy. [1mV (65dBf) input signal] • Connect the VTVM and Oscilloscope to the TAPE 1 OUT jacks. 	97.9MHz	97.9MHz	VR301	Adjust so that the left (or right) channel output becomes minimum when only the right (or left) channel of the Stereo Modulator is modulated
6	Pilot cancel	<ul style="list-style-type: none"> • Connect the Stereo Modulator (19kHz only) to FM Signal Generator. Connect the FM Signal Generator to FM 300Ω BAL Antenna terminal through the 300Ω balanced dummy. [1mV (65dBf) input signal] • Connect the VTVM and Oscilloscope to the TP301 (L ch) and TP302 (R ch). 	97.9MHz	97.9MHz	VR302	Observe with oscilloscope and reduce 19kHz carrier leak level to minimum.

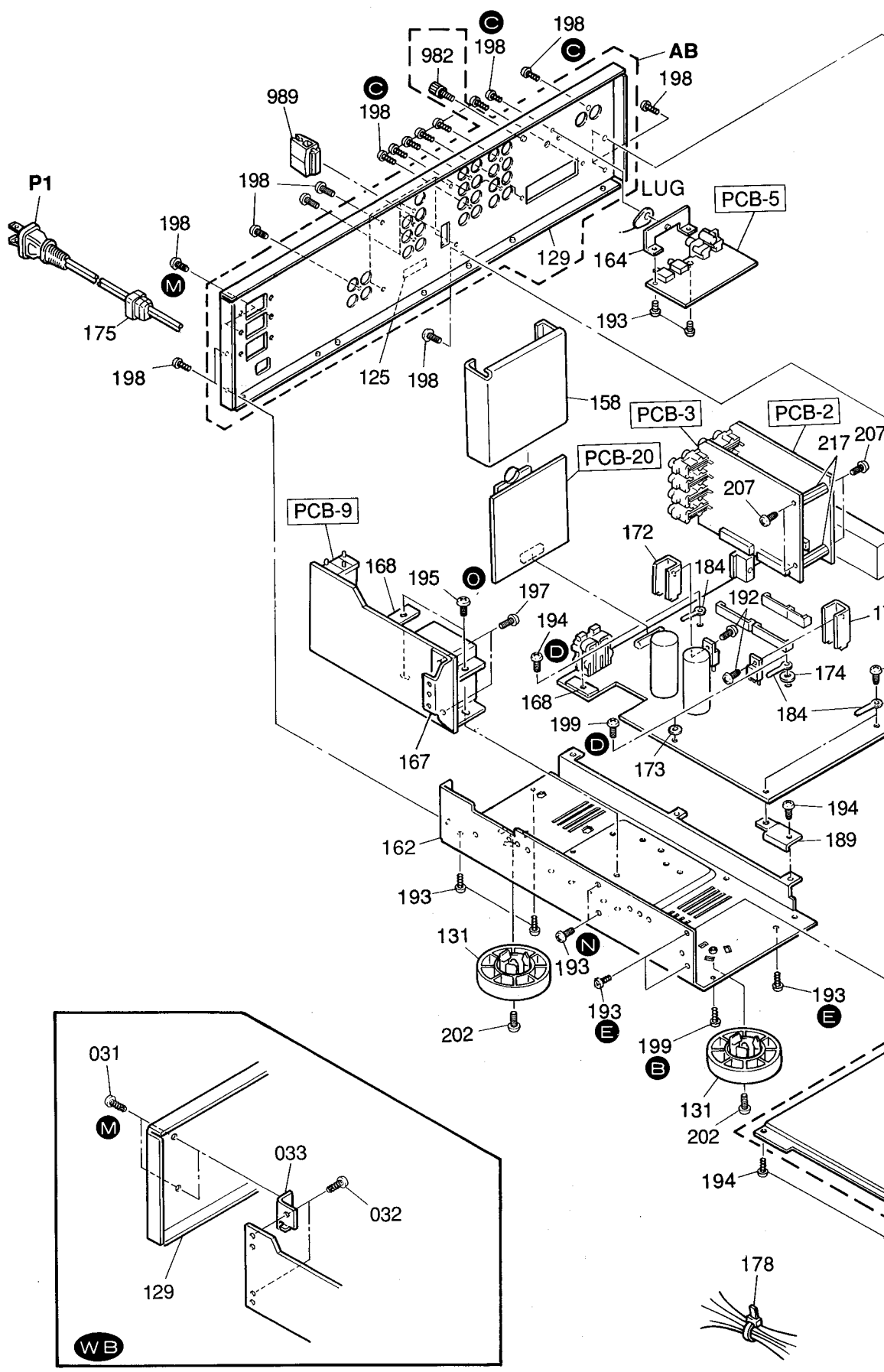
GENERAL UNIT
EXPLODED VIEW

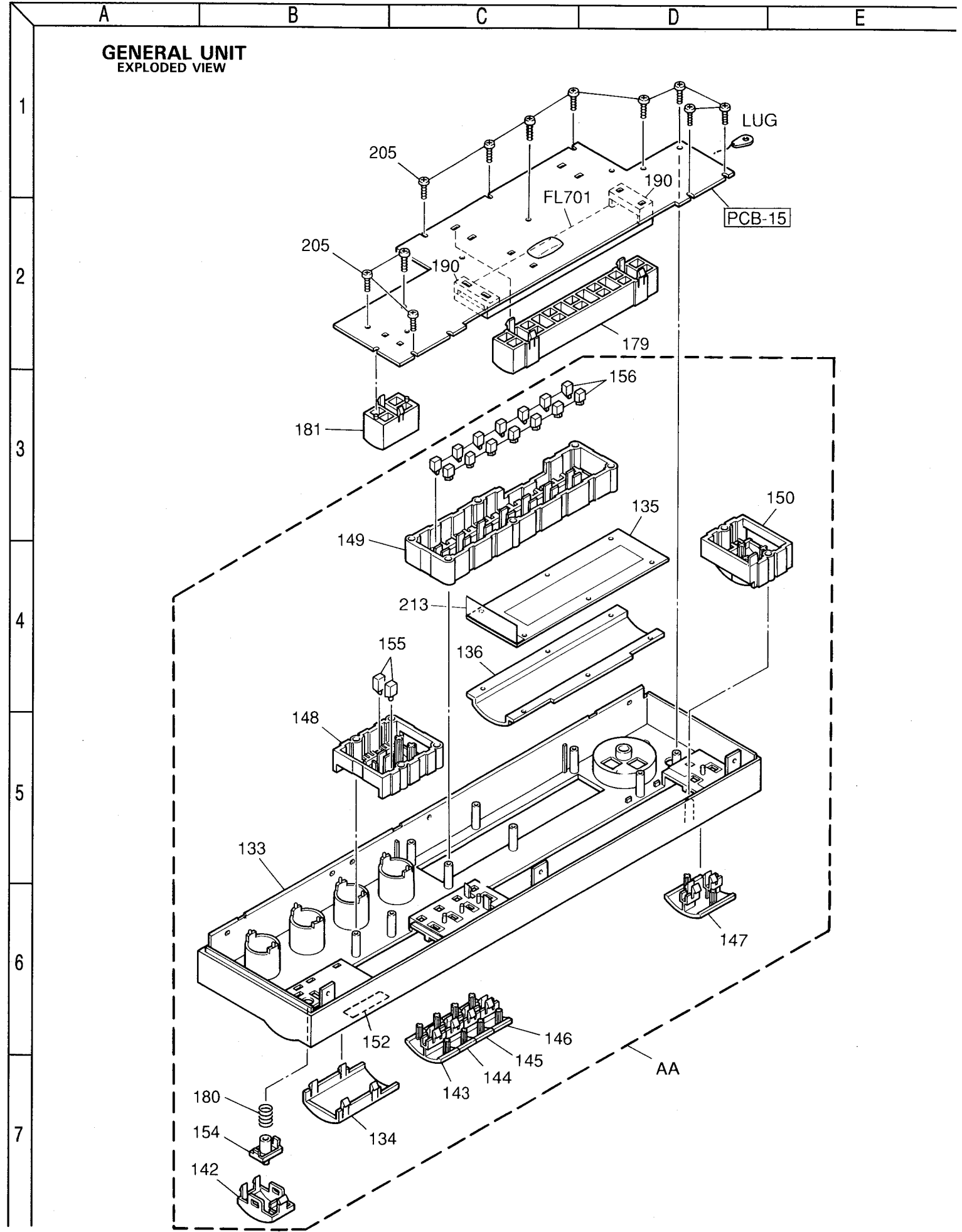


GENERAL UNIT
EXPLODED VIEW

1
2
3
4
5
6
7

A B C D E





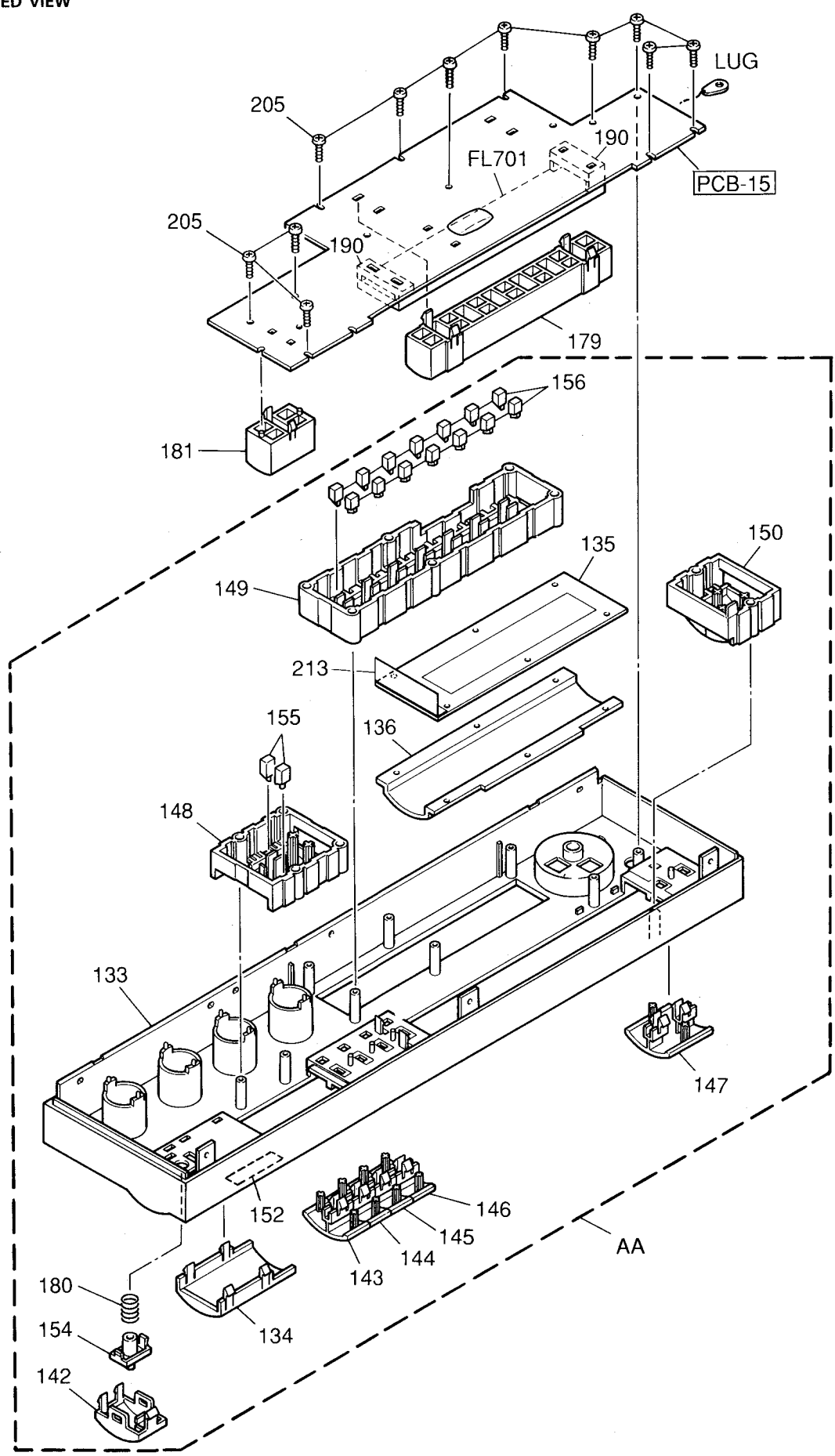
GENERAL UNIT PARTS LIST

Ref. No.	Part No.	Description	Ref. No.	Part No.	Description
AA	A424-PT2300B	FRONT PANEL ASSEMBLY	189	2219-8376	METAL FITTG, TRANS CHASSIS
AB	A424-PT2300A	CABINET BACK ASSEMBLY	190	2240-7386	HOLDER, FL (X2)
AB	A424-PT2300C	CABINET BACK ASSEMBLY	191	2327-R0130062	SCREW, BND+ (3x6 mm) (X2)
AC	A424-PT2300B	CABINET BOTTOM ASSEMBLY	192	2557-300829	SCREW, B SPW+ (3x8 mm) (X3)
AC	A424-PT2300D	CABINET BOTTOM ASSEMBLY	193	2347-R0130062	SCREW, BND T+ (3x6 mm) (X13)
031	2459-3003511	PLASTIC RIVET, POWER SUPPLY (X2)	194	2347-R0130062	SCREW, BND T+ (3x6 mm) (X14)
032	2347-R0130062	SCREW, BND T+ (3X6mm)(X2)	195	2347-400827	SCREW, BND T+ (4x8 mm) (X2)
033	2219	8350METAL FITTG, POWER SUPPLY (X2)	197	2347-R0130062	SCREW, BND T+ (3x6 mm) (X2)
125	1756-CSA	LABEL, CSA LABEL	198	2347-R0130084	SCREW, BND T+ (3x8 mm) (X25)
127	1414-16901	CABINET TOP	199	2347-R0130084	SCREW, BND T+ (3x8 mm) (X8)
128	1424-36101	CABINET BOTTOM	201	2347-R0140064	SCREW, BND T+ (4x6 mm) (X4)
129	1424-36201	CABINET BOTTOM	202	2557-300629	SCREW, B SPW+ (3x6 mm) (X8)
129	1424-36203	CABINET BACK	205	2347-R0126082	SCREW, BND T+ (2.6x8 mm) (X11)
131	1319-02301	LEG (X4)	209	2347-R0126082	SCREW, BND T+ (2.6x8 mm)
133	14442-25706	FRONT PANEL	212	2224-7137	INSULATOR, CABINET
134	1442-25802	PANEL, DUMMY	213	2224-7135	INSULATOR, WINDOW
135	1511-19805	PLATE, FL FILTER	214	2134-11411	ADHESI SHEET, VOLUME
136	1532-17506	WINDOW, FRONT	216	2651-110519	SPRING, VR
139	1630-04602	ROTARY KNOB, VOLUME	217	2362-901015	BOSS, THREAD (X2)
140	1632-20702	ROTARY KNOB, BASS, TREBLE, BALANCE, PRE OUT	218	2362-901016	BOSS, THREAD
140	1632-20802	ROTARY KNOB, SUB WOOFER	219	2362-901017	BOSS, THREAD
142	1662-62502	PUSH BUTTON, POWER	863	2440-62	SPECIAL NUT
143	1662-58605	PUSH BUTTON, PRESET 1/5	982	4214-168	TERMINAL, GND
144	1662-58606	PUSH BUTTON, PRESET 2/6	989	2240-7208	HOLDER, LOOP ANTENNA
145	1662-58607	PUSH BUTTON, PRESET 3/7			
146	1662-58608	PUSH BUTTON, PRESET 4/8			
147	1662-58902	PUSH BUTTON, TUNING			
148	1662-62602	PUSH BUTTON, SHIFT/MEMORY/LOUDNESS/MONO			
149	1662-62702	PUSH BUTTON, FUNCTION			
150	1662-62402	PUSH BUTTON, FM/AM SEEK			
152	1714-02602	NAME PLATE, FRONT PANEL			
154	1732-07901	INDICATOR, POWER			
155	1732-08001	INDICATOR, LOUDNESS, MONO (X2)			
156	1732-08101	INDICATOR, FUNCTION (X14)			
158	2216-7201	SHIELD PLATE, VIDEO PCB			
159	1751-01018	LABEL			
161	2211-7313	CHASSIS, FRONT			
162	2211-7325	CHASSIS, TRANS			
163	2218-89	BRACKET, FIX, HEADPHONES			
164	2219-8298	METAL FITTG, REMOTE IN/OUT			
165	2219-8300	METAL FITTG, RIGHT SIDE			
166	2219-8375	METAL FITTG, CENTER			
167	2219-8349	METAL FITTG, POWER SUPPLY			
168	2219-7093	METAL FITTG, TRANS (x3)			
171	2219-8299	METAL FITTG, SUB WOOFER			
172	2222-7230	HEAT SINK, MAIN PCB (X3)			
173	2401-0473	METAL WASHER			
174	2401-035	METAL WASHER			
175	2240-364	HOLDER, AC CORD			
178	2240-R0101	HOLDER, WIRING (X10)			
179	2240-7375	HOLDER, FRONT PCB			
180	2651-2101736	SPRING, POWER			
181	2240-7374	HOLDER, FRONT PCB			
184	2218-R0130	BRACKET, FIX, WIRING			
185	2459-3003511	PLASTIC RIVET, METAL			
187	2240-7373	HOLDER, POWER SWITCH			

GENERAL UNIT
EXPLODED VIEW

1
2
3
4
5
6
7

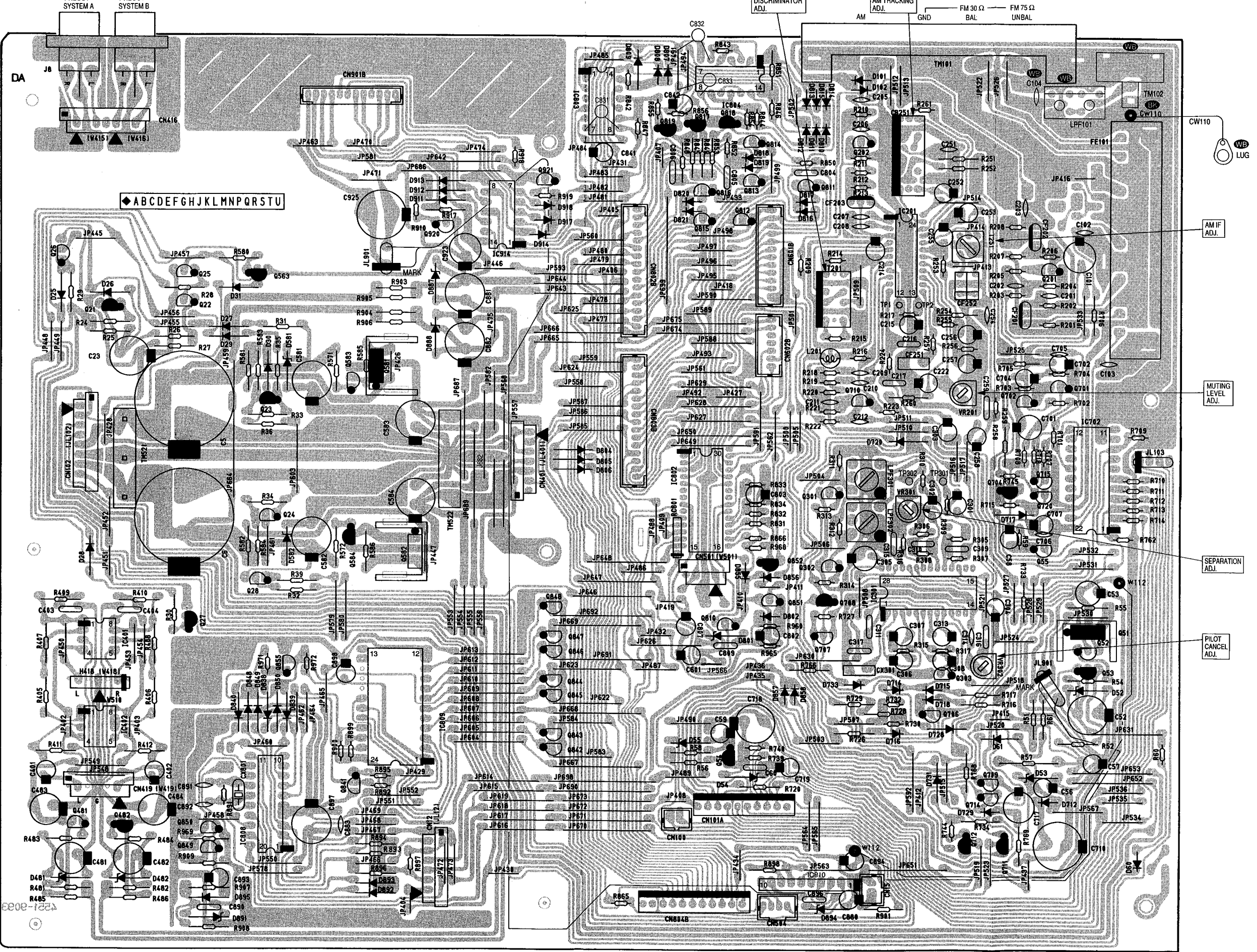
A B C D E



GENERAL UNIT PARTS LIST

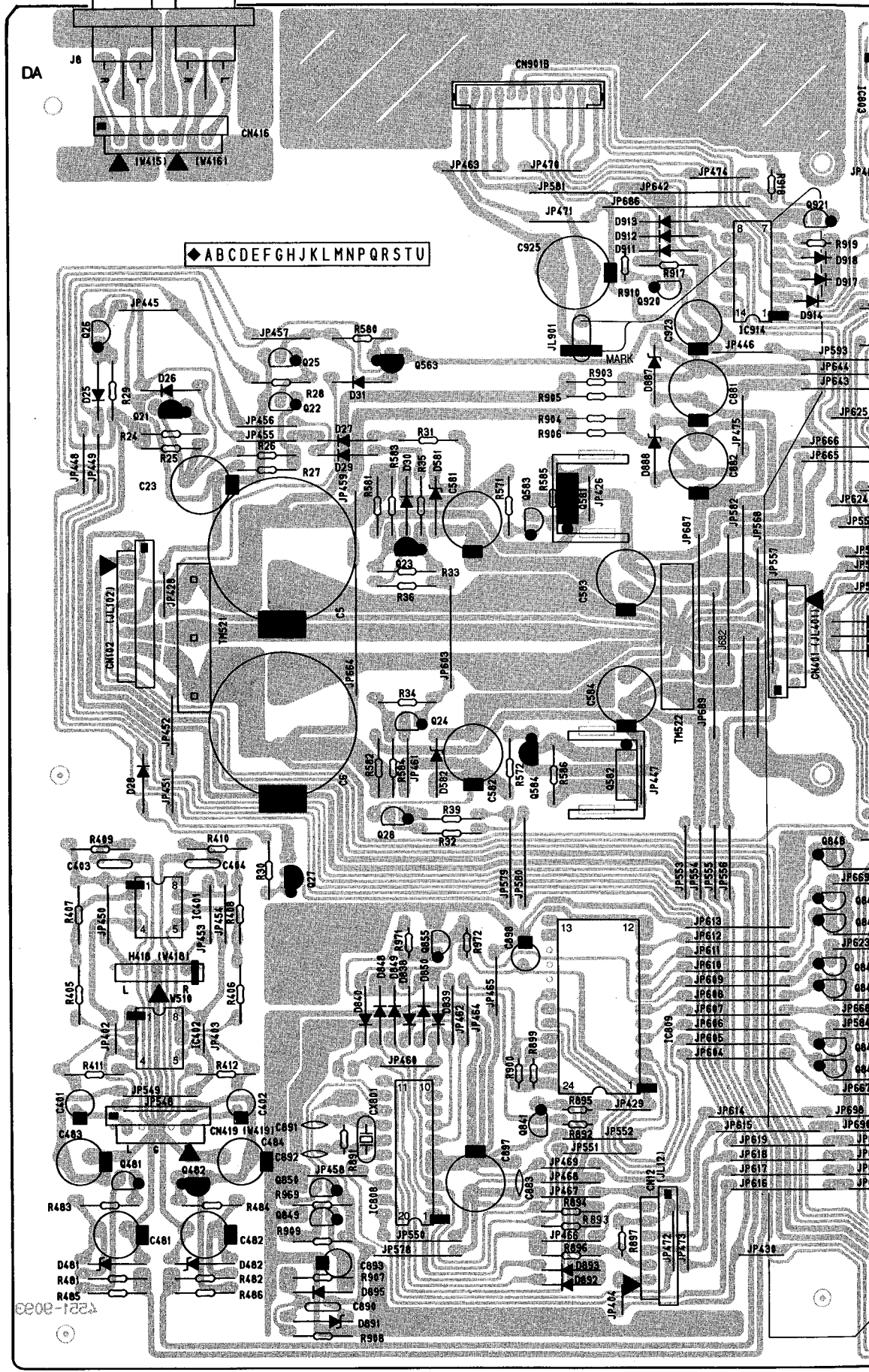
Ref. No.	Part No.	Description	Ref. No.	Part No.	Description
AA	A424-PT2300B	FRONT PANEL ASSEMBLY	189	2219-8376	METAL FITTG, TRANS CHASSIS
AB	A424-PT2300A	CABINET BACK ASSEMBLY [Ⓢ]	190	2240-7386	HOLDER, FL (X2)
AB	A424-PT2300C	CABINET BACK ASSEMBLY [Ⓢ]	191	2327-R0130062	SCREW, BND+ (3x6 mm) (X2)
AC	A424-PT2300B	CABINET BOTTOM ASSEMBLY [Ⓢ]	192	2557-300829	SCREW, B SPW+ (3x8 mm) (X3)
AC	A424-PT2300D	CABINET BOTTOM ASSEMBLY [Ⓢ]	193	2347-R0130062	SCREW, BND T+ (3x6 mm) (X13)
031	2459-3003511	PLASTIC RIVET, POWER SUPPLY (X2) [Ⓢ]	194	2347-R0130062	SCREW, BND T+ (3x6 mm) (X14)
032	2347-R0130062	SCREW, BND T+ (3X6mm)(X2) [Ⓢ]	195	2347-400827	SCREW, BND T+ (4x8 mm) (X2)
033	2219	8350METAL FITTG, POWER SUPPLY (X2) [Ⓢ]	197	2347-R0130062	SCREW, BND T+ (3x6 mm) (X2)
125	1756-CSA	LABEL, CSA LABEL [Ⓢ]	198	2347-R0130084	SCREW, BND T+ (3x8 mm) (X25)
127	1414-16901	CABINET TOP	199	2347-R0130084	SCREW, BND T+ (3x8 mm) (X8)
128	1424-36101	CABINET BOTTOM	201	2347-R0140064	SCREW, BND T+ (4x6 mm) (X4)
129	1424-36201	CABINET BOTTOM [Ⓢ]	202	2557-300629	SCREW, B SPW+ (3x6 mm) (X8)
129	1424-36203	CABINET BACK [Ⓢ]	205	2347-R0126082	SCREW, BND T+ (2.6x8 mm) (X11)
131	1319-02301	LEG (X4)	209	2347-R0126082	SCREW, BND T+ (2.6x8 mm)
133	14442-25706	FRONT PANEL	212	2224-7137	INSULATOR, CABINET
134	1442-25802	PANEL, DUMMY	213	2224-7135	INSULATOR, WINDOW
135	1511-19805	PLATE, FL FILTER	214	2134-11411	ADHESI SHEET, VOLUME
136	1532-17506	WINDOW, FRONT	216	2651-110519	SPRING, VR
139	1630-04602	ROTARY KNOB, VOLUME	217	2362-901015	BOSS, THREAD (X2)
140	1632-20702	ROTARY KNOB, BASS, TREBLE, BALANCE, PRE OUT	218	2362-901016	BOSS, THREAD
140	1632-20802	ROTARY KNOB, SUB WOOFER	219	2362-901017	BOSS, THREAD
142	1662-62502	PUSH BUTTON, POWER	863	2440-62	SPECIAL NUT
143	1662-58605	PUSH BUTTON, PRESET 1/5	982	4214-168	TERMINAL, GND
144	1662-58606	PUSH BUTTON, PRESET 2/6	989	2240-7208	HOLDER, LOOP ANTENNA
145	1662-58607	PUSH BUTTON, PRESET 3/7			
146	1662-58608	PUSH BUTTON, PRESET 4/8			
147	1662-58902	PUSH BUTTON, TUNING			
148	1662-62602	PUSH BUTTON, SHIFT/MEMORY/LOUDNESS/ MONO			
149	1662-62702	PUSH BUTTON, FUNCTION			
150	1662-62402	PUSH BUTTON, FM/AM SEEK			
152	1714-02602	NAME PLATE, FRONT PANEL			
154	1732-07901	INDICATOR, POWER			
155	1732-08001	INDICATOR, LOUDNESS, MONO (X2)			
156	1732-08101	INDICATOR, FUNCTION (X14)			
158	2216-7201	SHIELD PLATE, VIDEO PCB			
159	1751-01018	LABEL [Ⓢ]			
161	2211-7313	CHASSIS, FRONT			
162	2211-7325	CHASSIS, TRANS			
163	2218-89	BRACKET, FIX, HEADPHONES			
164	2219-8298	METAL FITTG, REMOTE IN/OUT			
165	2219-8300	METAL FITTG, RIGHT SIDE			
166	2219-8375	METAL FITTG, CENTER			
167	2219-8349	METAL FITTG, POWER SUPPLY			
168	2219-7093	METAL FITTG, TRANS (x3)			
171	2219-8299	METAL FITTG, SUB WOOFER			
172	2222-7230	HEAT SINK, MAIN PCB (X3)			
173	2401-0473	METAL WASHER			
174	2401-035	METAL WASHER			
175	2240-364	HOLDER, AC CORD			
178	2240-R0101	HOLDER, WIRING (X10)			
179	2240-7375	HOLDER, FRONT PCB			
180	2651-2101736	SPRING, POWER			
181	2240-7374	HOLDER, FRONT PCB			
184	2218-R0130	BRACKET, FIX, WIRING			
185	2459-3003511	PLASTIC RIVET, METAL			
187	2240-7373	HOLDER, POWER SWITCH			

PCB-1 Main P.C.Board



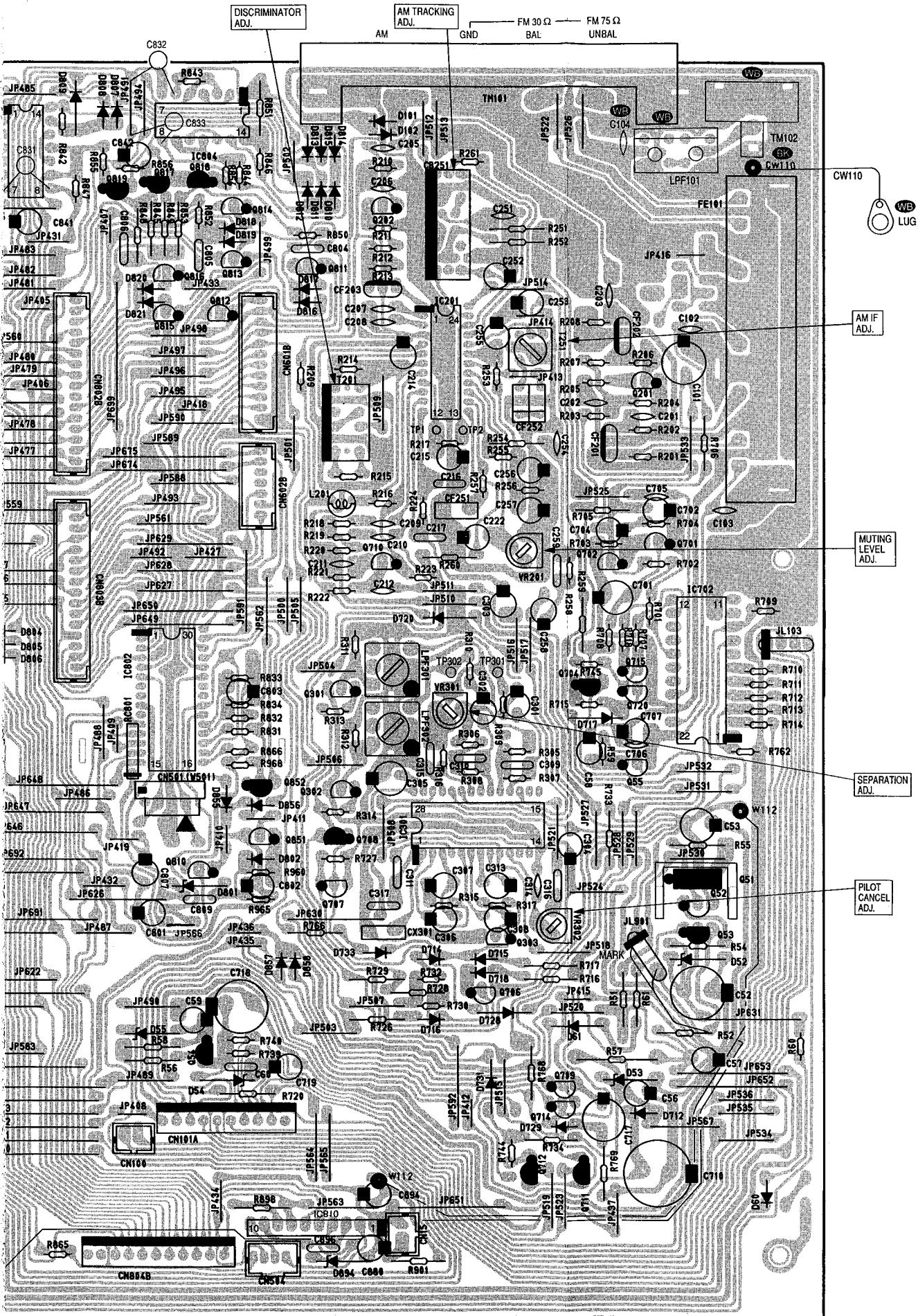
4221-0033

PCB-1 Main P.C.Board
PREOUT SYSTEM A PREOUT SYSTEM B



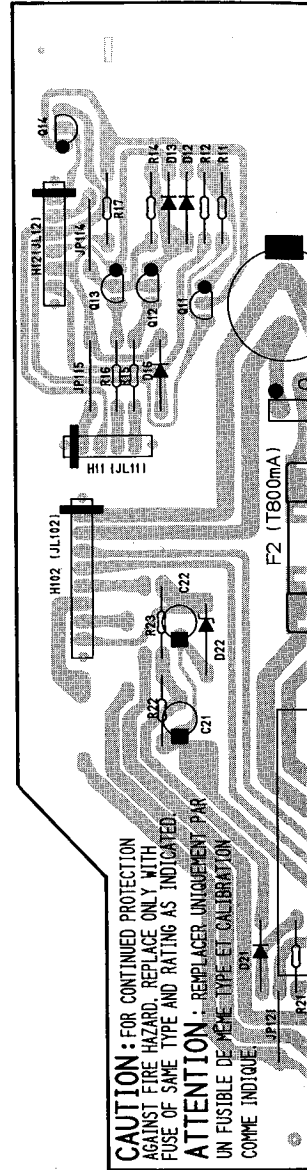
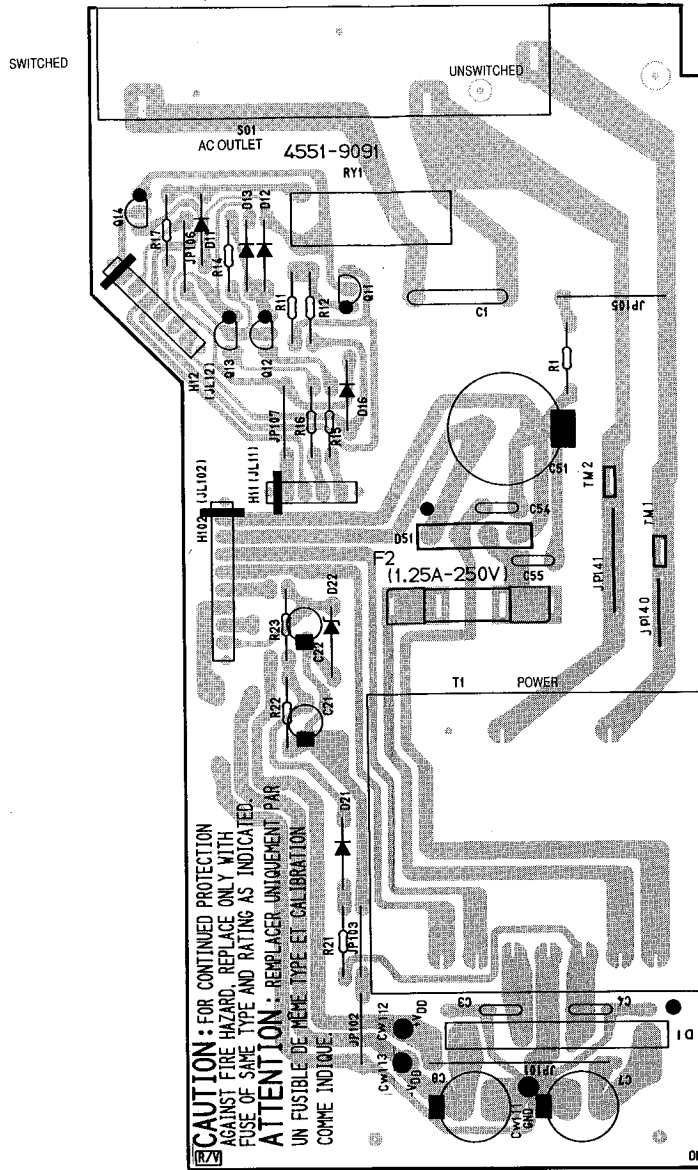
◆ ABCDEFGHJKLMNPQRSTU

2221-0023

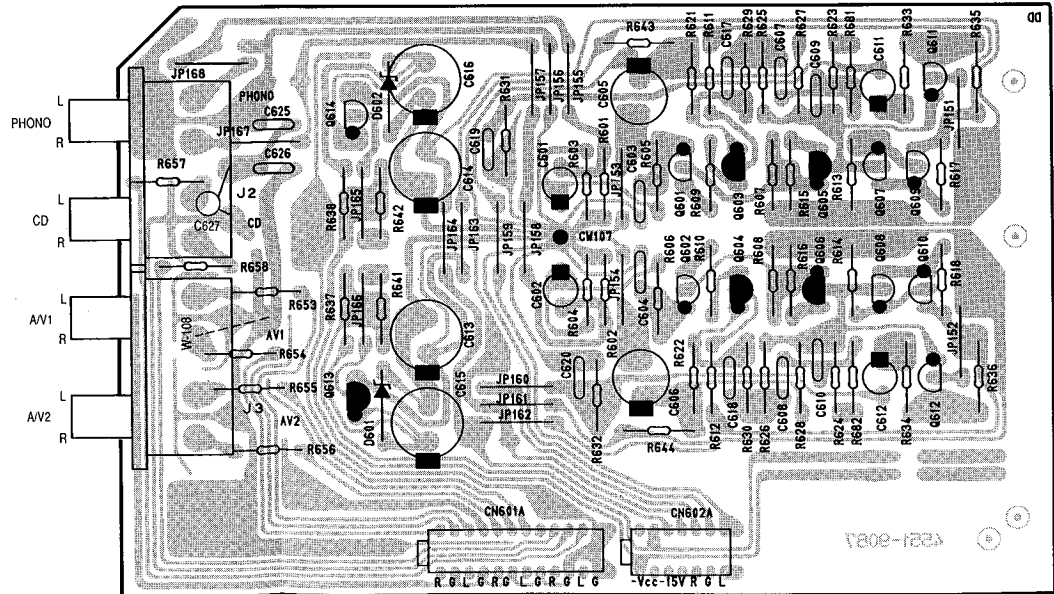


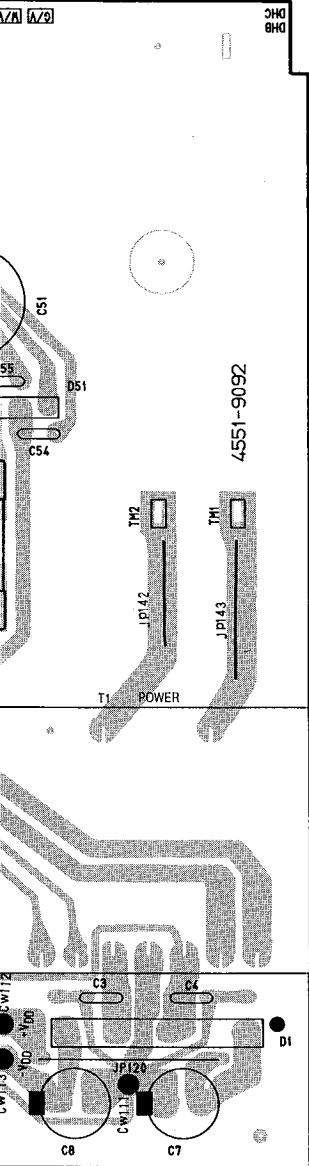
PCB-9 Power Supply P.C.Board BK

PCB-9 Power Supply P.C.

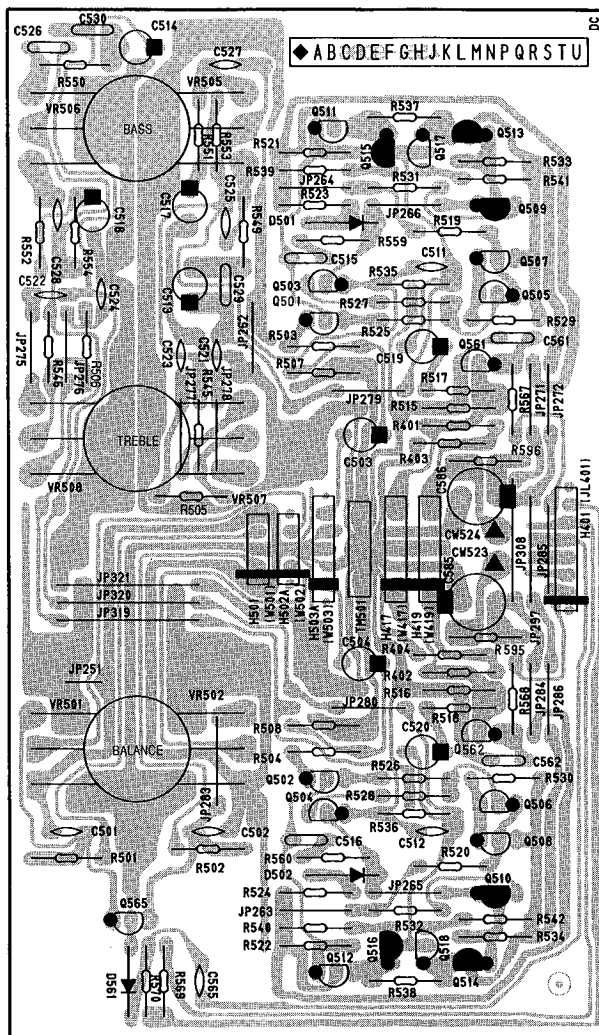


PCB-2 Equalizer P.C.Board

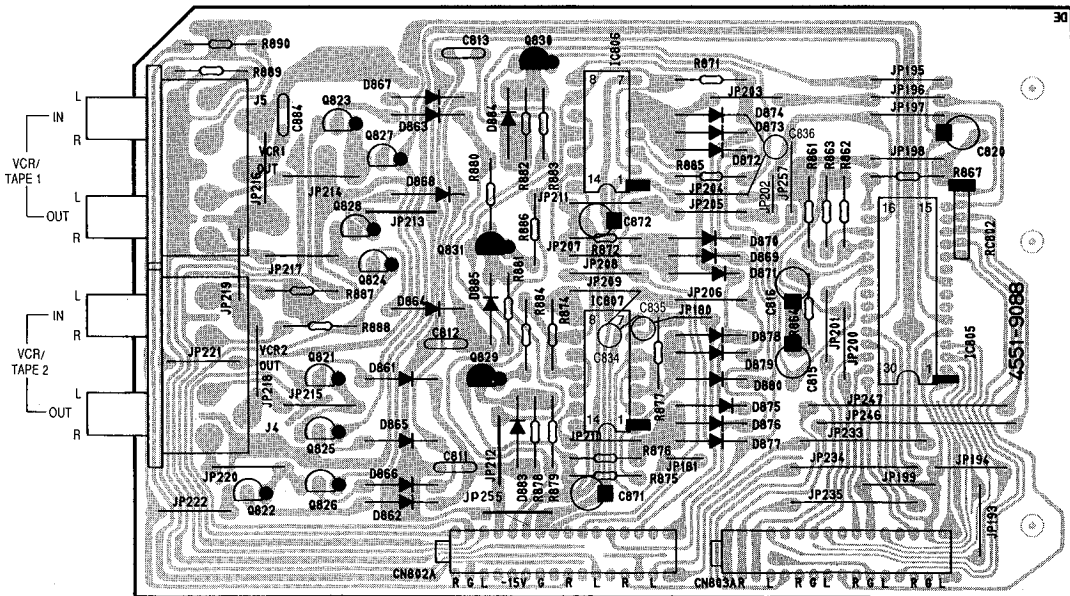




PCB-7 Tone Control P.C.Board



PCB-3 Monitor P.C.Board



ELECTRICAL PARTS LIST

Ser. No. Ref. No. Part No. Description

PCB-1 MAIN P.C. BOARD

CAPACITORS

657	C5	5341-478W0955	CAP, ELE 4700μ
657	C6	5341-478W0955	CAP, ELE 4700μ
677	C23	5345-227B041	CAP, MINI ELE 220μ/10V
485	C52	5345-107C041	CAP, MINI ELE 100μ/16V
483	C53	5345-478D041	CAP, MINI ELE 47μ/25V
484	C56	5345-107B041	CAP, MINI ELE 100μ/10V
483	C57	5345-478D041	CAP, MINI ELE 47μ/25V
483	C58	5345-478D041	CAP, MINI ELE 47μ/25
482	C59	5345-106F041	CAP, MINI ELE 10μ/50V
481	C60	5354-104593	CAP, MYL .1μ
323	C101	5345-107C041	CAP, MINI ELE 100μ/16V
324	C102	5361-223Z921	CAP, CER .022μ
325	C103	5361-150J917	CAP, CER 15P
053B	C104	5361-220JCH	CAP, CER 22P
337	C201	5361-223Z921	CAP, CER .022μ
337	C202	5361-223Z921	CAP, CER .022μ
338	C203	5361-223ZF	CAP, CER .022μ
337	C205	5361-223Z921	CAP, CER .022μ
337	C206	5361-223Z921	CAP, CER .022μ
337	C207	5361-223Z921	CAP, CER .022μ
337	C208	5361-223Z921	CAP, CER .022μ
337	C209	5361-223Z921	CAP, CER .022μ
337	C210	5361-223Z921	CAP, CER .022μ
337	C211	5361-223Z921	CAP, CER .022μ
337	C212	5361-223Z921	CAP, CER .022μ
340	C214	5345-106F041	CAP, MINI ELE 10μ/50V
341	C215	5345-105F041	CAP, MINI ELE 1μ/50V
339	C216	5359-1015851	CAP, PPP 100P
336	C217	5359-1515851	CAP, PPP 150P
365	C222	5345-224F041	CAP, MINI ELE .22μ/50V
361	C251	5361-473ZF	CAP, CER .047μ
363	C252	5345-106F041	CAP, MINI ELE 10μ/50V
363	C253	5345-106F041	CAP, MINI ELE 10μ/50V
362	C254	5361-472M919	CAP, CER 4700P
364	C255	5345-475F041	CAP, MINI ELE 4.7μ/50V
364	C256	5345-475F041	CAP, MINI ELE 4.7μ/50V
341	C257	5345-105F041	CAP, MINI ELE 1μ/50V
341	C258	5345-105F041	CAP, MINI ELE 1μ/50V
366	C259	5359-1025851	CAP, PPP 1000P
391	C301	5345-225F041	CAP, MINI ELE 2.2μ/50V
391	C302	5345-225F041	CAP, MINI ELE 2.2μ/50V
394	C303	5345-226D041	CAP, MINI ELE 22μ/25V
392	C3-4	5345-476C041	CAP, MINI ELE 47μ/16V
392	C305	5345-476C041	CAP, MINI ELE 47μ/16V
395	C306	5345-S19FM224	CAP, MINI ELE .22μ/50V
396	C307	5345-S19FM474	CAP, MINI ELE .47μ/50V
393	C308	5345-105F041	CAP, MINI ELE 1μ/50V
389	C309	5359-3315851	CAP, PPP 330P
389B	C309	5359-1815851	CAP, PPP 180P
389	C310	5359-3315851	CAP, PPP 330P
389B	C310	5359-1815851	CAP, PPP 180P
390	C311	5354-473593	CAP, MYL .047μ
393	C313	5345-105F041	CAP, MINI ELE 1μ/50V
398	C314	5361-103M919	CAP, CER .01μ
397	C315	5359-4705851	CAP, PPP 47P
398	C316	5361-103M919	CAP, CER .01μ
399	C317	5359-1015851	CAP, PPP 100P
641	C401	5345-S19BM476	CAP, MINI ELE 47μ/10V
641	C402	5345-S19BM476	CAP, MINI ELE 47μ/10V
642	C403	5359-1515851	CAP, PPP 150P
642	C404	5359-1515851	CAP, PPP 150P
537	C481	5345-107C041	CAP, MINI ELE 100μ/16V
537	C482	5345-107C041	CAP, MINI ELE 100μ/16V
537	C483	5345-107C041	CAP, MINI ELE 100μ/16V
537	C484	5345-107C041	CAP, MINI ELE 100μ/16V
626	C581	5345-337D041	CAP, MINI ELE 330μ/25V
626	C582	5345-337D041	CAP, MINI ELE 330μ/25V
626	C583	5345-337D041	CAP, MINI ELE 330μ/25V
626	C584	5345-337D041	CAP, MINI ELE 330μ/25V

Ser. No.	Ref. No.	Part No.	Description
420	C701	5345-227C041	CAP, MINI ELE 220μ/16V
424	C702	5345-S19FM474	CAP, MINI ELE .47μ/50V
421	C704	5345-S19FM684	CAP, MINI ELE .68μ/50V
428	C705	5361-223Z921	CAP, CER .022μ
429	C706	5361-102K918	CAP, CER 1000P
422	C707	5345-478D041	CAP, MINI ELE 47μ/25V
423	C710	5345-338A041	CAP, MINI ELE 330μ/6.3V
425	C717	5345-107C041	CAP, MINI ELE 100μ/16V
426	C718	5345-227D041	CAP, MINI ELE 220μ/25V
427	C719	5345-106F041	CAP, MINI ELE 10μ/50V
730	C801	5345-106F041	CAP, MINI ELE 10μ/50V
724	C802	5345-475F041	CAP, MINI ELE 4.7μ/50V
731	C803	5345-104F041	CAP, MINI ELE 1μ/50V
725	C804	5354-104593	CAP, MYL .1μ
725	C805	5354-104593	CAP, MYL .1μ
725	C806	5354-104593	CAP, MYL .1μ
728	C807	5345-106F041	CAP, MINI ELE 10μ/50V
726	C809	5354-104593	CAP, MYL .1μ
744	C831	5361-R02FZ103	CAP, CER .01μ
744	C832	5361-R02FZ103	CAP, CER .01μ
744	C833	5361-R02FZ103	CAP, CER .01μ
729	C841	5345-106F041	CAP, MINI ELE 10μ/50V
729	C842	5345-106F041	CAP, MINI ELE 10μ/50V
798	C880	5345-475F041	CAP, MINI ELE 4.7μ/50V
829	C881	5345-477C041	CAP, MINI ELE 470μ/16V
829	C882	5345-477C041	CAP, MINI ELE 470μ/16V
793	C883	5354-104593	CAP, MYL .1μ
727	C890	5354-104593	CAP, MYL .1μ
794	C891	5361-101JCH	CAP, CER 100P
794	C892	5361-101JCH	CAP, CER 100P
796	C893	5345-224F041	CAP, MINI ELE .22μ/50V
795	C894	5345-106F041	CAP, MINI ELE 10μ/50
792	C896	5359-1035851	CAP, PPP .01μ
799	C897	5345-108A041	CAP, MINI ELE 1000μ/6.3V
797	C898	5345-106F041	CAP, MINI ELE 10μ/50V
838	C923	5345-107C0	CAP, MINI ELE 100μ/16V
837	C925	5345-337C041	CAP, MINI ELE 330μ/16V

RESISTORS

Ser. No.	Ref. No.	Part No.	Description
685	R24	5130-R030J472	RES, CBN 1/2P 4.7K
686	R25	5130-R030J823	RES, CBN 1/2P 82K
686	R26	5130-R030J683	RES, CBN 1/2P 68K
688	R27	5130-R030J333	RES, CBN 1/2P 33K
689	R28	5130-R030J473	RES, CBN 1/2P 47K
689	R29	5130-R030J473	RES, CBN 1/2P 47K
680	R30	5130-R030J223	RES, CBN 1/2P 22K
679	R31	5130-R030J102	RES, CBN 1/2P 1K
679	R32	5130-R030J102	RES, CBN 1/2P 1K
680	R33	5130-R030J223	RES, CBN 1/2P 22K
680	R34	5130-R030J223	RES, CBN 1/2P 22K
681	R35	5130-R030J104	RES, CBN 1/2P 100K
682	R36	5130-R030J224	RES, CBN 1/2P 22K
681	R39	5130-R030J104	RES, CBN 1/2P 100K
493	△ R51	5102-2R25116	RES, FUSE 2.2
486	R52	5130-R030J272	RES, CBN 1/2P 2.7K
487	R54	5130-R030J101	RES, CBN 1/2P 100
488	R55	5130-R030J331	RES, CBN 1/2P 100
489	△ R56	5102-3304713	RES, FUSE 33
492	R57	5171-221593	RES, MTL 1 220
490	R58	5130-R030J472	RES, CBN 1/2P 4.7K
491	R59	5130-R010J102	RES, CBN 1/6P 1K
683	R60	5130-R010J222	RES, CBN 1/6P 2.2K
684	R61	5130-R030J473	RES, CBN 1/2P 47K
345	R201	5130-R010J331	RES, CBN 1/6P 330
346	R201	5130-R010J391	RES, CBN 1/6P 390
350	R203	5130-R010J102	RES, CBN 1/6P 1K
347	R204	5130-R010J154	RES, CBN 1/6P 150K
348	R205	5130-R010J100	RES, CBN 1/6P 10
349	R206	5130-R010J101	RES, CBN 1/6P 100
346	R207	5130-R010J391	RES, CBN 1/6P 390
346	R208	5130-R010J391	RES, CBN 1/6P 390
350	R209	5130-R010J102	RES, CBN 1/6P 1K
347	R210	5130-R010J154	RES, CBN 1/6P 150K
348	R211	5130-R010J100	RES, CBN 1/6P 10
349	R212	5130-R010J101	RES, CBN 1/6P 100
346	R213	5130-R010J391	RES, CBN 1/6P 390
351	R214	5130-R010J103	RES, CBN 1/6P 10K
352	R215	5130-R010J332	RES, CBN 1/6P 3.3K

Ser. No.	Ref. No.	Part No.	Description
353	R216	5130-R010J472	RES, CBN 1/6P 4.7K
354	R217	5130-R010J153	RES, CBN 1/6P 15K
354B	R217	5130-R010J273	RES, CBN 1/6P 27K
353	R218	5130-R010J472	RES, CBN 1/6P 4.7K
344	R219	5130-R010J104	RES, CBN 1/6P 100K
343	R220	5130-R010J154	RES, CBN 1/6P 150
350	R221	5130-R010J102	RES, CBN 1/6P 1K
353	R222	5130-R010J472	RES, CBN 1/6P 4.7K
344	R223	5130-R010J104	RES, CBN 1/6P 100K
342	R224	5130-R010J182	RES, CBN 1/6P 1.8K
342	R224	5130-R010J102	RES, CBN 1/6P 1K
367	R251	5130-R030J334	RES, CBN 1/2P 330K
368	R252	5130-R030J104	RES, CBN 1/2P 100K
370	R253	5130-R010J103	RES, CBN 1/6P 10K
369	R254	5130-R030J102	RES, CBN 1/2P 1K
370	R255	5130-R010J103	RES, CBN 1/6P 10K
371	R256	5130-R010J223	RES, CBN 1/6P 22K
372	R257	5130-R010J820	RES, CBN 1/6P 82
374	R258	5130-R010J683	RES, CBN 1/6P 68K
373	R259	5130-R030J821	RES, CBN 1/2P 820
375	R260	5130-R030J103	RES, CBN 1/2P 10K
376	R261	5130-R010J470	RES, CBN 1/6P 47
401	R305	5130-R010J124	RES, CBN 1/6P 120K
401	R306	5130-R010J124	RES, CBN 1/6P 120K
402	R307	5130-R010J224	RES, CBN 1/6P 220K
402B	R307	5130-R010J274	RES, CBN 1/6P 270K
402	R308	5130-R010J224	RES, CBN 1/6P 220K
402B	R308	5130-R010J274	RES, CBN 1/6P 270K
403	R309	5130-R010J272	RES, CBN 1/6P 2.7K
403	R310	5130-R010J272	RES, CBN 1/6P 2.7K
400	R311	5130-R010J472	RES, CBN 1/6P 4.7K
400	R312	5130-R010J472	RES, CBN 1/6P 4.7K
404	R313	5130-R010J103	RES, CBN 1/6P 10K
404	R314	5130-R010J103	RES, CBN 1/6P 10K
400	R315	5130-R010J472	RES, CBN 1/6P 4.7K
404	R316	5130-R010J103	RES, CBN 1/6P 10K
404	R317	5130-R010J103	RES, CBN 1/6P 10K
645	R405	5130-R030J153	RES, CBN 1/2P 15K
645	R406	5130-R030J153	RES, CBN 1/2P 15K
646	R407	5130-R030J154	RES, CBN 1/2P 150K
646	R408	5130-R030J154	RES, CBN 1/2P 150K
644	R409	5130-R030J331	RES, CBN 1/2P 330
644	R410	5130-R030J331	RES, CBN 1/2P 330
643	R411	5130-R030J104	RES, CBN 1/2P 100K
643	R412	5130-R030J104	RES, CBN 1/2P 100K
538	R481	5130-R030J182	RES, CBN 1/2P 1.8K
538	R482	5130-R030J182	RES, CBN 1/2P 1.8K
539	R483	5130-R030J101	RES, CBN 1/2P 100
539	R484	5130-R030J101	RES, CBN 1/2P 100
540	△ R485	5102-3304713	RES, FUSE 33
540	△ R486	5102-3304713	RES, FUSE 33
629	R571	5130-R030J101	RES, CBN 1/2P 100
629	R572	5130-R030J101	RES, CBN 1/2P 100
678	R580	5130-R030J104	RES, CBN 1/2P 100K
630	△ R581	5102-1005116	RES, FUSE 10
630	△ R582	5102-1005116	RES, FUSE 10
627	R583	5130-R030J272	RES, CBN 1/2P 2.7K
628	R585	5130-R030J331	RES, CBN 1/2P 330
628	R586	5130-R030J331	RES, CBN 1/2P 330
431	R701	5130-R010J103	RES, CBN 1/6P 10K
431	R702	5130-R010J103	RES, CBN 1/6P 10K
432	R703	5130-R010J473	RES, CBN 1/6P 47K
433	R704	5130-R010J222	RES, CBN 1/6P 2.2K
440	R705	5130-R030J102	RES, CBN 1/2P 1K
440	R706	5130-R030J102	RES, CBN 1/2P 1K
431	R707	5130-R010J103	RES, CBN 1/6P 10K
434	R708	5130-R010J102	RES, CBN 1/6P 1K
436	R709	5130-R010J104	RES, CBN 1/6P 100K
433	R710	5130-R010J222	RES, CBN 1/6P 2.2K
433	R711	5130-R010J222	RES, CBN 1/6P 2.2K
433	R712	5130-R010J222	RES, CBN 1/6P 2.2K
433	R713	5130-R010J222	RES, CBN 1/6P 2.2K
435	R714	5130-R010J472	RES, CBN

ELECTRICAL PARTS LIST

Ser. No.	Ref. No.	Part No.	Description
PCB-1 MAIN P.C. BOARD			
CAPACITORS			
657	C5	5341-478W0955	CAP, ELE 4700 μ
657	C6	5341-478W0955	CAP, ELE 4700 μ
677	C23	5345-227B041	CAP, MINI ELE 220 μ /10V
485	C52	5345-107C041	CAP, MINI ELE 100 μ /16V
483	C53	5345-476D041	CAP, MINI ELE 47 μ /25V
484	C56	5345-107B041	CAP, MINI ELE 100 μ /10V
483	C57	5345-476D041	CAP, MINI ELE 47 μ /25V
483	C58	5345-476D041	CAP, MINI ELE 47 μ /25
482	C59	5345-106F041	CAP, MINI ELE 10 μ /50V
481	C60	5354-104593	CAP, MYL .1 μ
323	C101	5345-107C041	CAP, MINI ELE 100 μ /16V
324	C102	5361-223Z921	CAP, CER .022 μ
325	C103	5361-150J917	CAP, CER 15P
053B	C104	5361-220JCH	CAP, CER 22P $\text{\textcircled{M}}$
337	C201	5361-223Z921	CAP, CER .022 μ
337	C202	5361-223Z921	CAP, CER .022 μ
338	C203	5361-223ZF	CAP, CER .022 μ
337	C205	5361-223Z921	CAP, CER .022 μ
337	C206	5361-223Z921	CAP, CER .022 μ
337	C207	5361-223Z921	CAP, CER .022 μ
337	C208	5361-223Z921	CAP, CER .022 μ
337	C209	5361-223Z921	CAP, CER .022 μ
337	C210	5361-223Z921	CAP, CER .022 μ
337	C211	5361-223Z921	CAP, CER .022 μ
337	C212	5361-223Z921	CAP, CER .022 μ
340	C214	5345-106F041	CAP, MINI ELE 10 μ /50V
341	C215	5345-105F041	CAP, MINI ELE 1 μ /50V
339	C216	5359-1015851	CAP, PPP 100P
336	C217	5359-1515851	CAP, PPP 150P
365	C222	5345-224F041	CAP, MINI ELE .22 μ /50V
361	C251	5361-473ZF	CAP, CER .047 μ
363	C252	5345-106F041	CAP, MINI ELE 10 μ /50V
363	C253	5345-106F041	CAP, MINI ELE 10 μ /50V
362	C254	5361-472M919	CAP, CER 4700P
364	C255	5345-475F041	CAP, MINI ELE 4.7 μ /50V
364	C256	5345-475F041	CAP, MINI ELE 4.7 μ /50V
341	C257	5345-105F041	CAP, MINI ELE 1 μ /50V
341	C258	5345-105F041	CAP, MINI ELE 1 μ /50V
366	C259	5359-1025851	CAP, PPP 1000P
391	C301	5345-225F041	CAP, MINI ELE 2.2 μ /50V
391	C302	5345-225F041	CAP, MINI ELE 2.2 μ /50V
394	C303	5345-226D041	CAP, MINI ELE 22 μ /25V
392	C3-4	5345-476C041	CAP, MINI ELE 47 μ /16V
392	C305	5345-476C041	CAP, MINI ELE 47 μ /16V
395	C306	5345-S19FM224	CAP, MINI ELE 22 μ /50V
396	C307	5345-S19FM474	CAP, MINI ELE 47 μ /50V
393	C308	5345-105F041	CAP, MINI ELE 1 μ /50V
389	C309	5359-3315851	CAP, PPP 330P $\text{\textcircled{M}}$
389B	C309	5359-1815851	CAP, PPP 180P $\text{\textcircled{M}}$
389	C310	5359-3315851	CAP, PPP 330P $\text{\textcircled{M}}$
389B	C310	5359-1815851	CAP, PPP 180P $\text{\textcircled{M}}$
390	C311	5354-473593	CAP, MYL .047 μ
393	C313	5345-105F041	CAP, MINI ELE 1 μ /50V
398	C314	5361-103M919	CAP, CER .01 μ
397	C315	5359-4705851	CAP, PPP 47P
398	C316	5361-103M919	CAP, CER .01 μ
399	C317	5359-1015851	CAP, PPP 100P
641	C401	5345-S19BM476	CAP, MINI ELE 47 μ /10V
641	C402	5345-S19BM476	CAP, MINI ELE 47 μ /10V
642	C403	5359-1515851	CAP, PPP 150P
642	C404	5359-1515851	CAP, PPP 150P
537	C481	5345-107C041	CAP, MINI ELE 100 μ /16V
537	C482	5345-107C041	CAP, MINI ELE 100 μ /16V
537	C483	5345-107C041	CAP, MINI ELE 100 μ /16V
537	C484	5345-107C041	CAP, MINI ELE 100 μ /16V
626	C581	5345-337D041	CAP, MINI ELE 330 μ /25V
626	C582	5345-337D041	CAP, MINI ELE 330 μ /25V
626	C583	5345-337D041	CAP, MINI ELE 330 μ /25V
626	C584	5345-337D041	CAP, MINI ELE 330 μ /25V

Ser. No.	Ref. No.	Part No.	Description
420	C701	5345-227C041	CAP, MINI ELE 220 μ /16V
424	C702	5345-S19FM474	CAP, MINI ELE 47 μ /50V
421	C704	5345-S19FM684	CAP, MINI ELE .68 μ /50V
428	C705	5361-223Z921	CAP, CER .022 μ
429	C706	5361-102K918	CAP, CER 1000P
422	C707	5345-476D041	CAP, MINI ELE 47 μ /25V
423	C710	5345-338A041	CAP, MINI ELE 3300 μ /6.3V
425	C717	5345-107C041	CAP, MINI ELE 100 μ /16V
426	C718	5345-227D041	CAP, MINI ELE 220 μ /25V
427	C719	5345-106F041	CAP, MINI ELE 10 μ /50V
730	C801	5345-106F041	CAP, MINI ELE 10 μ /50V
724	C802	5345-475F041	CAP, MINI ELE 4.7 μ /50V
731	C803	5345-104F041	CAP, MINI ELE 1 μ /50V
725	C804	5354-104593	CAP, MYL .1 μ
725	C805	5354-104593	CAP, MYL .1 μ
725	C806	5354-104593	CAP, MYL .1 μ
728	C807	5345-106F041	CAP, MINI ELE 10 μ /50V
726	C809	5354-104593	CAP, MYL .1 μ
744	C831	5361-R02FZ103	CAP, CER .01 μ
744	C832	5361-R02FZ103	CAP, CER .01 μ
744	C833	5361-R02FZ103	CAP, CER .01 μ
729	C841	5345-106F041	CAP, MINI ELE 10 μ /50V
729	C842	5345-106F041	CAP, MINI ELE 10 μ /50V
798	C880	5345-475F041	CAP, MINI ELE 4.7 μ /50V
829	C881	5345-477C041	CAP, MINI ELE 470 μ /16V
829	C882	5345-477C041	CAP, MINI ELE 470 μ /16V
793	C883	5354-104593	CAP, MYL .1 μ
727	C890	5354-104593	CAP, MYL .1 μ
794	C891	5361-101JCH	CAP, CER 100P
794	C892	5361-101JCH	CAP, CER 100P
796	C893	5345-224F041	CAP, MINI ELE .22 μ /50V
795	C894	5345-106F041	CAP, MINI ELE 10 μ /50
792	C896	5359-1035851	CAP, PPP .01 μ
799	C897	5345-108A041	CAP, MINI ELE 1000 μ /6.3V
797	C898	5345-106F041	CAP, MINI ELE 10 μ /50V
838	C923	5345-107C0	CAP, MINI ELE 100 μ /16V
837	C925	5345-337C041	CAP, MINI ELE 330 μ /16V

RESISTORS

685	R24	5130-R030J472	RES, CBN 1/2P 4.7K
686	R25	5130-R030J823	RES, CBN 1/2P 82K
686	R26	5130-R030J683	RES, CBN 1/2P 68K
688	R27	5130-R030J333	RES, CBN 1/2P 33K
689	R28	5130-R030J473	RES, CBN 1/2P 47K
689	R29	5130-R030J473	RES, CBN 1/2P 47K
680	R30	5130-R030J223	RES, CBN 1/2P 22K
679	R31	5130-R030J102	RES, CBN 1/2P 1K
679	R32	5130-R030J102	RES, CBN 1/2P 1K
680	R33	5130-R030J223	RES, CBN 1/2P 22K
680	R34	5130-R030J223	RES, CBN 1/2P 22K
681	R35	5130-R030J104	RES, CBN 1/2P 100K
682	R36	5130-R030J224	RES, CBN 1/2P 22K
681	R39	5130-R030J104	RES, CBN 1/2P 100K
493	Δ R51	5102-2R25116	RES, FUSE 2.2
486	R52	5130-R030J272	RES, CBN 1/2P 2.7K
487	R54	5130-R030J101	RES, CBN 1/2P 100
488	R55	5130-R030J331	RES, CBN 1/2P 100
489	Δ R56	5102-3304713	RES, FUSE 33
492	R57	5171-221593	RES, MTL 1 220
490	R58	5130-R030J472	RES, CBN 1/2P 4.7K
491	R59	5130-R010J102	RES, CBN 1/6P 1K
683	R60	5130-R010J222	RES, CBN 1/6P 2.2K
684	R61	5130-R030J473	RES, CBN 1/2P 47K
345	R201	5130-R010J331	RES, CBN 1/6P 330
346	R201	5130-R010J391	RES, CBN 1/6P 390
350	R203	5130-R010J102	RES, CBN 1/6P 1K
347	R204	5130-R010J154	RES, CBN 1/6P 150K
348	R205	5130-R010J100	RES, CBN 1/6P 10
349	R206	5130-R010J101	RES, CBN 1/6P 100
346	R207	5130-R010J391	RES, CBN 1/6P 390
346	R208	5130-R010J391	RES, CBN 1/6P 390
350	R209	5130-R010J102	RES, CBN 1/6P 1K
347	R210	5130-R010J154	RES, CBN 1/6P 150K
348	R211	5130-R010J100	RES, CBN 1/6P 10
349	R212	5130-R010J101	RES, CBN 1/6P 100
346	R213	5130-R010J391	RES, CBN 1/6P 390
351	R214	5130-R010J103	RES, CBN 1/6P 10K
352	R215	5130-R010J332	RES, CBN 1/6P 3.3K

Ser. No.	Ref. No.	Part No.	Description	Ser. No.	Ref. No.	Part No.	Description
353	R216	5130-R010J472	RES, CBN 1/6P 4.7K	438	R727	5130-R010J473	RES, CBN 1/6P 47K
354	R217	5130-R010J153	RES, CBN 1/6P 15K ^{EX}	443	R728	5130-R030J223	RES, CBN 1/2P 22K
354B	R217	5130-R010J273	RES, CBN 1/6P 27K ^{WB}	441	R729	5130-R030J103	RES, CBN 1/2P 10K
353	R218	5130-R010J472	RES, CBN 1/6P 4.7K	430	R730	5130-R010J223	RES, CBN 1/6P 22K
344	R219	5130-R010J104	RES, CBN 1/6P 100K	431	R732	5130-R010J103	RES, CBN 1/6P 10K
343	R220	5130-R010J154	RES, CBN 1/6P 150	444	R733	5130-R030J104	RES, CBN 1/2P 100K
350	R221	5130-R010J102	RES, CBN 1/6P 1K	441	R734	5130-R030J103	RES, CBN 1/2P 10K
353	R222	5130-R010J472	RES, CBN 1/6P 4.7K	436	R739	5130-R010J104	RES, CBN 1/6P 100K
344	R223	5130-R010J104	RES, CBN 1/6P 100K	436	R740	5130-R010J104	RES, CBN 1/6P 100K
342	R224	5130-R010J182	RES, CBN 1/6P 1.8K ^{EX}	436	R744	5130-R010J104	RES, CBN 1/6P 100K
342	R224	5130-R010J102	RES, CBN 1/6P 1K ^{WB}	436	R745	5130-R010J273	RES, CBN 1/6P 27K
367	R251	5130-R030J334	RES, CBN 1/2P 330K	439	R762	5130-R010J332	RES, CBN 1/6P 3.3K
368	R252	5130-R030J104	RES, CBN 1/2P 100K	441	R766	5130-R030J103	RES, CBN 1/2P 10K
370	R253	5130-R010J103	RES, CBN 1/6P 10K	442	R768	5130-R030J472	RES, CBN 1/2P 4.7K
369	R254	5130-R030J102	RES, CBN 1/2P 1K	445	R769	5130-R030J332	RES, CBN 1/2P 3.3K
370	R255	5130-R010J103	RES, CBN 1/6P 10K	741	R831	5130-R010J224	RES, CBN 1/6P 220K
371	R256	5130-R010J223	RES, CBN 1/6P 22K	737	R832	5130-R010J104	RES, CBN 1/6P 100K
372	R257	5130-R010J820	RES, CBN 1/6P 82	742	R833	5130-R010J274	RES, CBN 1/6P 270K
374	R258	5130-R010J683	RES, CBN 1/6P 68K	737	R834	5130-R010J104	RES, CBN 1/6P 100K
373	R259	5130-R030J821	RES, CBN 1/2P 820	737	R842	5130-R010J104	RES, CBN 1/6P 100K
375	R260	5130-R030J103	RES, CBN 1/2P 10K	739	R843	5130-R010J473	RES, CBN 1/6P 47K
376	R261	5130-R010J470	RES, CBN 1/6P 47	739	R844	5130-R010J473	RES, CBN 1/6P 47K
401	R305	5130-R010J124	RES, CBN 1/6P 120K	734	R845	5130-R030J224	RES, CBN 1/2P 220K
401	R306	5130-R010J124	RES, CBN 1/6P 120K	737	R846	5130-R010J104	RES, CBN 1/6P 100K
402	R307	5130-R010J224	RES, CBN 1/6P 220K ^{EX}	739	R847	5130-R010J473	RES, CBN 1/6P 47K
402B	R307	5130-R010J274	RES, CBN 1/6P 270K ^{WB}	733	R848	5130-R030J105	RES, CBN 1/2P 1M
402	R308	5130-R010J224	RES, CBN 1/6P 220K ^{EX}	734	R849	5130-R030J224	RES, CBN 1/2P 220K
402B	R308	5130-R010J274	RES, CBN 1/6P 270K ^{WB}	738	R850	5130-R010J105	RES, CBN 1/6P 100K
403	R309	5130-R010J272	RES, CBN 1/6P 2.7K	732	R851	5130-R030J104	RES, CBN 1/2P 100K
403	R310	5130-R010J272	RES, CBN 1/6P 2.7K	738	R852	5130-R010J105	RES, CBN 1/6P 1M
400	R311	5130-R010J472	RES, CBN 1/6P 4.7K	734	R853	5130-R030J224	RES, CBN 1/2P 220K
400	R312	5130-R010J472	RES, CBN 1/6P 4.7K	741	R854	5130-R010J224	RES, CBN 1/6P 220K
404	R313	5130-R010J103	RES, CBN 1/6P 10K	741	R855	5130-R010J224	RES, CBN 1/6P 220K
404	R314	5130-R010J103	RES, CBN 1/6P 10K	741	R856	5130-R010J224	RES, CBN 1/6P 220K
400	R315	5130-R010J472	RES, CBN 1/6P 4.7K	737	R865	5130-R010J104	RES, CBN 1/6P 100K
404	R316	5130-R010J103	RES, CBN 1/6P 10K	736	R866	5130-R010J100	RES, CBN 1/6P 10
404	R317	5130-R010J103	RES, CBN 1/6P 10K	804	R891	5130-R010J105	RES, CBN 1/6P 1M
645	R405	5130-R030J153	RES, CBN 1/2P 15K	739	R892	5130-R010J473	RES, CBN 1/6P 47K
645	R406	5130-R030J153	RES, CBN 1/2P 15K	807	R893	5130-R030J223	RES, CBN 1/2P 22K
646	R407	5130-R030J154	RES, CBN 1/2P 150K	807	R894	5130-R030J223	RES, CBN 1/2P 22K
646	R408	5130-R030J154	RES, CBN 1/2P 150K	739	R895	5130-R010J473	RES, CBN 1/6P 47K
644	R409	5130-R030J331	RES, CBN 1/2P 330	800	R896	5130-R030J472	RES, CBN 1/2P 4.7K
644	R410	5130-R030J331	RES, CBN 1/2P 330	802	R897	5130-R010J472	RES, CBN 1/6P 4.7K
643	R411	5130-R030J104	RES, CBN 1/2P 100K	808	△ R898	5102-2205116	RES, FUSE 22
643	R412	5130-R030J104	RES, CBN 1/2P 100K	743	R899	5130-R010J223	RES, CBN 1/6P 22K
538	R481	5130-R030J182	RES, CBN 1/2P 1.8K	805	R900	5130-R010J473	RES, CBN 1/6P 47K
538	R482	5130-R030J182	RES, CBN 1/2P 1.8K	803	R901	5130-R030J821	RES, CBN 1/2P 820
539	R483	5130-R030J101	RES, CBN 1/2P 100	830	R903	5130-R030J332	RES, CBN 1/2P 3.3K
539	R484	5130-R030J101	RES, CBN 1/2P 100	830	R904	5130-R030J332	RES, CBN 1/2P 3.3K
540	△ R485	5102-3304713	RES, FUSE 33	830	R905	5130-R030J332	RES, CBN 1/2P 3.3K
540	△ R486	5102-3304713	RES, FUSE 33	830	R906	5130-R030J332	RES, CBN 1/2P 3.3K
629	R571	5130-R030J101	RES, CBN 1/2P 100	732	R907	5130-R030J104	RES, CBN 1/2P 100K
629	R572	5130-R030J101	RES, CBN 1/2P 100	735	R908	5130-R030J222	RES, CBN 1/2P 2.2K
678	R580	5130-R030J104	RES, CBN 1/2P 100K	801	R909	5130-R030J473	RES, CBN 1/2P 47K
630	△ R581	5102-1005116	RES, FUSE 10	840	R910	5130-R010J104	RES, CBN 1/6P 100K
630	△ R582	5102-1005116	RES, FUSE 10	839	R917	5130-R030J104	RES, CBN 1/2P 100K
627	R583	5130-R030J272	RES, CBN 1/2P 2.7K	840	R918	5130-R010J104	RES, CBN 1/6P 100K
628	R585	5130-R030J331	RES, CBN 1/2P 330	840	R919	5130-R010J104	RES, CBN 1/6P 100K
628	R586	5130-R030J331	RES, CBN 1/2P 330	737	R960	5130-R010J104	RES, CBN 1/6P 100K
431	R701	5130-R010J103	RES, CBN 1/6P 10K	740	R965	5130-R010J222	RES, CBN 1/6P 2.2K
431	R702	5130-R010J103	RES, CBN 1/6P 10K	737	R968	5130-R010J104	RES, CBN 1/6P 100K
432	R703	5130-R010J473	RES, CBN 1/6P 47K	818	R969	5130-R030J473	RES, CBN 1/2P 47K
433	R704	5130-R010J222	RES, CBN 1/6P 2.2K	806	R971	5130-R010J223	RES, CBN 1/6P 22K
440	R705	5130-R030J102	RES, CBN 1/2P 1K	805	R972	5130-R010J473	RES, CBN 1/6P 47K
440	R706	5130-R030J102	RES, CBN 1/2P 1K				
431	R707	5130-R010J103	RES, CBN 1/6P 10K				
434	R708	5130-R010J102	RES, CBN 1/6P 1K	329	IC201	5653-LA1266	IC, LINEAR
436	R709	5130-R010J104	RES, CBN 1/6P 100K	381	IC301	5653-LA3450	IC, LINEAR
433	R710	5130-R010J222	RES, CBN 1/6P 2.2K	640	IC401	5653-NJM4565D	IC, LINEAR
433	R711	5130-R010J222	RES, CBN 1/6P 2.2K	640	IC402	5653-NJM4565D	IC, LINEAR
433	R712	5130-R010J222	RES, CBN 1/6P 2.2K	411	IC702	5654-TC9227P	IC, DIGITAL
433	R713	5130-R010J222	RES, CBN 1/6P 2.2K	711	IC802	5654-LC7818	IC, DIGITAL
435	R714	5130-R010J472	RES, CBN 1/6P 4.7K	712	IC803	5654-TC4011BP	IC, DIGITAL
437	R715	5130-R010J273	RES, CBN 1/6P 27K	712	IC804	5654-TC4011BP	IC, DIGITAL
441	R716	5130-R030J103	RES, CBN 1/2P 10K	783	IC808	5654-M761293P	IC, DIGITAL
441	R717	5130-R030J103	RES, CBN 1/2P 10K	784	IC809	5654-TC4514BP	IC, DIGITAL
431	R718	5130-R030J103	RES, CBN 1/6P 10K	785	IC810	5653-LB1641	IC, LINEAR
440	R720	5130-R030J102	RES, CBN 1/2P 1K	833	IC914	5654-TC4069UB	IC, DIGITAL
441	R726	5130-R030J103	RES, CBN 1/2P 10K				

INTEGRATED CIRCUITS

Ser. No.	Ref. No.	Part No.	Description
329	IC201	5653-LA1266	IC, LINEAR
381	IC301	5653-LA3450	IC, LINEAR
640	IC401	5653-NJM4565D	IC, LINEAR
640	IC402	5653-NJM4565D	IC, LINEAR
411	IC702	5654-TC9227P	IC, DIGITAL
711	IC802	5654-LC7818	IC, DIGITAL
712	IC803	5654-TC4011BP	IC, DIGITAL
712	IC804	5654-TC4011BP	IC, DIGITAL
783	IC808	5654-M761293P	IC, DIGITAL
784	IC809	5654-TC4514BP	IC, DIGITAL
785	IC810	5653-LB1641	IC, LINEAR
833	IC914	5654-TC4069UB	IC, DIGITAL

Ser. No.	Ref. No.	Part No.	Description	Ser. No.	Ref. No.	Part No.	Description
TRANSISTORS				DIODES			
672	Q21	5611-933S(R)	XISTOR, PNP R	676	D25	5631-1S2473	DIODE, DET
670	Q22	5613-1740S(R)	XISTOR, NPN R	676	D26	5631-1S2473	DIODE, DET
674	Q23	5611-970(BL)	XISTOR, PNP R	676	D27	5631-1S2473	DIODE, DET
673	Q24	5613-2240(BL)	XISTOR, NPN R	676	D28	5631-1S2473	DIODE, DET
675	Q25	5613-C124ES	XISTOR, NPN R	676	D29	5631-1S2473	DIODE, DET
675	Q26	5613-C124ES	XISTOR, NPN R	676	D30	5631-1S2473	DIODE, DET
669	Q27	5611-A124ES	XISTOR, PNP R	676	D31	5631-1S2473	DIODE, DET
675	Q28	5613-C124ES	XISTOR, NPN R	475	D52	5635-HZ12B2L	DIODE, ZENER
471	Q51	5612-1375	XISTOR, PNP A	476	D53	5635-HZ6B1L	DIODE, ZENER
472	Q52	5613-1740S(R)	XISTOR, NPN R	477	D54	5635-HZ6A2L	DIODE, ZENER
473	Q53	5611-A124ES	XISTOR, PNP R	478	D55	5635-HZ24-1L	DIODE, ZENER
474	Q54	5612-647(C)	XISTOR, PNP A	479	D60	5631-1SS133	DIODE, DET
472	Q55	5613-1740S(R)	XISTOR, NPN R	480	D61	5631-1S2473	DIODE, DET
330	Q201	5613-2058(N)or(P)	XISTOR, NPN R	322	D101	5631-1SS133	DIODE, DET
330	Q202	5613-2058(N)or(P)	XISTOR, NPN R	322	D102	5631-1SS133	DIODE, DET
382	Q301	5614-1450(T)	XISTOR, NPN A	536	D481	5635-HZ15-1L	DIODE, ZENER
382	Q302	5614-1450(T)	XISTOR, NPN A	536	D482	5635-HZ15-1L	DIODE, ZENER
383	Q303	5613-C124ES	XISTOR, NPN R	625	D581	5635-HZ20-1L	DIODE, ZENER
535	Q481	5614-667(C)	XISTOR, NPN A	625	D582	5635-HZ20-1L	DIODE, ZENER
534	Q482	5612-647(C)	XISTOR, PNP A	418	D712	5631-1SS133	DIODE, DET
671	Q563	5611-A124ES	XISTOR, PNP R	418	D714	5631-1SS133	DIODE, DET
621	Q581	5612-941(Q)	XISTOR, PNP A	418	D715	5631-1SS133	DIODE, DET
622	Q582	5614-1266(Q)	XISTOR, NPN A	418	D716	5631-1SS133	DIODE, DET
624	Q583	5613-2320L(F)	XISTOR, NPN R	419	D717	5631-1S2473	DIODE, DET
623	Q584	5611-999L(F)	XISTOR, PNP R	418	D718	5631-1SS133	DIODE, DET
412	Q701	561302240(BL)	XISTOR, NPN R	419	D720	5631-1S2473	DIODE, DET
413	Q702	5613-1740S(R)	XISTOR, NPN R	419	D728	5631-1S2473	DIODE, DET
416	Q704	5611-A124ES	XISTOR, PNP R	418	D729	5631-1SS133	DIODE, DET
414	Q706	5613-C124ES	XISTOR, NPN R	419	D731	5631-1S2473	DIODE, DET
413	Q707	5613-1740S(R)	XISTOR, NPN R	418	D733	5631-1SS133	DIODE, DET
416	Q708	5611-A124ES	XISTOR, PNP R	721	D801	5635-HZ12B2	DIODE, ZENER
415	Q709	5613-C144VS	XISTOR, NPN R	719	D802	5631-1SS133	DIODE, DET
413	Q710	5613-1740S(R)	XISTOR, NPN R	718	D804	5631-1S2473	DIODE, DET
416	Q711	5611-A124ES	XISTOR, PNP R	718	D805	5631-1S2473	DIODE, DET
417	Q712	5611-933S(R)	XISTOR, PNP R	718	D806	5631-1S2473	DIODE, DET
415	Q714	5613-C144VS	XISTOR, NPN R	719	D807	5631-1SS133	DIODE, DET
414	Q715	5613-C124ES	XISTOR, NPN R	719	D808	5631-1SS133	DIODE, DET
414	Q720	5613-C124ES	XISTOR, NPN R	718	D809	5631-1S2473	DIODE, DET
715	Q810	5613-C124ES	XISTOR, NPN R	719	D810	5631-1SS133	DIODE, DET
713	Q811	5616-2SK364BL	FET, N-CH	719	D811	5631-1SS133	DIODE, DET
713	Q812	5616-2SK364BL	FET, N-CH	719	D812	5631-1SS133	DIODE, DET
713	Q813	5616-2SK364BL	FET, N-CH	719	D813	5631-1SS133	DIODE, DET
713	Q814	5616-2SK364BL	FET, N-CH	719	D814	5631-1SS133	DIODE, DET
713	Q815	5616-2SK364BL	FET, N-CH	719	D815	5631-1SS133	DIODE, DET
713	Q816	5616-2SK364BL	FET, N-CH	719	D816	5631-1SS133	DIODE, DET
714	Q817	5611-A124ES	XISTOR, PNP R	719	D817	5631-1SS133	DIODE, DET
714	Q818	5611-A124ES	XISTOR, PNP R	719	D818	5631-1SS133	DIODE, DET
714	Q819	5611-A124ES	XISTOR, PNP R	719	D819	5631-1SS133	DIODE, DET
787	Q841	5613-1740S(R)	XISTOR, NPN R	719	D820	5631-1SS133	DIODE, DET
788	Q842	5613-C124ES	XISTOR, NPN R	719	D821	5631-1SS133	DIODE, DET
788	Q843	5613-C124ES	XISTOR, NPN R	720	D838	5631-1S2473	DIODE, DET
788	Q844	5613-C124ES	XISTOR, NPN R	720	D839	5631-1S2473	DIODE, DET
788	Q845	5613-C124ES	XISTOR, NPN R	720	D840	5631-1S2473	DIODE, DET
788	Q846	5613-C124ES	XISTOR, NPN R	720	D848	5631-1S2473	DIODE, DET
788	Q847	5613-C124ES	XISTOR, NPN R	720	D849	5631-1S2473	DIODE, DET
788	Q848	5613-C124ES	XISTOR, NPN R	720	D850	5631-1S2473	DIODE, DET
788	Q849	5613-1740S(R)	XISTOR, NPN R	719	D855	5631-1SS133	DIODE, DET
787	Q850	5613-1740S(R)	XISTOR, NPN R	719	D856	5631-1SS133	DIODE, DET
716	Q851	5613-1740S(R)	XISTOR, NPN R	719	D857	5631-1SS133	DIODE, DET
717	Q852	5611-A124ES	XISTOR, PNP R	719	D858	5631-1SS133	DIODE, DET
786	Q855	5613-C124ES	XISTOR, NPN R	828	D887	5635-HZ15-1L	DIODE, ZENER
834	Q920	5613-C124ES	XISTOR, NPN R	828	D888	5635-HZ15-1L	DIODE, ZENER
834	Q921	5613-C124ES	XISTOR, NPN R	722	D891	5635-HZ3A2	DIODE, ZENER
				789	D892	5631-1S2473	DIODE, DET
				789	D893	5631-1S2473	DIODE, DET
				790	D894	5635-HZ5A3	DIODE, ZENER
				720	D895	5631-1S2473	DIODE, DET
				836	D911	5631-1S2473	DIODE, DET
				836	D912	5631-1S2473	DIODE, DET
				836	D913	5631-1S2473	DIODE, DET
				835	D914	5631-1SS133	DIODE, DET
				835	D918	5631-1SS133	DIODE, DET

Ser. No.	Ref. No.	Part No.	Description	Ser. No.	Ref. No.	Part No.	Description
COIL AND TRANSFORMERS							
335	L201	5995-2R2J89	COIL W/CORE	546	C616	5345-107D041	CAP, MINI ELE 100 μ /25V
334	T201	5572-10201	DIC=SCRI 7	515	C617	5353-040934	CAP, MCA 4P
358	T251	5552-00712	IFT, AM 7	515	C618	5353-040934	CAP, MCA 4P
				514	C619	5359-6825851	CAP, PPP 6800P
				514	C620	5359-6825851	CAP, PPP 6800P
				510	C625	5354-473593	CAP, MYL .047 μ
				510	C626	5354-473593	CAP, MYL .047 μ
				510	C627	5354-473593	CAP, MYL .047 μ
CONTROLS							
331	VR201	5101-S0801503	RES, SEMI FIX 50K				
387	VR301	5101-S0801504	RES, SEMI FIX 500K				
388	VR302	5101-S0801503	RES, SEMI FIX 50K				
MISCELLANEOUS							
357	CB251	6111-02401	RF BLOCK	518	R601	5130-R030J823	RES, CBN 1/2P 82K
332	CF201	5671-0101A113	FILTER, CER S CR	518	R602	5130-R030J823	RES, CBN 1/2P 82K
332B	CF201	5671-7141A	FILTER, CER S WB	519	R603	5130-R030J124	RES, CBN 1/2P 120K
332	CF202	5671-0101A113	FILTER, CER S WB	519	R604	5130-R030J124	RES, CBN 1/2P 120K
333B	CF202	5671-7142A	FILTERC CER S WB	547	R605	5130-R030J221	RES, CBN 1/2P 220
333	CF203	5671-012A	FILTER, CER S CR	547	R606	5130-R030J221	RES, CBN 1/2P 220
333B	CF203	5671-7142A	FILTER, CER S WB	548	R607	5130-R030J122	RES, CBN 1/2P 1.2K
360	CF251	5671-7137C	FILTER, CER S	548	R608	5130-R030J122	RES, CBN 1/2P 1.2K
359	CF 252	5671-0082A451	FILTER, CER S	520	R609	5130-R030J220	RES, CBN 1/2P 22
915	CN12	4443-060185	CONNECTOR	520	R610	5130-R030J220	RES, CBN 1/2P 22
917	CN15	4443-0201140	CONNECTOR	548	R611	5130-R030J122	RES, CBN 1/2P 1.2K
905	CN100	4443-0201140	CONNECTOR	548	R612	5130-R030J122	RES, CBN 1/2P 1.2K
913	CN102	4443-080185	CONNECTOR	521	R613	5130-R030J473	RES, CBN 1/2P 47K
916	CN401	4443-060185	CONNECTOR	521	R614	5130-R030J473	RES, CBN 1/2P 47K
928	CN416	4443-070185	CONNECTOR	522	R615	5130-R030J820	RES, CBN 1/2P 82
904	CN419	4443-050185	CONNECTOR	522	R616	5130-R030J820	RES, CBN 1/2P 82
914	CN501	4443-030185	CONNECTOR	522	R617	5130-R030J820	RES, CBN 1/2P 82
912	CN504	4443-0401140	CONNECTOR	522	R618	5130-R030J820	RES, CBN 1/2P 82
907	CN101A	443-05501019	CONNECTOR	524	R621	5130-R030J821	RES, CBN 1/2P 820
908	CN601B	4443-01801012	CONNECTOR	524	R622	5130-R030J821	RES, CBN 1/2P 820
909	CN602B	4443-01801007	CONNECTOR	525	R623	5130-R030J393	RES, CBN 1/2P 39K
910	CN802B	4443-01801016	CONNECTOR	525	R624	5130-R030J393	RES, CBN 1/2P 39K
910	CN803B	4443-01801016	CONNECTOR	526	R625	5130-R030J564	RES, CBN 1/2P 560
911	CN804B	4443-05501021	CONNECTOR	526	R626	5130-R030J564	RES, CBN 1/2P 560
906	CN901B	4443-01801012	CONNECTOR	527	R627	5130-R030J334	RES, CBN 1/2P 330K
384	CX301	5693-CSB456F1	OSC, CER	527	R628	5130-R030J334	RES, CBN 1/2P 330K
791	CX801	5693-CSB400P	OSC, CER	523	R629	5130-R030J102	RES, CBN 1/2P 1K
955	CW110	4163-0105039	CONNECTOR W/W CR	523	R630	5130-R030J102	RES, CBN 1/2P 1K
321	Δ FE101	6114-00701	FM TUNER CR	529	R631	5130-R030J333	RES, CBN 1/2P 33K
321B	Δ FE101	6114-00601	FM TUNER WB	529	R632	5130-R030J333	RES, CBN 1/2P 33K
931	H418	2240-Z051	HOLDER, W-418	528	R633	5130-R030J331	RES, CBN 1/2P 330
889	Δ J8	4484-46	4 PIN JACK, PRE OUT A/B	528	R634	5130-R030J331	RES, CBN 1/2P 330
948	JL103	4242-R0104141	JUMPER LEAD	530	R635	5130-R030J222	RES, CBN 1/2P 2.2K
945	JL901	4132-R0200451	CORD, 2C	530	R636	5130-R030J222	RES, CBN 1/2P 2.2K
052	LPF101	5214-78	LC COMPOSITE WB	549	R637	5130-R030J102	RES, CBN 1/2P 1K
385	LPF301	5214-75	LC COMPOSITE	549	R638	5130-R030J102	RES, CBN 1/2P 1K
385	LPF302	5214-75	LC COMPOSITE	550	Δ R641	5102-3304713	RES, FUSE 33
986	LUG	4211-4	LUG, CW110 (BK)	550	Δ R642	5102-3304713	RES, FUSE 33
723	RC801	5212-223J0503	R COMPOSITE	531	R643	5130-R030J105	RES, CBN 1/2P 1M
899	TM101	4214-164	TERMINAL, FM/AM EXT. ANT	531	R644	5130-R030J105	RES, CBN 1/2P 1M
051B	TM102	4214-167	TERMINAL, FM 75 OHM EXT. ANT WB	523	R653	5130-R030J102	RES, CBN 1/2P 1K
658	TM521	4214-11033	TERMINAL	523	R654	5130-R030J102	RES, CBN 1/2P 1K
658	TM522	4214-11033	TERMINAL	528	R655	5130-R030J331	RES, CBN 1/2P 330
355	TP1	4214-132	TERMINAL	528	R656	5130-R030J331	RES, CBN 1/2P 330
355	TP2	4214-132	TERMINAL	528	R657	5130-R030J331	RES, CBN 1/2P 330
386	TP301	4214-132	TERMINAL	528	R658	5130-R030J331	RES, CBN 1/2P 330
386	TP302	4214-132	TERMINAL	530	R681	5130-R030J222	RES, CBN 1/2P 2.2K
				530	R682	5130-R030J222	RES, CBN 1/2P 2.2K

PCB-2 EQUALIZER P.C. BOARD**CAPACITORS**

509	C601	5345-S19CM106	CAP, MINI ELE 10 μ /16V
509	C602	5345-S19CM106	CAP, MINI ELE 10 μ /16V
511	C603	5359-1215851	CAP, PPP 120P
511	C604	5359-1215851	CAP, PPP 120P
508	C605	5345-S19AM227	CAP, MINI ELE 220 μ /6.3V
508	C606	5345-S19AM227	CAP, MINI ELE 220 μ /6.3V
512	C607	5359-5625851	CAP, PPP 5600P
512	C608	5359-5625851	CAP, PPP 5600P
513	C609	5359-2025851	CAP, PPP 2000P
513	C610	5359-2025851	CAP, PPP 2000P
509	C611	5345-S19CM106	CAP, MINI ELE 10 μ /16V
509	C612	5345-S19CM106	CAP, MINI ELE 10 μ /16V
545	C613	5345-227D041	CAP, MINI ELE 220 μ /25V
545	C614	5345-227D041	CAP, MINI ELE 220 μ /25V
546	C615	5345-107D041	CAP, MINI ELE 100 μ /25V

TRANSISTORS

504	Q601	5613-2320L	XISTOR, NPN R
504	Q602	5613-2320L	XISTOR, NPN R
506	Q603	5611-999L (F)	XISTOR, PNP R
506	Q604	5611-999L (F)	XISTOR, PNP R
507	Q605	5611-1115 (F)	XISTOR, PNP R
507	Q606	5611-1115 (F)	XISTOR, PNP R
505	Q607	5613-2603 (F)	XISTOR, NPN R
505	Q608	5613-2603 (F)	XISTOR, NPN R
505	Q609	5613-2603 (F)	XISTOR, NPN R
505	Q610	5613-2603 (F)	XISTOR, NPN R
505	Q611	5613-2603 (F)	XISTOR, NPN R
505	Q612	5613-2603 (F)	XISTOR, NPN R
542	Q613	5612-647 (F)	XISTOR, PNP A
543	Q614	5614-667 (C)	XISTOR, NPN A

Ser. No.	Ref. No.	Part No.	Description
DIODES			
544	D601	5635-HZ15-2L	DIODE, ZENER
544	D602	5635-HZ15-2L	DIODE, ZENER
MISCELLANEOUS			
918	CN601A	4443-01701012	CONNECTOR
919	CN602A	4443-01701007	CONNECTOR
958	CW107	4163-0135039	CONNECTOR W/W
956	CW108	4163-0145039	CONNECTOR W/W
890	△ J2	4484-45	4 PIN JACK, PHONO/CD
891	△ J3	4484-46	4 PIN JACK, AV 1, 2

PCB-3 MONITOR P. C. BOARD

CAPACITORS			
758	C811	5354-104593	CAP, MYL .1μ
758	C812	5354-104593	CAP, MYL .1μ
758	C813	5354-104593	CAP, MYL .1μ
762	C815	5345-106F041	CAP, MINI ELE 10μ/50V
763	C816	5345-106F041	CAP, MINI ELE .1μ/50V
760	C820	5345-106F041	CAP, MINI ELE 10μ/50V
771	C834	5361-R02FZ103	CAP, CER .01μ
771	C835	5361-R02FZ103	CAP, CER .01μ
771	C836	5361-R02FZ103	CAP, CER .01μ
761	C871	5345-106F041	CAP, MINI ELE 10μ/50V
761	C872	5345-106F041	CAP, MINI ELE 10μ/50V
759	C884	5359-4735931	CAP, PPP .047μ

RESISTORS			
767	R859	5130-R030J102	RES, CBN 1/2P 1K
767	R860	5130-R030J102	RES, CBN 1/2P 1K
769	R861	5130-R030J104	RES, CBN 1/2P 100K
769	R862	5130-R030J104	RES, CBN 1/2P 100K
768	R863	5130-R030J224	RES, CBN 1/2P 220K
810	R864	5130-R030J274	RES, CBN 1/2P 270K
765	R867	5130-R030J100	RES, CBN 1/2P 10
767	R869	5130-R030J102	RES, CBN 1/2P 1K
767	R870	5130-R030J102	RES, CBN 1/2P 1K
766	R871	5130-R030J473	RES, CBN 1/2P 47K
769	R872	5130-R030J104	RES, CBN 1/2P 100K
766	R874	5130-R030J473	RES, CBN 1/2P 47K
769	R875	5130-R030J104	RES, CBN 1/2P 100K
769	R876	5130-R030J104	RES, CBN 1/2P 100K
766	R877	5130-R030J473	RES, CBN 1/2P 47K
764	R878	5130-R030J105	RES, CBN 1/2P 1M
768	R879	5130-R030J224	RES, CBN 1/2P 220K
764	R880	5130-R030J105	RES, CBN 1/2P 1M
768	R881	5130-R030J224	RES, CBN 1/2P 220K
764	R882	5130-R030J105	RES, CBN 1/2P 1M
768	R883	5130-R030J224	RES, CBN 1/2P 220K
768	R884	5130-R030J224	RES, CBN 1/2P 220K
768	R885	5130-R030J224	RES, CBN 1/2P 220K
768	R886	5130-R030J224	RES, CBN 1/2P 220K
767	R887	5130-R030J102	RES, CBN 1/2P 1K
767	R888	5130-R030J102	RES, CBN 1/2P 1K
767	R889	5130-R030J102	RES, CBN 1/2P 1K
767	R890	5130-R030J102	RES, CBN 1/2P 1K

INTEGRATED CIRCUITS			
753	IC805	5654-LC7818	IC, DIGITAL
754	IC806	5654-TC4011BP	IC, DIGITAL
754	IC807	5654-TC4011BP	IC, DIGITAL

TRANSISTORS			
755	Q821	5616-2SK364BL	FET, N-CH
755	Q822	5616-2SK364BL	FET, N-CH
755	Q823	5616-2SK364BL	FET, N-CH
755	Q824	5616-2SK364BL	FET, N-CH
755	Q825	5616-2SK364BL	FET, N-CH
755	Q826	5616-2SK364BL	FET, N-CH
755	Q827	5616-2SK364BL	FET, N-CH
755	Q828	5616-2SK364BL	FET, N-CH
756	Q829	5611-A124ES	XISTOR, PNP R
756	Q830	5611-A124ES	XISTOR, PNP R
756	Q831	5611-A124ES	XISTOR, PNP R

Ser. No.	Ref. No.	Part No.	Description
DIODES			
757	D861	5631-1S2473	DIODE, DET
757	D862	5631-1S2473	DIODE, DET
757	D863	5631-1S2473	DIODE, DET
757	D864	5631-1S2473	DIODE, DET
757	D865	5631-1S2473	DIODE, DET
757	D866	5631-1S2473	DIODE, DET
757	D867	5631-1S2473	DIODE, DET
757	D868	5631-1S2473	DIODE, DET
757	D869	5631-1S2473	DIODE, DET
757	D870	5631-1S2473	DIODE, DET
757	D871	5631-1S2473	DIODE, DET
757	D872	5631-1S2473	DIODE, DET
757	D873	5631-1S2473	DIODE, DET
757	D874	5631-1S2473	DIODE, DET
757	D875	5631-1S2473	DIODE, DET
757	D876	5631-1S2473	DIODE, DET
757	D877	5631-1S2473	DIODE, DET
757	D878	5631-1S2473	DIODE, DET
757	D879	5631-1S2473	DIODE, DET
757	D880	5631-1S2473	DIODE, DET
757	D883	5631-1S2473	DIODE, DET
757	D884	5631-1S2473	DIODE, DET
757	D885	5631-1S2473	DIODE, DET

MISCELLANEOUS			
920	CN802A	4443-01701016	CONNECTOR
920	CN803A	4443-01701016	CONNECTOR
957	SW106	4163-0150039	CONNECTOR W/W
893	△ J4	4484-46	4 PIN JACK, VCR/TAPE 2 IN/OUT
892	△ J5	4484-45	4 PIN JACK, VCR/TAPE 1 IN/OUT
770	RC802	5212-223J0503	R COMPOSITE

PCB-5 REMOTE IN/OUT P. C. BOARD

CAPACITORS			
702	C595	5354-104593	CAP, MYL .1μ
704	C597	5359-1035851	CAP, PPP .01μ
463	C761	5345-226C041	CAP, MINI ELE 22U/16V

RESISTORS			
703	R587	5130-R030J683	RES, CBN 1/2P 68
703	R588	5130-R030J683	RES, CBN 1/2P 68
465	R751	5130-R030J470	RES, CBN 1/2P 47
466	R752	5130-R030J473	RES, CBN 1/2P 47K
467	R753	5130-R030J271	RES, CBN 1/2P 270
464	R761	5130-R030J101	RES, CBN 1/2P 100
468	R771	5130-R030J392	RES, CBN 1/2P 3.9K

TRANSISTORS			
701	Q591	5614-1450(T)	XISTOR, NPN A
701	Q592	5614-1450(T)	XISTOR, NPN A
462	Q751	5611-A143ES	XISTOR, PNP R

MISCELLANEOUS			
926	CN104	4443-030185	CONNECTOR
901	J101	4451-00184	1 PIN JACK, REMOTE OUT
901	J102	4451-00184	1 PIN JACK, REMOTE IN
894	△ J103	4489-00705002	2 PIN JACK, SUB WOOFER OUT
825	PH701	5624-PC817	PHOTO COUPLER

PCB-7 TONE CONTROL P. C. BOARD

CAPACITORS			
580	C501	5359-6805851	CAP, PPP 68P
580	C502	5359-6805851	CAP, PPP 68P
568	C503	5345-S19FM475	CAP, MINI ELE 4.7μ/50V
568	C504	5345-S19FM475	CAP, MINI ELE 4.7μ/50V
578	C511	5353-010934	CAP, MCA 1P
578	C512	5353-010934	CAP, MCA 1P
569	C513	5345-S19FM335	CAP, MINI ELE 3.3μ/50V
569	C514	5345-S19FM335	CAP, MINI ELE 3.3μ/50V
579	C515	5359-3905851	CAP, PPP 39P
579	C516	5359-3905851	CAP, PPP 39P
570	C517	5345-S19DM226	CAP, MINI ELE 22μ/25V
570	C518	5345-S19DM226	CAP, MINI ELE 22μ/25V

Ser. No.	Ref. No.	Part No.	Description
572	C519	5345-S19BM107	CAP, MINI ELE 100μ/10V
572	C520	5345-S19BM107	CAP, MINI ELE 100μ/10V
577	C521	5359-8225851	CAP, PPP 8200P
577	C522	5359-8225851	CAP, PPP 8200P
576	C523	5354-562593	CAP, MYL .056μ
576	C524	5354-562593	CAP, MYL .056μ
575	C525	5354-823593	CAP, MYL .082μ
575	C526	5354-823593	CAP, MYL .082μ
574	C527	5354-334593	CAP, MYL .33μ
574	C528	5354-334593	CAP, MYL .33μ
573	C529	5354-564593	CAP, MYL .56μ
573	C530	5354-564593	CAP, MYL .56μ
581	C561	5354-104593	CAP, MYL .1μ
581	C562	5354-104593	CAP, MYL .1μ
581	C565	5354-104593	CAP, MYL .1μ
571	C585	5345-107D041	CAP, MINI ELE 100μ/25V
571	C586	5345-107D041	CAP, MINI ELE 100μ/25V

RESISTORS

649	R401	5130-R030J563	RES, CBN 1/2P 56K
649	R402	5130-R030J563	RES, CBN 1/2P 56K
648	R403	5130-R030J273	RES, CBN 1/2P 27K
648	R404	5130-R030J273	RES, CBN 1/2P 27K
592	R501	5130-R030J331	RES, CBN 1/2P 330
592	R502	5130-R030J331	RES, CBN 1/2P 330
592	R503	5130-R030J331	RES, CBN 1/2P 330
592	R504	5130-R030J331	RES, CBN 1/2P 330
583	R505	5130-R030J335	RES, CBN 1/2P 3.3M
583	R506	5130-R030J335	RES, CBN 1/2P 3.3M
587	R507	5130-R030J274	RES, CBN 1/2P 270K
587	R508	5130-R030J274	RES, CBN 1/2P 270K
599	R515	5130-R030J183	RES, CBN 1/2P 18K
599	R516	5130-R030J183	RES, CBN 1/2P 18K
592	R517	5130-R030J331	RES, CBN 1/2P 330
592	R518	5130-R030J331	RES, CBN 1/2P 330
589	R519	5130-R030J473	RES, CBN 1/2P 47K
589	R520	5130-R030J473	RES, CBN 1/2P 47K
590	R521	5130-R030J332	RES, CBN 1/2P 3.3K
590	R522	5130-R030J332	RES, CBN 1/2P 3.3K
590	R523	5130-R030J332	RES, CBN 1/2P 3.3K
590	R524	5130-R030J332	RES, CBN 1/2P 3.3K
591	R525	5130-R030J471	RES, CBN 1/2P 470
591	R526	5130-R030J471	RES, CBN 1/2P 470
591	R527	5130-R030J471	RES, CBN 1/2P 470
591	R528	5130-R030J471	RES, CBN 1/2P 470
592	R529	5130-R030J331	RES, CBN 1/2P 330
592	R530	5130-R030J331	RES, CBN 1/2P 330
593	R531	5130-R030J222	RES, CBN 1/2P 2.2K
593	R532	5130-R030J222	RES, CBN 1/2P 2.2K
593	R533	5130-R030J222	RES, CBN 1/2P 2.2K
593	R534	5130-R030J222	RES, CBN 1/2P 2.2K
594	R535	5130-R030J274	RES, CBN 1/2P 270K
594	R536	5130-R030J274	RES, CBN 1/2P 270K
595	R537	5130-R030J153	RES, CBN 1/2P 15K
595	R538	5130-R030J153	RES, CBN 1/2P 15K
592	R539	5130-R030J331	RES, CBN 1/2P 330
592	R540	5130-R030J331	RES, CBN 1/2P 330
592	R541	5130-R030J331	RES, CBN 1/2P 330
592	R542	5130-R030J331	RES, CBN 1/2P 330
582	R545	5130-R030J271	RES, CBN 1/2P 270
582	R546	5130-R030J271	RES, CBN 1/2P 270
585	R549	5130-R030J822	RES, CBN 1/2P 8.2K
585	R550	5130-R030J822	RES, CBN 1/2P 8.2K
597	R551	5130-R030J152	RES, CBN 1/2P 1.5K
597	R552	5130-R030J152	RES, CBN 1/2P 1.5K
596	R553	5130-R030J563	RES, CBN 1/2P 56K
596	R554	5130-R030J563	RES, CBN 1/2P 56K
586	R559	5130-R030J102	RES, CBN 1/2P 1K
586	R560	5130-R030J102	RES, CBN 1/2P 1K
692	R567	5130-R030J683	RES, CBN 1/2P 68K
692	R568	5130-R030J683	RES, CBN 1/2P 68K
588	R569	5130-R030J104	RES, CBN 1/2P 100K
598	R570	5130-R030J105	RES, CBN 1/2P 1M
600	△ R595	5102-2205116	RES, FUSE 22
600	△ R596	5102-2205116	RES, FUSE 22

Ser. No.	Ref. No.	Part No.	Description
TRANSISTORS			
561	Q501	5613-2320L (F)	XISTOR, NPN R
561	Q502	5613-2320L (F)	XISTOR, NPN R
561	Q503	5613-2320L (F)	XISTOR, NPN R
561	Q504	5613-2320L (F)	XISTOR, NPN R
561	Q505	5613-2320L (F)	XISTOR, NPN R
561	Q506	5613-2320L (F)	XISTOR, NPN R
561	Q507	5613-2320L (F)	XISTOR, NPN R
561	Q508	5613-2320L (F)	XISTOR, NPN R
562	Q509	5611-999L (F)	XISTOR, PNP R
562	Q510	5611-999L (F)	XISTOR, PNP R
561	Q511	5613-2320L (F)	XISTOR, NPN R
561	Q512	5613-2320L (F)	XISTOR, NPN R
562	Q513	5611-999L (F)	XISTOR, PNP R
562	Q514	5611-999L (F)	XISTOR, PNP R
564	Q515	5612-646A (C)	XISTOR, PNP A
564	Q516	5612-646A (C)	XISTOR, PNP A
563	Q517	5614-666A (C)	XISTOR, NPN A
563	Q518	5614-666A (C)	XISTOR, NPN A
691	Q561	5614-1450 (T)	XISTOR, NPN A
691	Q562	5614-1450 (T)	XISTOR, NPN A
565	Q565	5616-2SK364BL	FET, N-CH

DIODES

566	D501	5631-1S2473	DIODE, DET
566	D502	5631-1S2473	DIODE, DET
566	D561	5631-1S2473	DIODE, DET

CONTROLS

868	VR501/5113-S0906503	RES, V CBN 16 50K, BALANCE502
864	VR505/5113-S0907104	RES, V CBN 16 100K, BASS506
866	VR507/5113-S0908503	RES, V CBN 16 50K, TREBLE

MISCELLANEOUS

933	H401	2240-Z062	HOLDER
932	H417	2240-Z051	HOLDER, W-417
932	H419	2240-Z051	HOLDER, W-419
935	H501	2240-Z031	HOLDER, W-501
934	H502A	2240-Z031	HOLDER, W-502
932	H503A	2240-Z051	HOLDER, W-503
949	△ JL401	4242-R0506351	JUMPER LEAD
567	TM501	4214-11031	TERMINAL

PCB-8 VOLUME P. C. BOARD**CAPACITORS**

604	C541	5354-104593	CAP, MYL .1μ
604	C542	5354-104593	CAP, MYL .1μ
605	C543	5354-823593	CAP, MYL .082μ
605	C544	5354-823593	CAP, MYL .082μ

RESISTORS

607	R561	5130-R030J273	RES, CBN 1/2P 27K
607	R562	5130-R030J273	RES, CBN 1/2P 27K
608	R563	5130-R030J472	RES, CBN 1/2P 4.7K
608	R564	5130-R030J472	RES, CBN 1/2P 4.7K
606	R565	5130-R030J105	RES, CBN 1/2P 1M

TRANSISTORS

602	Q541	5616-2SK364BL	FET, N-CH
602	Q542	5616-2SK364BL	FET, N-CH

DIODES

603	D541	5631-1S2473	DIODE, DET
603	D542	5631-1S2473	DIODE, DET

CONTROLS

862	VR503/504	6161-00703	VR BLOCK, VOLUME
-----	-----------	------------	------------------

MISCELLANEOUS

960	△ CW504	4163-S0204101	CONNECTOR W/W
936	H502B	2240-Z031	HOLDER
936	H503B	2240-Z031	HOLDER

Ser. No.	Ref. No.	Part No.	Description
PCB-9 POWER SUPPLY P. C. BOARD			

CAPACITORS

664	△ C1	5352-S010M103	CAP, MTL .01μ [Ⓢ]
663	C3	5352-S060K104	CAP, MTL .1μ
663	C4	5352-S060K104	CAP, MTL .1μ
665	C7	5345-337F041	CAP, MINI ELE 330μ/50V
665	C8	5345-337F041	CAP, MINI ELE 330μ/50V
696	C21	5345-106F041	CAP, MINI ELE 10μ/50V
696	C22	5345-106F041	CAP, MINI ELE 10μ/50V
496	C51	5345-228D045	CAP, MINI ELE 2200μ/25V
497	C54	5354-104593	CAP, MYL .1μ
497	C55	5354-104593	CAP, MYL .1μ

RESISTORS

666	△ R1	5130-R030J335	RES, CBN 1/2P 3.3M [Ⓢ]
818	R11	5130-R030J103	RES, CBN 1/2P 10K
819	R12	5130-R030J332	RES, CBN 1/2P 3.3K
823	R14	5130-R030J472	RES, CBN 1/2P 4.7K
820	R15	5130-R030J331	RES, CBN 1/2P 330
821	R16	5130-R030J221	RES, CBN 1/2P 220
822	R17	5130-R030J221	RES, CBN 1/2P 220 [Ⓢ]
822B	R17	5130-R030J222	RES, CBN 1/2P 2.2K [Ⓢ]
697	R21	5130-R030J471	RES, CBN 1/2P 470
698	R22	5130-R030J392	RES, CBN 1/2P 3.9K
699	R23	5130-R030J332	RES, CBN 1/2P 3.3K

TRANSISTORS

815	Q11	5614-667 (C)	XISTOR, NPN A
816	Q12	5613-1740S (R)	XISTOR, NPN R
816	Q13	5613-1740S (R)	XISTOR, NPN R
814	Q14	5613-C124ES	XISTOR, NPN R

DIODES

660	△ D1	5685-D5SB20	SILICON, BRIG
817	D11	5631-1S2473	DIODE, DET [Ⓢ]
817	D12	5631-1S2473	DIODE, DET [Ⓢ]
817	D13	5631-1S2473	DIODE, DET [Ⓢ]
817	D16	5631-1S2473	DIODE, DET [Ⓢ]
694	D21	5636-1S2471	DIODE, SWITCH
695	D22	5635-HZ6B1L	DIODE, ZENER
495	△ D51	5685-S1VB10	SILICON, BRIG

TRANSFORMERS

859	△ T1	5584-T1801	XFORMER, POWER [Ⓢ]
859B	△ T1	5584-T1802	XFORMER, POWER [Ⓢ]

MISCELLANEOUS

962	CW111	4163-0133020	CONNECTOR W/W
963	CW112	4163-0133021	CONNECTOR W/W
964	CW113	4163-0133023	CONNECTOR W/W
499	△ FH2	4472-04501	HOLDER, FUSE
499	△ FH3	4472-04501	HOLDER, FUSE
938	H11	2240-Z042	HOLDER, JL11
939	H12	2240-Z062	HOLDER
937	H102	2240-Z082	HOLDER, JL102
950	△ JL11	4242-R0504251	JUMPER LEAD
951	△ JL12	4242-R0506501	JUMPER LEAD
952	△ JL102	4242-R0508201	JUMPER LEAD
661	△ RY1	4331-01702	DC RELAY [Ⓢ]
900	△ S01	4474-04301	SOCKET, AC OUTLET [Ⓢ]
662	TM1	4214-122	TERMINAL
662	TM2	4214-122	TERMINAL

PCB-11 PRE OUT P. C. BOARD**MISCELLANEOUS**

923	CN417	4443-030185	CONNECTOR
940	H416	2240-Z071	HOLDER, W-415, 416
870	S3	4411-00215404	ROTARY SWITCH, PRE OUT

Ser. No.	Ref. No.	Part No.	Description
PCB-12 HEADPHONES P. C. BOARD			

RESISTORS

651	R461	5130-R030J330	RES, CBN 1/2P 33
651	R462	5130-R030J330	RES, CBN 1/2P 33

MISCELLANEOUS

874	△ J1	4451-51501	1P JACK, HEADPHONES
924	CN418	4443-030185	CONNECTOR
943	H402A	2240-Z032	HOLDER, JL402

PCB-13 SUB WOOFER P. C. BOARD**CAPACITORS**

654	C591	5345-S06BM107	CAP, MINI ELE 100μ/10V
654	C592	5345-S06BM107	CAP, MINI ELE 100μ/10V
654	C593	5345-S06BM107	CAP, MINI ELE 100μ/10V
654	C594	5345-S06BM107	CAP, MINI ELE 100μ/10V

RESISTORS

653	R589	5130-R030J331	RES, CBN 1/2P 330
653	R590	5130-R030J331	RES, CBN 1/2P 330

CONTROLS

872	VR509/510	5113-5025112	RES, V CBN 16 5K, SUB WOOFER LEVEL
-----	-----------	--------------	---------------------------------------

MISCELLANEOUS

941	H104	2240-Z031	HOLDER, W-104
944	H402B	2240-Z032	HOLDER
953	JL402	4242-R0503800	JUMPER LEAD

PCB-15 FRONT P. C. BOARD**CAPACITORS**

452	C708	5361-223Z921	CAP, CER .022μ
455	C709	5345-476D041	CAP MINI ELE 47μ/25V
453	C711	5361-300JCH	CAP, CER 30P
453	C712	5361-300JCH	CAP, CER 30P
454	C713	5345-225F041	CAP, MINI ELE 2.2μ/50V
636	C821	5354-104593	CAP, MYL .1μ
635	C822	5345-475F041	CAP, MINI ELE 4.7μ/50V
636	C823	5354-104593	CAP, MYL .1μ
635	C824	5345-475F041	CAP, MINI ELE 4.7μ/50V

RESISTORS

459	R719	5130-R010J104	RES, CBN 1/6P 100K
460	R721	5130-R010J472	RES, CBN 1/6P 4.7K
456	R722	5130-R010J222	RES, CBN 1/6P 2.2K
456	R725	5130-R010J222	RES, CBN 1/6P 2.2K
459	R735	5130-R010J104	RES, CBN 1/6P 100K
458	R754	5130-R010J102	RES, CBN 1/6P 1K
458	R755	5130-R010J102	RES, CBN 1/6P 1K
458	R756	5130-R010J102	RES, CBN 1/6P 1K
458	R757	5130-R010J102	RES, CBN 1/6P 1K
458	R758	5130-R010J102	RES, CBN 1/6P 1K
458	R759	5130-R010J102	RES, CBN 1/6P 1K
458	R760	5130-R010J102	RES, CBN 1/6P 1K
457	R767	5130-R010J473	RES, CBN 1/6 47K
780	R801	5130-R030J681	RES, CBN 1/2P 680
780	R802	5130-R030J681	RES, CBN 1/2P 680
780	R803	5130-R030J681	RES, CBN 1/2P 680
780	R804	5130-R030J681	RES, CBN 1/2P 680
780	R805	5130-R030J681	RES, CBN 1/2P 680
780	R806	5130-R030J681	RES, CBN 1/2P 680
780	R807	5130-R030J681	RES, CBN 1/2P 680
778	R808	5130-R030J472	RES, CBN 1/2P 4.7K
778	R809	5130-R030J472	RES, CBN 1/2P 4.7K
778	R810	5130-R030J472	RES, CBN 1/2P 4.7K
779	R811	5130-R030J102	RES, CBN 1/2P 1K
779	R812	5130-R030J102	RES, CBN 1/2P 1K
779	R813	5130-R030J102	RES, CBN 1/2P 1K
779	R814	5130-R030J102	RES, CBN 1/2P 1K
779	R815	5130-R030J102	RES, CBN 1/2P 1K
779	R816	5130-R030J102	RES, CBN 1/2P 1K

Ser. No.	Ref. No.	Part No.	Description
779	R817	5130-R030J102	RES, CBN 1/2P 1K
778	R818	5130-R030J472	RES, CBN 1/2P 4.7K
778	R819	5130-R030J472	RES, CBN 1/2P 4.7K
778	R820	5130-R030J472	RES, CBN 1/2P 4.7K
778	R821	5130-R030J472	RES, CBN 1/2P 4.7K
780	R822	5130-R030J681	RES, CBN 1/2P 680
458	R823	5130-R010J102	RES, CBN 1/6P 1K
780	R824	5130-R030J681	RES, CBN 1/2P 680
778	R825	5130-R030J472	RES, CBN 1/2P 4.7K
777	R826	5130-R030J104	RES, CBN 1/2P 100K
637	R827	5130-R030J822	RES, CBN 1/2P 8.2K
777	R828	5130-R030J104	RES, CBN 1/2P 100K
637	R829	5130-R030J822	RES, CBN 1/2P 8.2K
778	R830	5130-R030J472	RES, CBN 1/2P 4.7K
776	R838	5130-R030J471	RES, CBN 1/2P 470
779	R839	5130-R030J102	RES, CBN 1/2P 1K
779	R840	5130-R030J102	RES, CBN 1/2P 1K
746	R857	5130-R010J472	RES, CBN 1/6P 4.7K
746	R858	5130-R010J472	RES, CBN 1/6P 4.7K

INTEGRATED CIRCUITS

447	IC701	5654-T9301-27	IC, DIGITAL
633	IC801	5654-TC4013BP	IC, DIGITAL

TRANSISTORS

774	Q801	5611-933S (R)	XISTOR, PNP R
774	Q802	5611-933S (R)	XISTOR, PNP R
774	Q803	5611-933S (R)	XISTOR, PNP R
774	Q804	5611-933S (R)	XISTOR, PNP R
774	Q805	5611-933S (R)	XISTOR, PNP R
774	Q806	5611-933S (R)	XISTOR, PNP R
774	Q807	5611-933S (R)	XISTOR, PNP R
774	Q808	5611-933S (R)	XISTOR, PNP R
773	Q809	5613-1740S (R)	XISTOR, NPN R
772	Q820	5611-A124ES	XISTOR, PNP R

DIODES

449	D701	5631-1S2473	DIODE, DET
449	D702	5631-1S2473	DIODE, DET
449	D703	5631-1S2473	DIODE, DET
449	D704	5631-1S2473	DIODE, DET
449	D705	5631-1S2473	DIODE, DET
449	D706	5631-1S2473	DIODE, DET
449	D707	5631-1S2473	DIODE, DET
449	D708	5631-1S2473	DIODE, DET
449	D709	5631-1S2473	DIODE, DET
449	D710	5631-1S2473	DIODE, DET
449	D711	5631-1S2473	DIODE, DET
450	D713	5631-1SS133	DIODE, DET
634	D730	5631-1S2473	DIODE, DET
775	D822	5631-1SS133	DIODE, DET
775	D823	5631-1SS133	DIODE, DET
775	D824	5631-1SS133	DIODE, DET
775	D825	5631-1SS133	DIODE, DET
775	D826	5631-1SS133	DIODE, DET
775	D827	5631-1SS133	DIODE, DET
775	D828	5631-1SS133	DIODE, DET
775	D829	5631-1SS133	DIODE, DET
883	D831	5637-S2410E1	LED, F-PHONO
883	D832	5637-S2410E1	LED, F-CD
883	D833	5637-S2410E1	LED, F-TUNER
883	D834	5637-S2410E1	LED, F-A/V2
883	D835	5637-S24010E1	LED, F-A/V1
883	D836	5637-S2410E1	LED, F-VCR/TAPE 2
883	D837	5637-S2410E1	LED, F-VCR/TAPE 1
884	D841	5637-S2210S1	LED, R-PHONO
884	D842	5637-S2210S1	LED, R-CD
884	D843	5637-S2210S1	LED, R-TUNER
884	D844	5637-S2210S1	LED, R-A/V2
884	D845	5637-S2210S1	LED, R-A/V1
884	D846	5637-S2210S1	LED, R-VCR/TAPE 2
884	D847	5637-S2210S1	LED, R-VCR/TAPE 1
883	D851	5637-S2410E1	LED, LOUDNESS
883	D852	5637-S2410E1	LED, MONO
634	D853	5631-1S2473	DIODE, DET
634	D854	5631-1S2473	DIODE, DET

Ser. No.	Ref. No.	Part No.	Description
451	CC701	5213-S0207221	C COMPOSITE
921	CN101B	4443-05401019	CONNECTOR
922	CN804A	4443-05501021	CONNECTOR
959	△ CW100	4163-S0202401	CONNECTOR W/W
501	FL701	5722-057	TUBE DISPLAY
985	LUG	4211-4	LUG, W-701
812	△ RCV1	6143-00802	RECEIV BLOCK, REMOTE SENSOR

MISCELLANEOUS

878	S11	4437-00603	PUSH SWITCH, 1
878	S12	4437-00603	PUSH SWITCH, 2
878	S13	4437-00603	PUSH SWITCH, 3
878	S14	4437-00603	PUSH SWITCH, 4
878	S15	4437-00603	PUSH SWITCH, 5
878	S16	4437-00603	PUSH SWITCH, 6
878	S17	4437-00603	PUSH SWITCH, 7
878	S18	4437-00603	PUSH SWITCH, 8
877	S19	4437-00604	PUSH SWITCH, MEMORY
877	S20	4437-00604	PUSH SWITCH, SHIFT A-B
877	S21	4437-00604	PUSH SWITCH, FM
877	S22	4437-00604	PUSH SWITCH, AM
877	S23	4437-00604	PUSH SWITCH, SEEK-STEREO
877	S24	4437-00604	PUSH SWITCH, TUNING UP
877	S25	4437-00604	PUSH SWITCH, TUNING DOWN
879	S31	4437-00901	PUSH SWITCH, F-PHONO
879	S32	4437-00901	PUSH SWITCH, F-CD
879	S33	4437-00901	PUSH SWITCH, F-TUNER
879	S34	4437-00901	PUSH SWITCH, F-A/V2
879	S35	4437-00901	PUSH SWITCH, F-A/V1
879	S36	4437-00901	PUSH SWITCH, F-VCR/TAPE 2
879	S37	4437-00901	PUSH SWITCH, F-VCR/TAPE 1
879	S41	4437-00901	PUSH SWITCH, R-PHONO
879	S42	4437-00901	PUSH SWITCH, R-CD
879	S43	4437-00901	PUSH SWITCH, R-TUNER
879	S44	4437-00901	PUSH SWITCH, R-A/V2
879	S45	4437-00901	PUSH SWITCH, R-A/V1
879	S46	4437-00901	PUSH SWITCH, R-VCR/TAPE 2
879	S47	4437-00901	PUSH SWITCH, R-VCR/TAPE 1
879	S51	4437-00901	PUSH SWITCH, LOUDNESS
879	S52	4437-00901	PUSH SWITCH, MONO
448	X701	5691-00720027	XTAL, OSC

PCB-16 POWER SWITCH P. C. BOARD**MISCELLANEOUS**

925	CN11	4443-040185	CONNECTOR
942	H13	2240-Z032	HOLDER, JL13
954	△ JL13	4242-R0503101	JUMPER LEAD
880	S1	4431-A027610	PUSH SWITCH, POWER

PCB-17 VOLUME LED P. C. BOARD**CAPACITOR**

750	C15	5345-106F041	CAP, MINI ELE 10μ/50V
-----	-----	--------------	-----------------------

DIODE

886	D15	5637-S2410E1	LED, VOLUME
-----	-----	--------------	-------------

MISCELLANEOUS

961	△ CW15	4163-01524002	CONNECTOR W/W
-----	--------	---------------	---------------

PCB-18 POWER LED P. C. BOARD**CAPACITOR**

748	C14	5345-106C0961	CAP, MINI ELE 10μ/16V
-----	-----	---------------	-----------------------

DIODE

885	D14	5637-GL3ED8	LED, POWER
-----	-----	-------------	------------

Ser. No.	Ref. No.	Part No.	Description
PCB-20 VIDEO P. C. BOARD			
CAPACITORS			
847	C911	5345-227C041	CAP, MINI ELE 220μ/16V
847	C912	5345-227C041	CAP, MINI ELE 220μ/16V
847	C913	5345-227C041	CAP, MINI ELE 220μ/16V
846	C914	5345-477C045	CAP, MINI ELE 470μ/16V
846	C915	5345-477C045	CAP, MINI ELE 470μ/16V
846	C916	5345-477C045	CAP, MINI ELE 470μ/16V
848	C917	5345-106C041	CAP, MINI ELE 10μ/16V
849	C918	5345-107C041	CAP, MINI ELE 100μ/16V
849	C919	5345-107C041	CAP, MINI ELE 100μ/16V
847	C924	5345-227C041	CAP, MINI ELE 220μ/16V

Ser. No.	Ref. No.	Part No.	Description
RESISTORS			
855	R911	5130-R030J750	RES, CBN 1/2P 75
855	R912	5130-R030J750	RES, CBN 1/2P 75
855	R913	5130-R030J750	RES, CBN 1/2P 75
854	R914	5130-R030J221	RES, CBN 1/2P 220
854	R915	5130-R030J221	RES, CBN 1/2P 220
854	R916	5130-R030J221	RES, CBN 1/2P 220
850	R920	5130-R030J333	RES, CBN 1/2P33K
850	R921	5130-R030J333	RES, CBN 1/2P33K
850	R922	5130-R030J333	RES, CBN 1/2P33K
854	R923	5130-R030J221	RES, CBN 1/2P 220
854	R924	5130-R030J221	RES, CBN 1/2P 220
854	R925	5130-R030J221	RES, CBN 1/2P 220
853	R926	5130-R030J271	RES, CBN 1/2P 270
853	R927	5130-R030J271	RES, CBN 1/2P 270
853	R928	5130-R030J271	RES, CBN 1/2P 270
854	R929	5130-R030J221	RES, CBN 1/2P 220
854	R930	5130-R030J221	RES, CBN 1/2P 220
854	R931	5130-R030J221	RES, CBN 1/2P 220
856	R932	5130-R030J680	RES, CBN 1/2P 68
856	R933	5130-R030J680	RES, CBN 1/2P 68
856	R934	5130-R030J680	RES, CBN 1/2P 68
852	R938	5130-R030J182	RES, CBN 1/2P 1.8K
851	R939	5130-R030J332	RES, CBN 1/2P 3.3K
855	R940	5130-R030J750	RES, CBN 1/2P 75
854	R941	5130-R030J221	RES, CBN 1/2P 220

Ser. No.	Ref. No.	Part No.	Description
INTEGRATED CIRCUITS			
842	IC911	5654-LC4966	IC, DIGITAL
842	IC912	5654-LC4966	IC, DIGITAL
842	IC913	5654-LC4966	IC, DIGITAL

Ser. No.	Ref. No.	Part No.	Description
TRANSISTORS			
844	Q914	5613-1740S (R)	XISTOR, NPN R
844	Q915	5613-1740S (R)	XISTOR, NPN R
844	Q916	5613-1740S (R)	XISTOR, NPN R
843	Q917	5611-933S (R)	XISTOR, PNP R
843	Q918	5611-933S (R)	XISTOR, PNP R
843	Q919	5611-933S (R)	XISTOR, PNP R

Ser. No.	Ref. No.	Part No.	Description
DIODES			
845	D915	5631-1S2473	DIODE, DET
845	D916	5631-1S2473	DIODE, DET

Ser. No.	Ref. No.	Part No.	Description
MISCELLANEOUS			
927	CN901A	4443-01701012	CONNECTOR
895	△ J6	4489-00901006	MLT PIN JACK, MONITOR OUT, A/V2, VCR 1/2
896	J7	4481-01101	1PIN JACK, AV1

Ser. No.	Ref. No.	Part No.	Description
CHASSIS MISCELLANEOUS			
498	△ F2	5732-01501122	FUSE, 1.25a 125V [Ⓢ]
498B	△ F2	5732-01601801	FUSE, T800mA 250V [Ⓢ]
946	△ JL101	4242-S0319161	JUMPER LEAD
947	△ JL804	4242-S0321151	JUMPER LEAD
984	LUG	4211-4	LUG, W-526
981	△ P1	4161-71151	AC CORD W/PLUG [Ⓢ]
981B	△ P1	4161-7256	AC CORD W/PLUG [Ⓢ]
994		4161-71184	CORD W/PLUG, RCA CORD

Ser. No.	Ref. No.	Part No.	Description
PACKAGE PARTS LIST			
021		1756-06304	LABEL, 230V/50Hz [Ⓢ]
022		1756-03101	LABEL, (W) LABEL (X2) [Ⓢ]
111		1221-29914	CARTON BOX
112		1222-7380	CUSHION, R
113		1222-7381	CUSHION, L
116		1223-R0420055	SOFT SHEET
117		1241-R0123351	POLYETHY BAG, IB
118		1241-R0160601	POLYETHY BAG, SET
119		1111-0650J152	OWNER GUIDE, IB
120		1113-02501	OWNER CARD, REPLY CARD [Ⓢ]
121		1116-03801	GUARANT CARD, WARRANTY [Ⓢ]
122		1119-01201	ATTACH SHEET, IMPORT SAFETY [Ⓢ]
123		1119-04501	ATTACH SHEET [Ⓢ]
990		1397-6	T FEEDER ANT, FM
991		4191-0355	BATTERY, DRY
992		6142-06806	CONT BLOCK (ACCESSORY)
993		4161-08201102	CORD W/PLUG, REMOTE (X2)
L251		5911-266	LOOP ANTENNA, AM

ABBREVIATIONS IN PARTS LIST

CAPACITORS

- CAP, MINI ELE : Electrolytic
- CAP, CER : Ceramic
- CAP, PPP : Polypropylene
- CAP, MYL : Mylar
- CAP, MCA : Mica
- CAP, MINI BP : Bipolar
- CAP, ELE BP : Electrolytic Bipolar
- CAP, STY : Polystyrene Film
- CAP, SPE : Special
- CAP, TAN : Tantalum

- 470μ : 470μF
- 6800p : 6800pF
- .047μ : 0.047μF

RESISTORS

- RES, CBN 1/6P : Carbon 1/6 W
- RES, FUSE : Fuse
- RES, CEM 5P : Cement 5W
- RES, MTL 1P : Metal 1W
- 2.2K : 2.2KΩ
- 220 : 220Ω

TRANSISTORS

- XISTOR : Transistors
- FET : Field Effect Transistor

CONTROLS

- RES, V CBN : Variable Carbon Resistor
- RES, SEMI FIX : Semi-fixed Resistor

NOTE

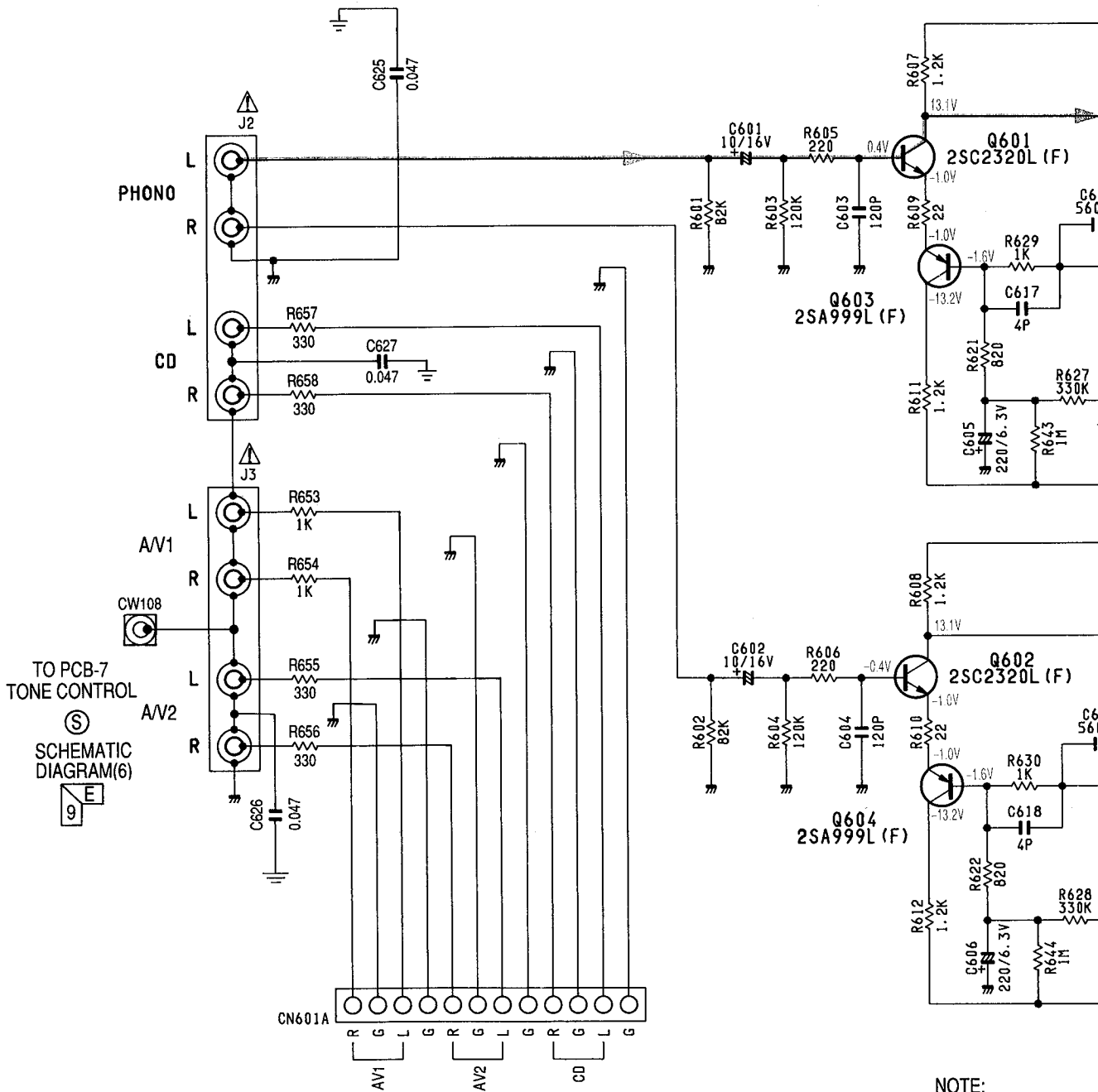
△ SAFETY-RELATED COMPONENT. USE ONLY EXACT REPLACEMENT PART AS SPECIFIED.

This page was intentionally left blank.

SCHEMATIC DIAGRAM (1)

PCB-2 EQUALIZER

Condition:
 © Set the Function switch



TO PCB-7
TONE CONTROL

SCHEMATIC
DIAGRAM(6)

9

CN601A

TO PCB-1
MAIN

SCHEMATIC DIAGRAM (4)

- NOTE:
1. ALL RESISTANCE IN Ω UNLESS OTHERWISE SPECIFIED
 2. ALL CAPACITANCE IN P.F. UNLESS OTHERWISE SPECIFIED
 3. ...V: DC VOLTAGE
 4. SAFETY SYMBOLS: SAFETY BY ORIGINAL MANUFACTURER
 5. THE WATTAGE

F

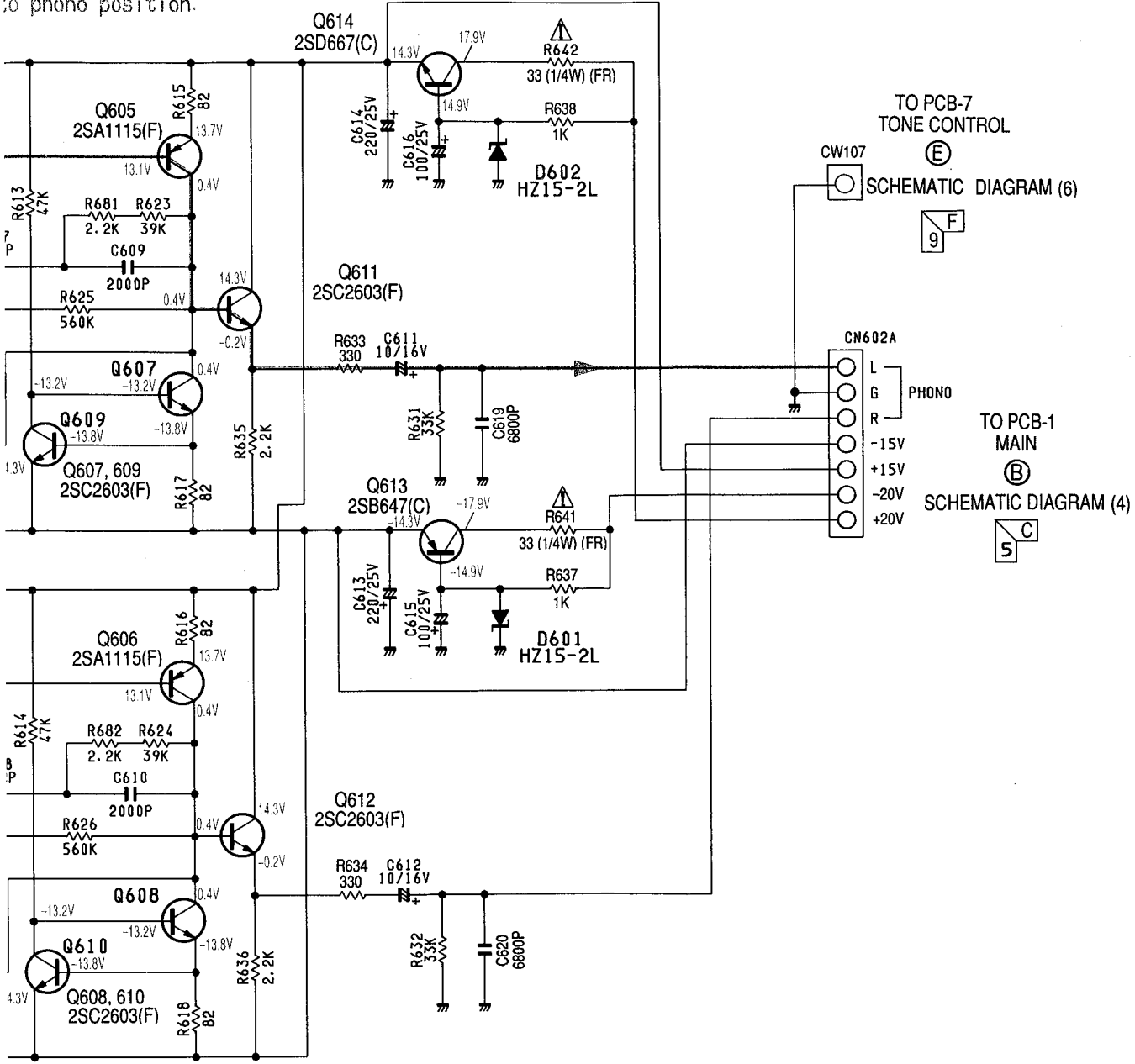
G

H

I

J

to phono position.



RESISTOR VALUES ARE IN Ω

$\Omega = 1000 \text{ K}\Omega$

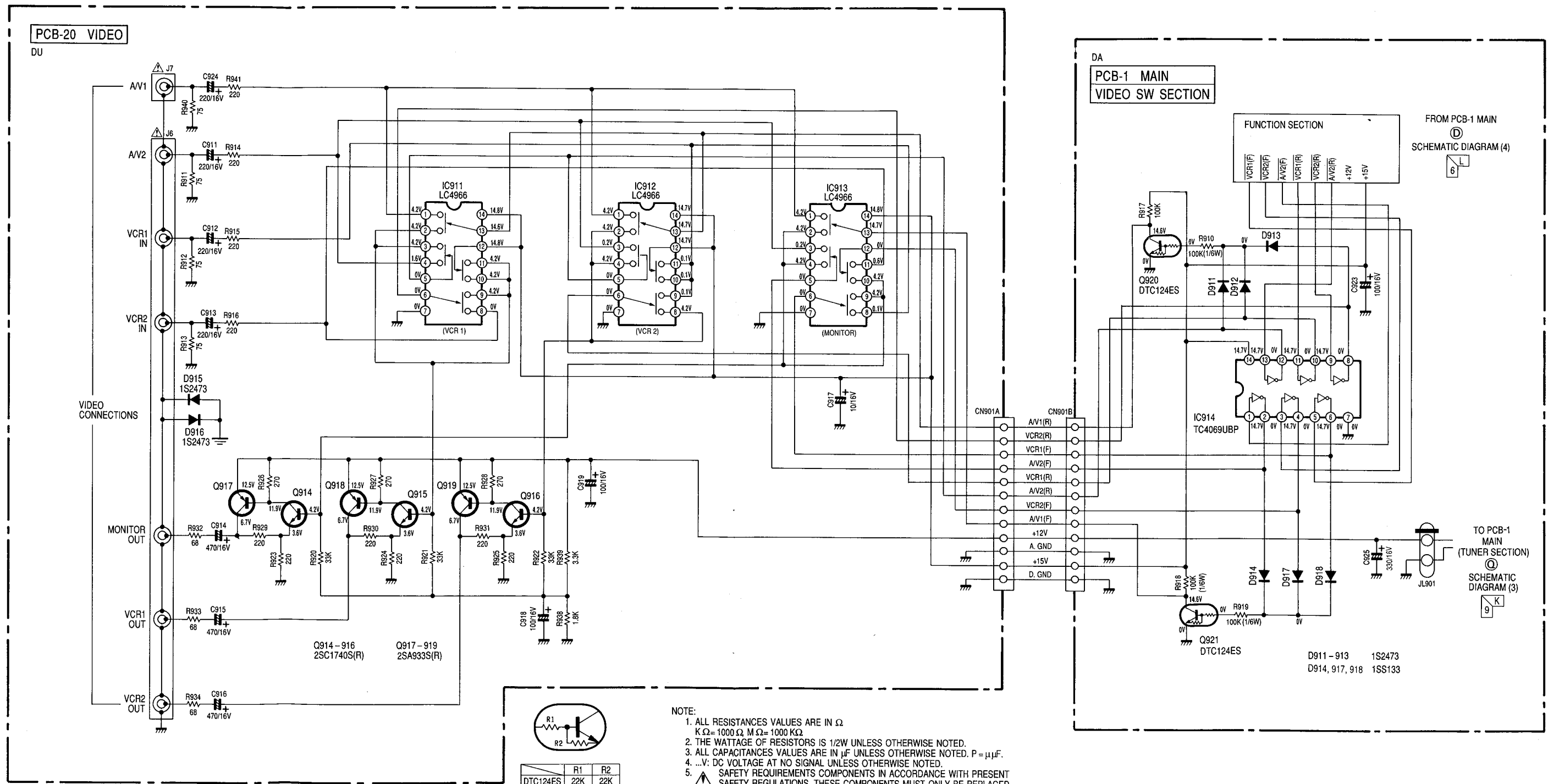
CAPACITOR VALUES ARE IN μF UNLESS OTHERWISE NOTED. $P = \mu\text{pF}$.

NOTE: THERE IS NO SIGNAL UNLESS OTHERWISE NOTED.

REQUIREMENTS COMPLIANT WITH PRESENT REGULATIONS, THESE COMPONENTS MUST ONLY BE REPLACED WITH EQUIVALENT PARTS.

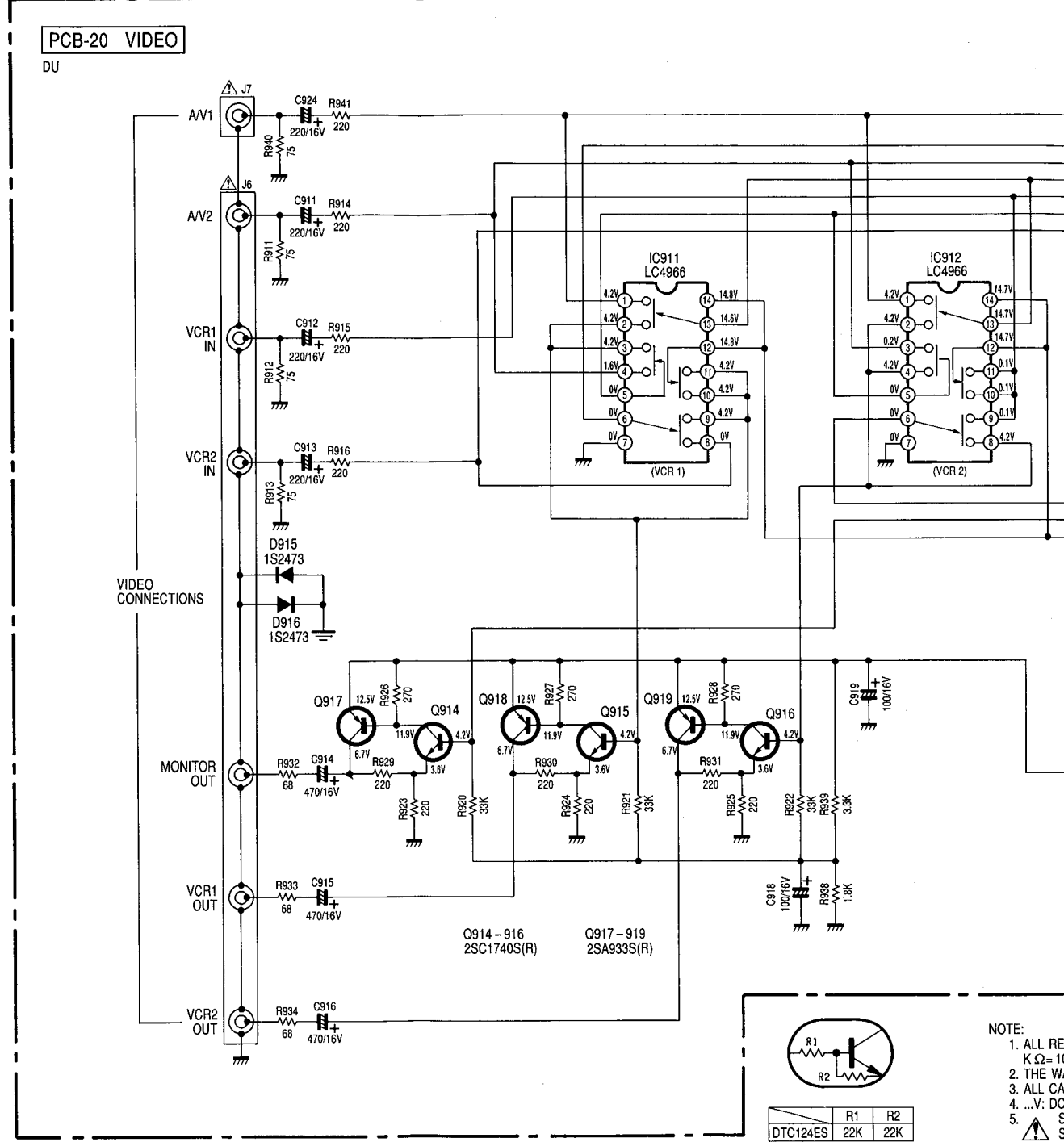
POWER RATING OF RESISTORS IS 1/2W UNLESS OTHERWISE NOTED.

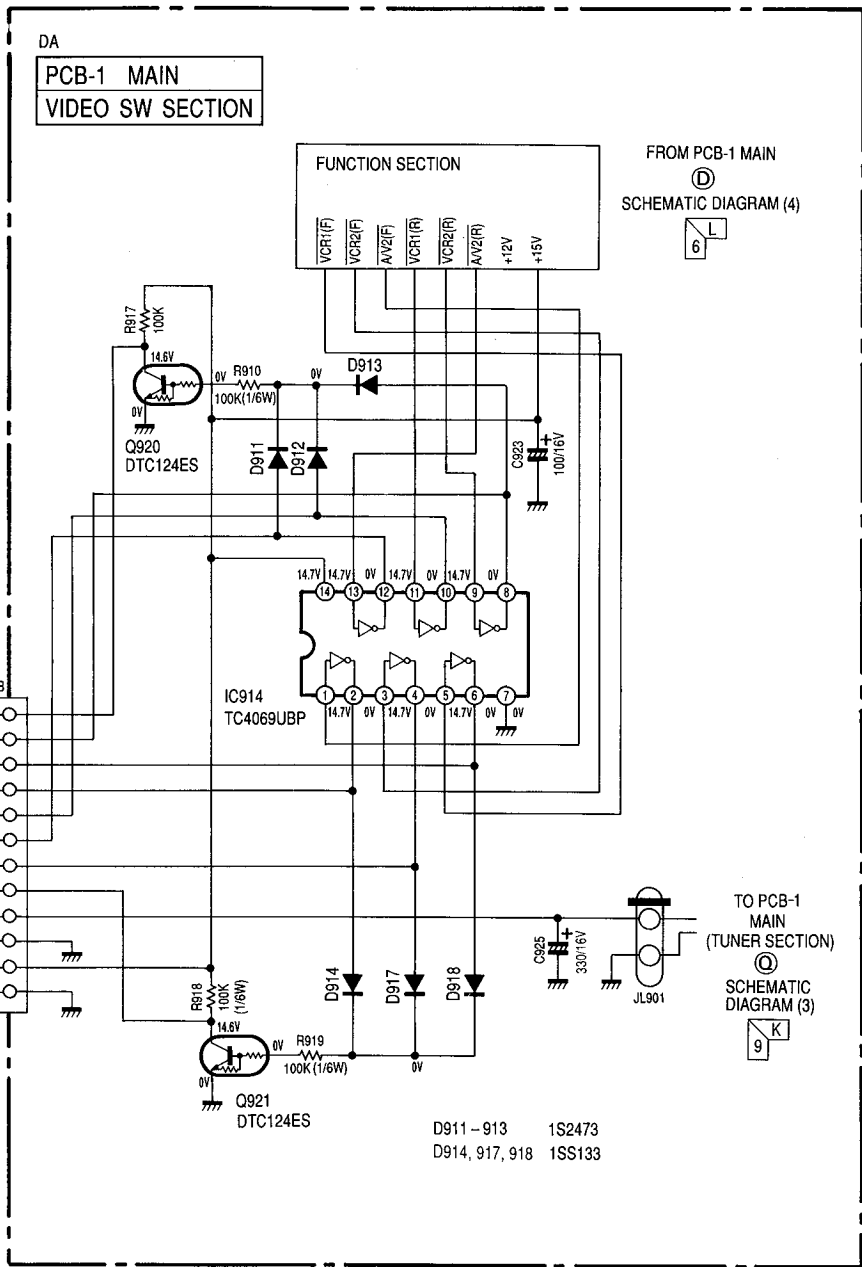
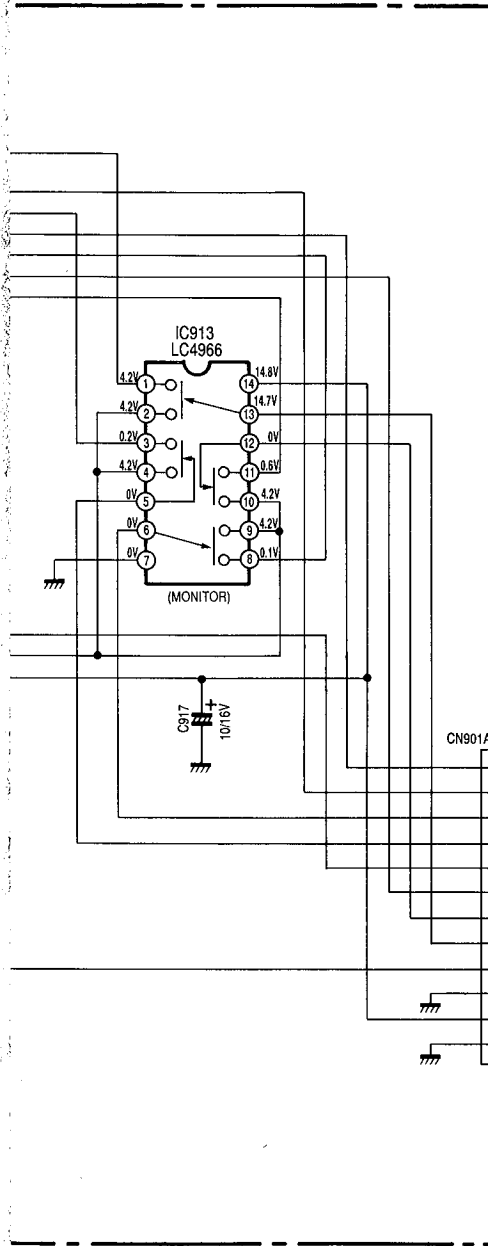
SCHEMATIC DIAGRAM (2)



SCHEMATIC DIAGRAM (2)

1
2
3
4
5
6





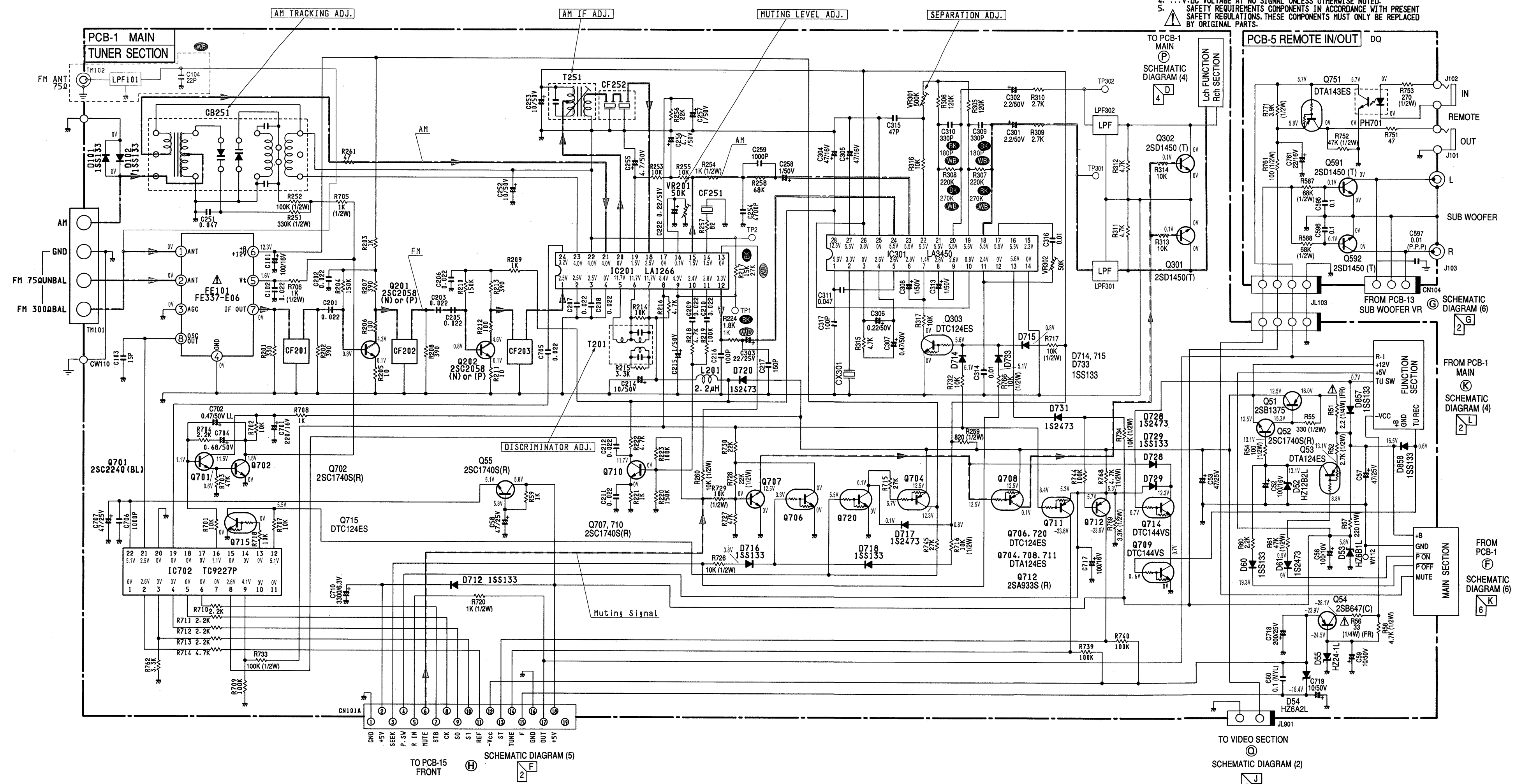
RESISTANCE VALUES ARE IN Ω
 (100 M Ω = 1000 K Ω)
 POWER RATING OF RESISTORS IS 1/2W UNLESS OTHERWISE NOTED.
 CAPACITANCE VALUES ARE IN μ F UNLESS OTHERWISE NOTED. P = μ F.
 VOLTAGE AT NO SIGNAL UNLESS OTHERWISE NOTED.
 COMPONENTS IN ACCORDANCE WITH PRESENT
 REGULATIONS. THESE COMPONENTS MUST ONLY BE REPLACED
 WITH ORIGINAL PARTS.

SCHEMATIC DIAGRAM (3)

- Conditions:
- Set the FM mode by pressing the 'FM' button.
 - Set the Seek-Stereo switch to off (put out seek indicator) position.
 - Set the Function switch to tuner position.

	R1	R2		R1	R2
	DTA124ES	22K	22K	DTC124ES	22K
	DTA143ES	4.7K	4.7K	DTC144VS	47K

- NOTE:
1. ALL RESISTANCE VALUES ARE IN Ω .
K=1000, M=10000.
 2. THE WATTAGE OF RESISTORS IS 1/8W UNLESS OTHERWISE NOTED.
 3. ALL CAPACITANCE VALUES ARE IN μ F UNLESS OTHERWISE NOTED. P=PF.
 4. ... V=DC VOLTAGE AT NO SIGNAL UNLESS OTHERWISE NOTED.
 5. SAFETY REQUIREMENTS COMPONENTS IN ACCORDANCE WITH PRESENT SAFETY REGULATIONS. THESE COMPONENTS MUST ONLY BE REPLACED BY ORIGINAL PARTS.



TO PCB-15 FRONT SCHEMATIC DIAGRAM (5)

TO VIDEO SECTION SCHEMATIC DIAGRAM (2)

FROM PCB-1 MAIN SCHEMATIC DIAGRAM (4)

FROM PCB-1 SUB WOOFER VR SCHEMATIC DIAGRAM (6)

TO PCB-1 MAIN SCHEMATIC DIAGRAM (4)

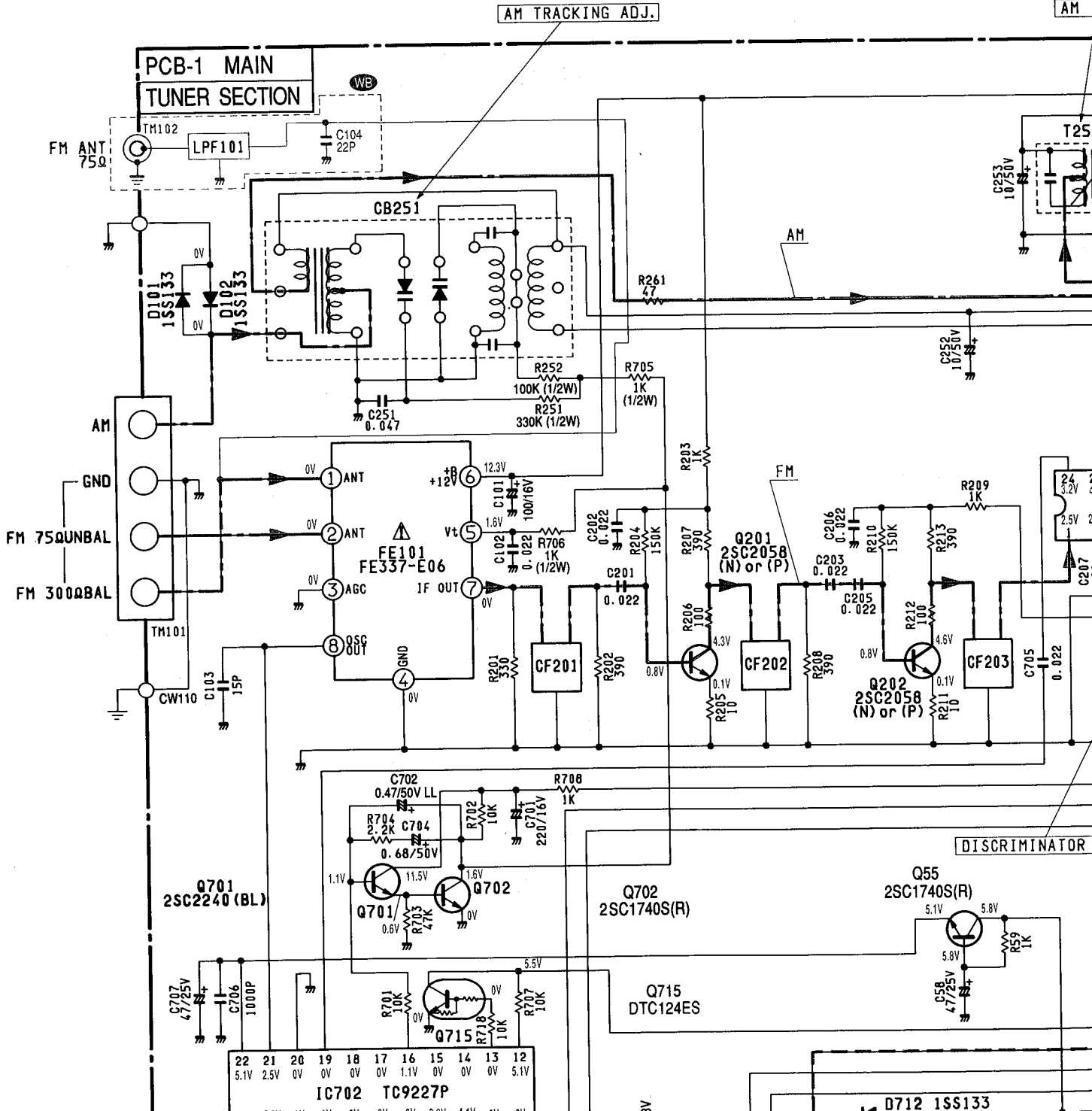
FROM PCB-1 MAIN SCHEMATIC DIAGRAM (4)

1
2
3
4
5
6
7
8
9
10

SCHEMATIC DIAGRAM (3)

Conditions:

- Set the FM mode by
- Set the Seek-Stere
- Set the Function s



PCB-1 MAIN
TUNER SECTION

AM TRACKING ADJ.

AM

AM

FM

DISCRIMINATOR

Q701
2SC2240 (BL)

Q702
2SC1740S(R)

Q55
2SC1740S(R)

Q715
DTC124ES

22 21 20 19 18 17 16 15 14 13 12
5.1V 2.5V 0V 0V 0V 0V 1.1V 0V 0V 0V 5.1V
IC702 TC9227P

D712 1SS133

F

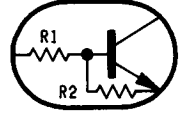
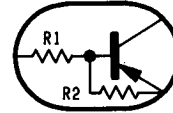
G

H

I

J

ons:
 the FM mode by pressing the 'FM' button.
 the Seek-Stereo switch to off (put out seek indicator) position.
 the Function switch to tuner position.



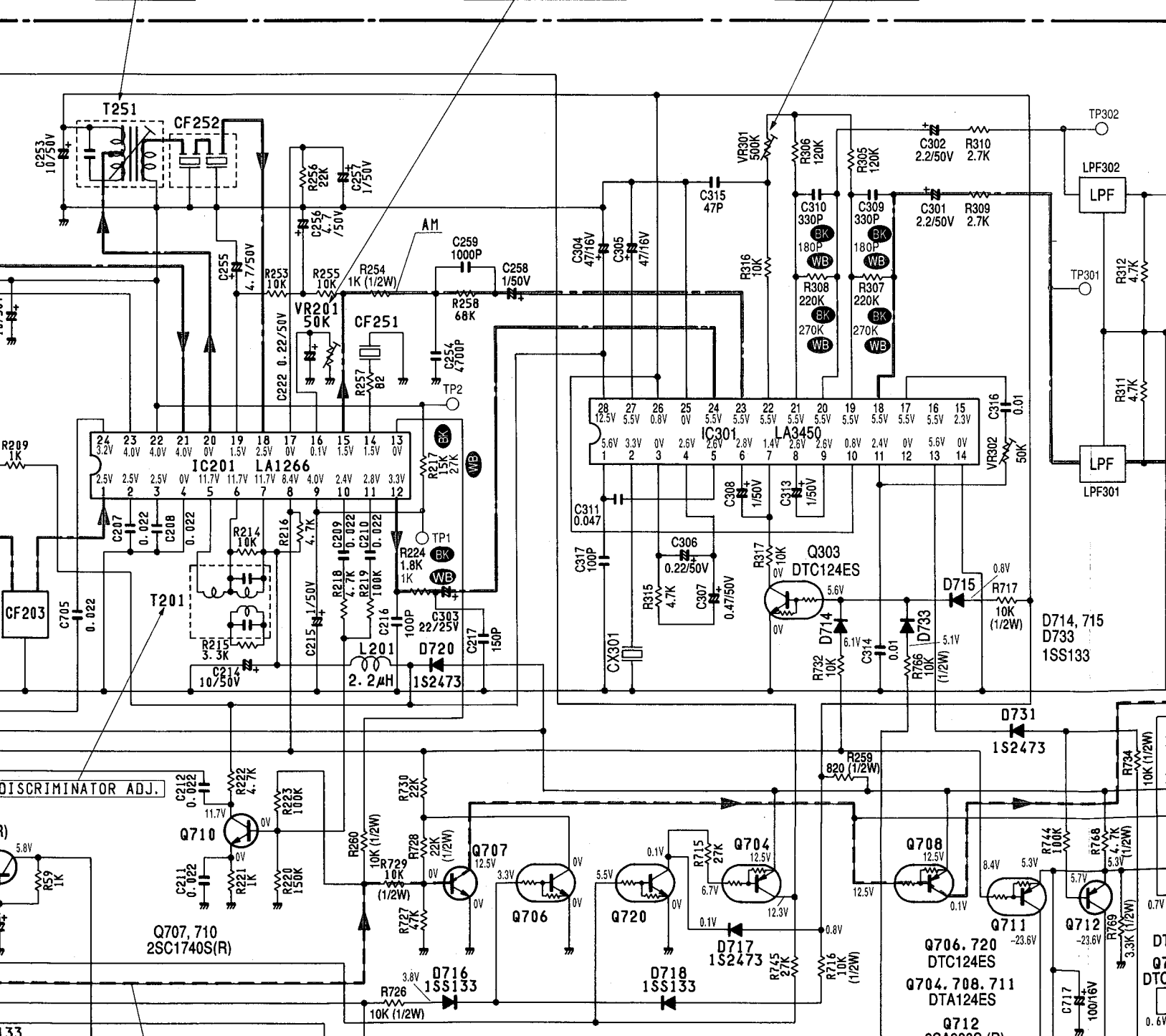
	R1	R2
DTA124ES	22K	22K
DTA143ES	4.7K	4.7K

	R1	R2
DTC124ES	22K	22K
DTC144VS	47K	47K

AM IF ADJ.

MUTING LEVEL ADJ.

SEPARATION ADJ.



DISCRIMINATOR ADJ.

Q707, 710
2SC1740S(R)

Q706, 720
DTC124ES

Q704, 708, 711
DTA124ES

Q712

Q711
-23.6V

Q712
-23.6V

Q717
10016V

Q718
1S2473

Q719
1S2473

Q720
1S2473

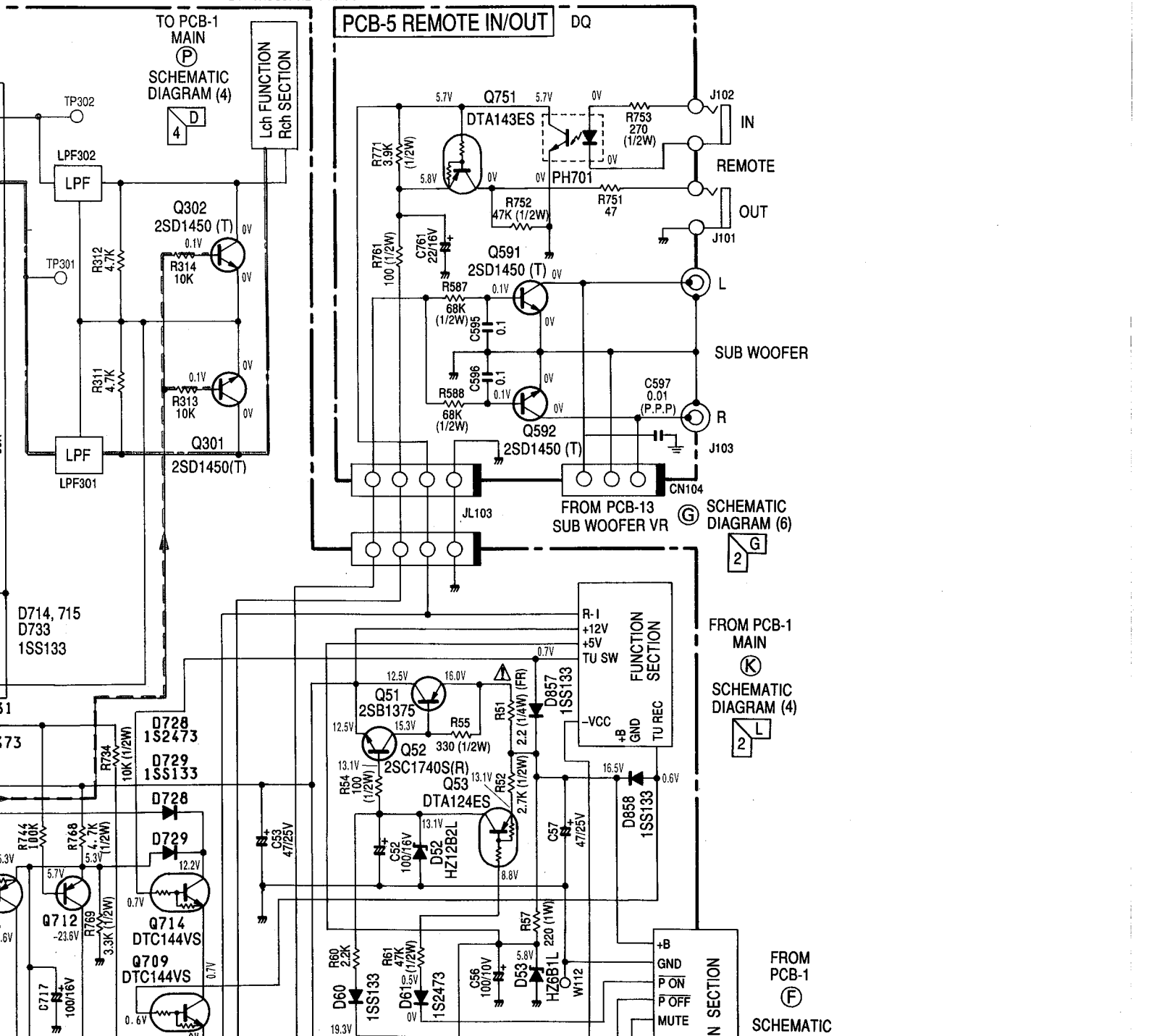
J K L M N

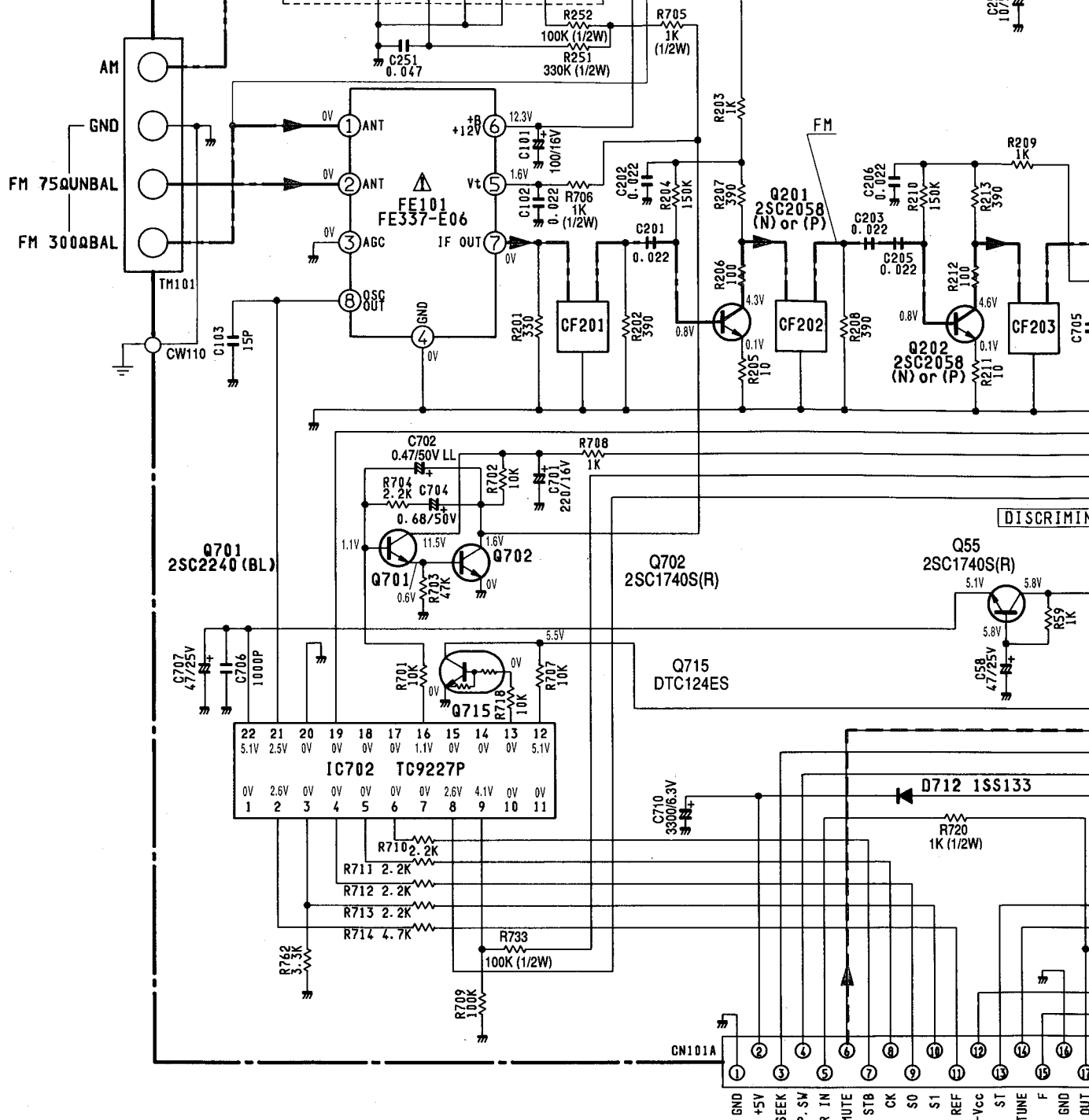


R2
22K
47K

NOTE:

1. ALL RESISTANCES VALUES ARE IN Ω .
K Ω -1000 Ω , M Ω -1000K Ω .
2. THE WATTAGE OF RESISTORS IS 1/6W UNLESS OTHERWISE NOTED.
3. ALL CAPACITANCES VALUES ARE IN μ F UNLESS OTHERWISE NOTED. P= μ F.
4. ...V:DC VOLTAGE AT NO SIGNAL UNLESS OTHERWISE NOTED.
5. SAFETY REQUIREMENTS COMPONENTS IN ACCORDANCE WITH PRESENT SAFETY REGULATIONS. THESE COMPONENTS MUST ONLY BE REPLACED BY ORIGINAL PARTS.

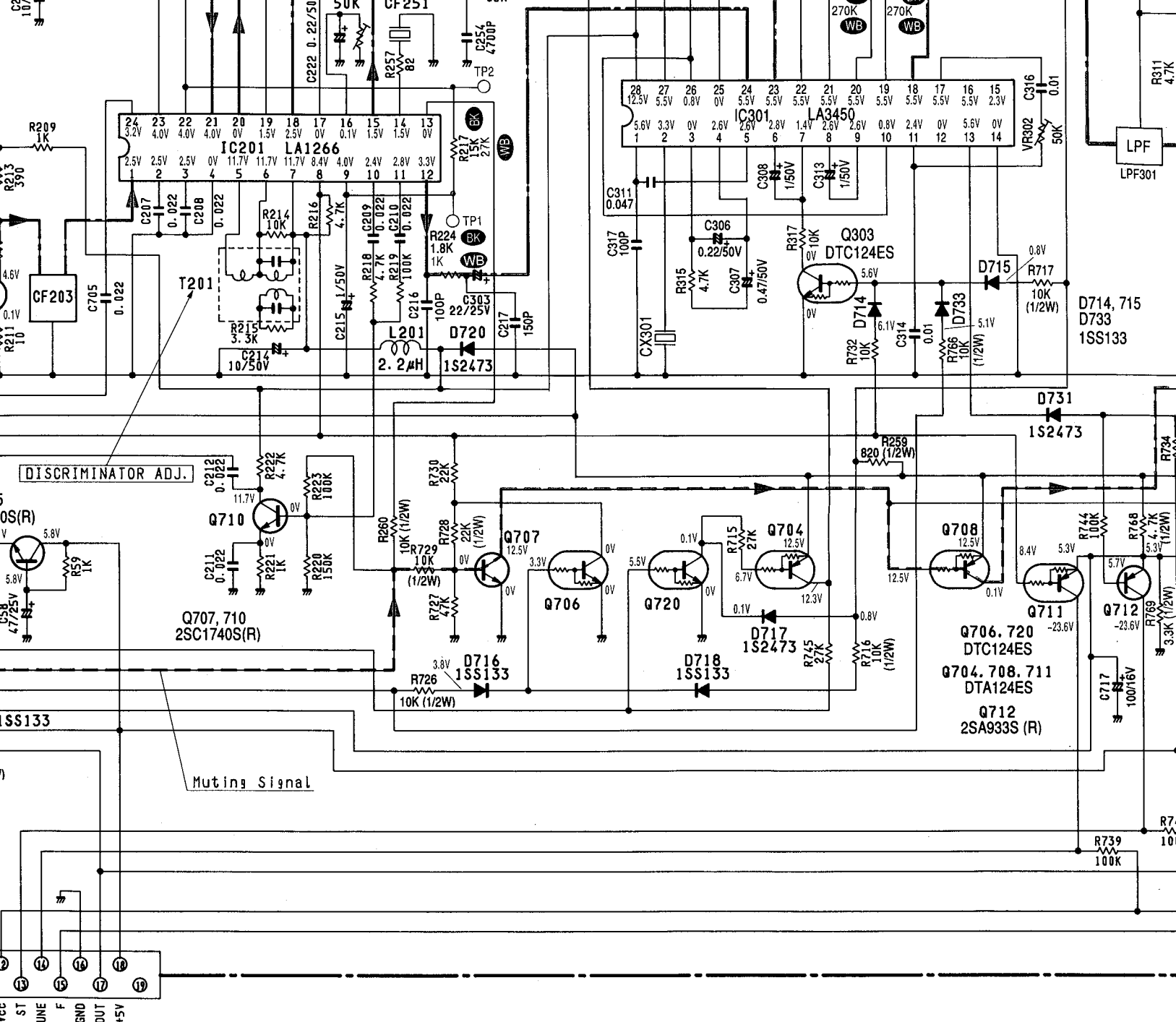




22	21	20	19	18	17	16	15	14	13	12
5.1V	2.5V	0V	0V	0V	0V	1.1V	0V	0V	0V	5.1V
0V	2.6V	0V	0V	0V	0V	0V	2.6V	4.1V	0V	0V
1	2	3	4	5	6	7	8	9	10	11

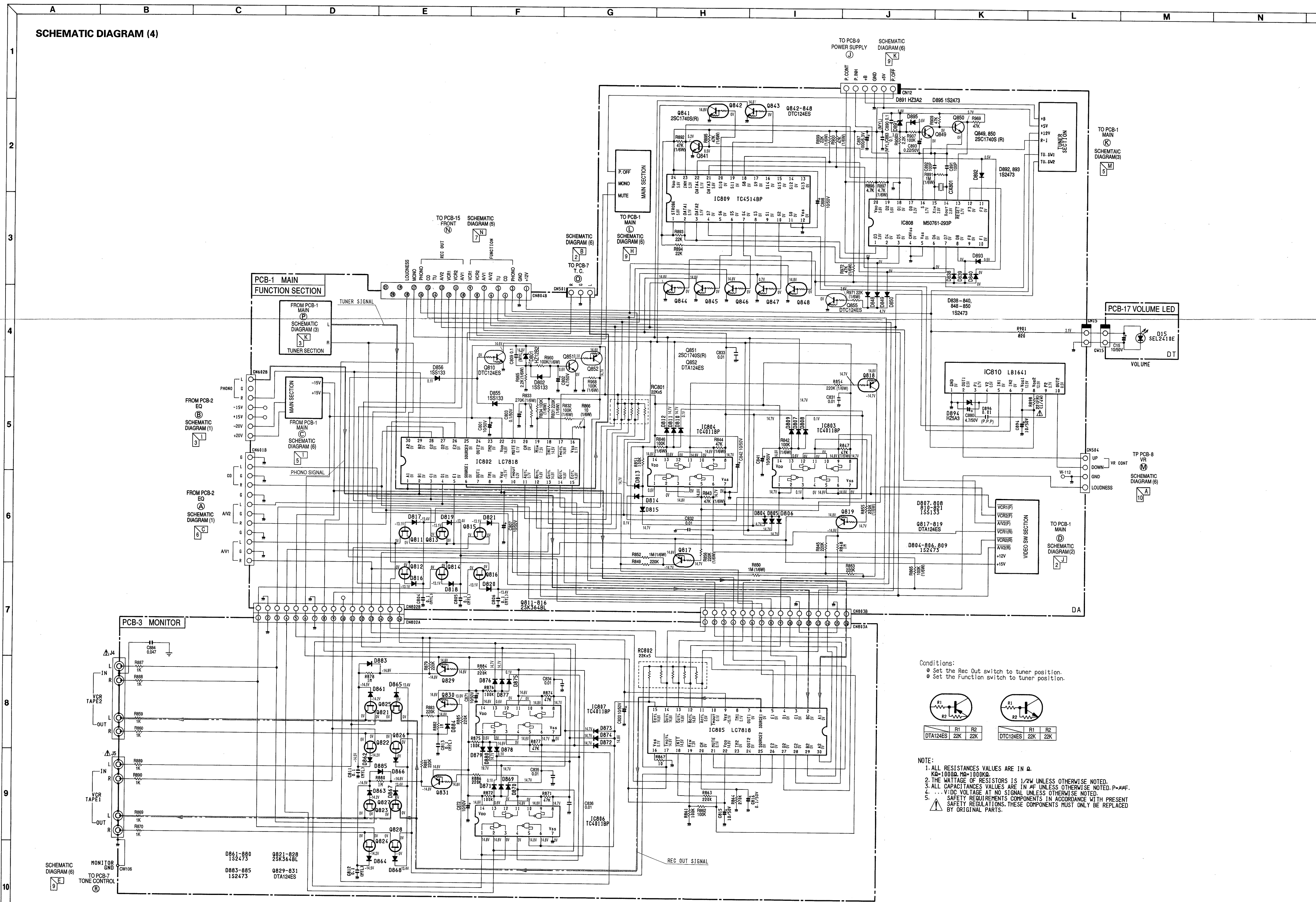
IC702 TC9227P

TO PCB-15 FRONT (H) SCHEMATIC DIAG 2

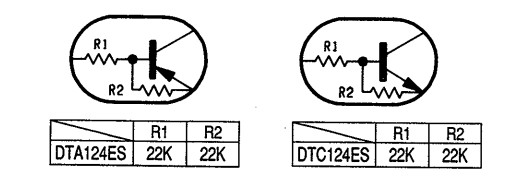


SCHEMATIC DIAGRAM (5)

SCHEMATIC DIAGRAM (4)



Conditions:
 • Set the Rec Out switch to tuner position.
 • Set the Function switch to tuner position.



NOTE:
 1. ALL RESISTANCE VALUES ARE IN Ω.
 2. K=1000Ω, M=1000KΩ.
 3. THE WATTAGE OF RESISTORS IS 1/2W UNLESS OTHERWISE NOTED.
 4. ALL CAPACITANCE VALUES ARE IN μF UNLESS OTHERWISE NOTED. P=μF.
 5. ...V:DC VOLTAGE AT NO SIGNAL UNLESS OTHERWISE NOTED.
 6. SAFETY REQUIREMENTS COMPONENTS IN ACCORDANCE WITH PRESENT SAFETY REGULATIONS THESE COMPONENTS MUST ONLY BE REPLACED BY ORIGINAL PARTS.

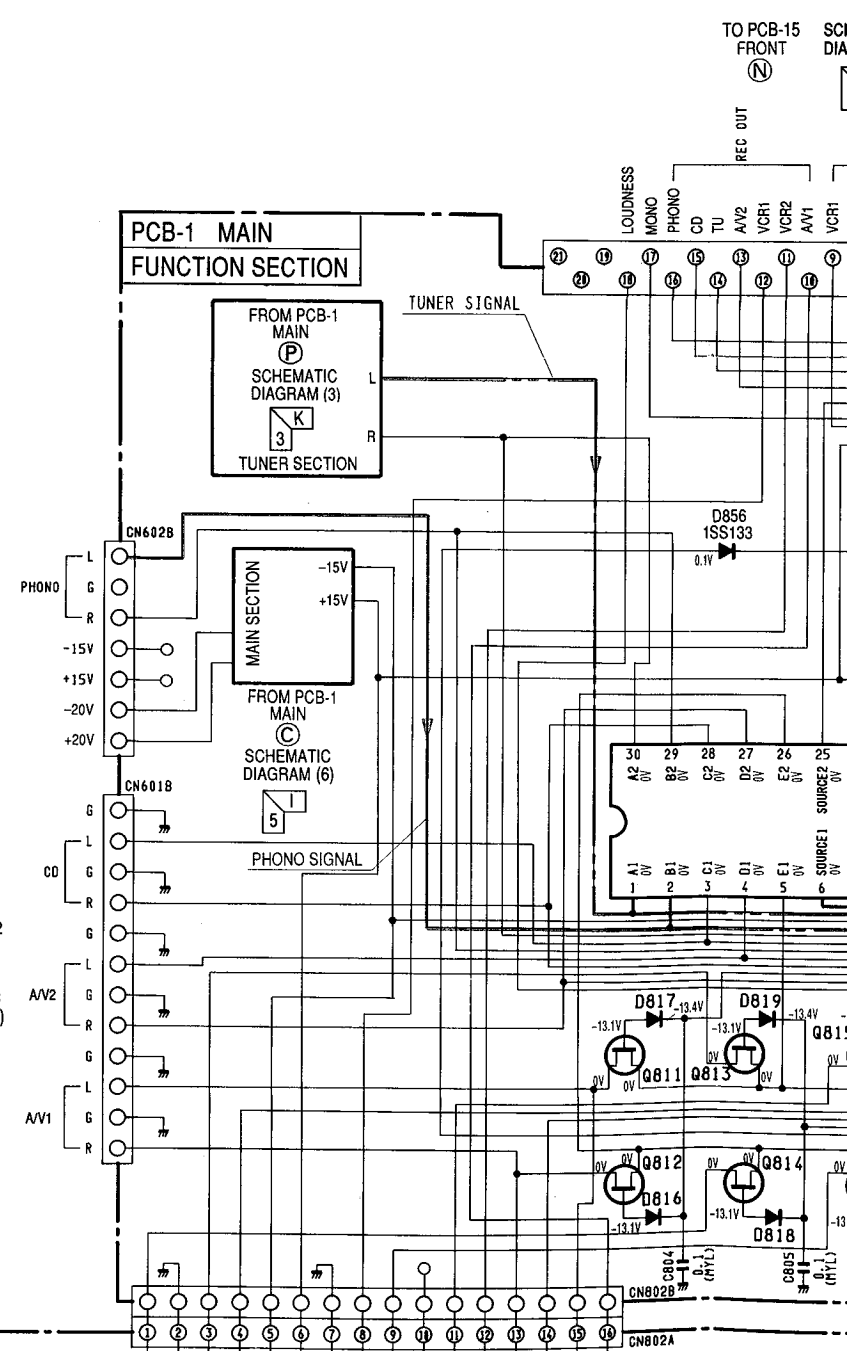
D861-880 1S2473 Q821-828 2SK364BL
 D883-885 1S2473 Q829-831 DTA124ES

SCHEMATIC DIAGRAM (6)
 TO PCB-7 TONE CONTROL

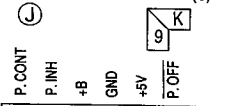
SCHEMATIC DIAGRAM (4)

1
2
3
4
5
6
7

A B C D E



TO PCB-9 POWER SUPPLY SCHEMATIC DIAGRAM (6)



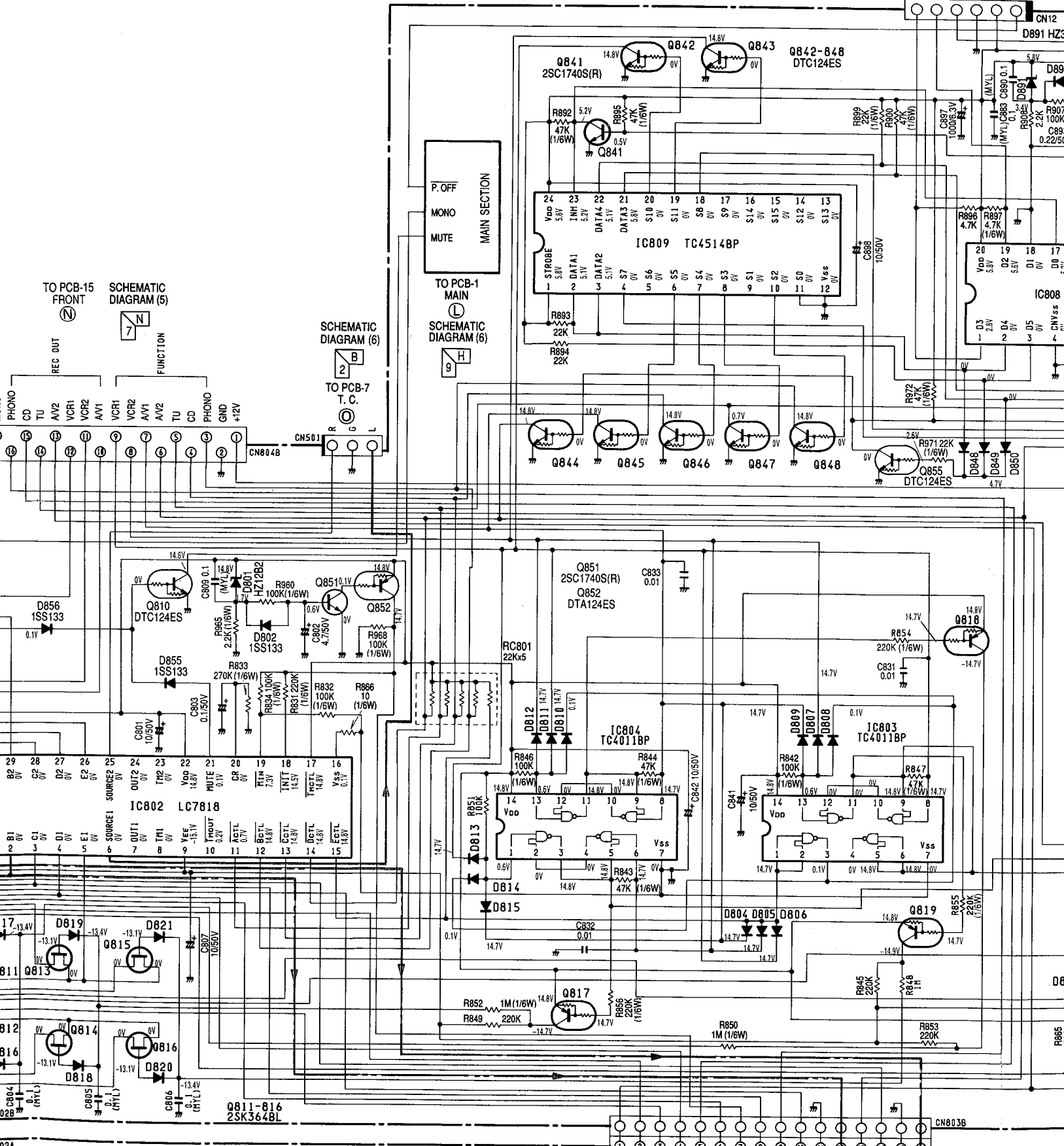
TO PCB-15 FRONT SCHEMATIC DIAGRAM (5)



TO PCB-7 T.C. SCHEMATIC DIAGRAM (6)



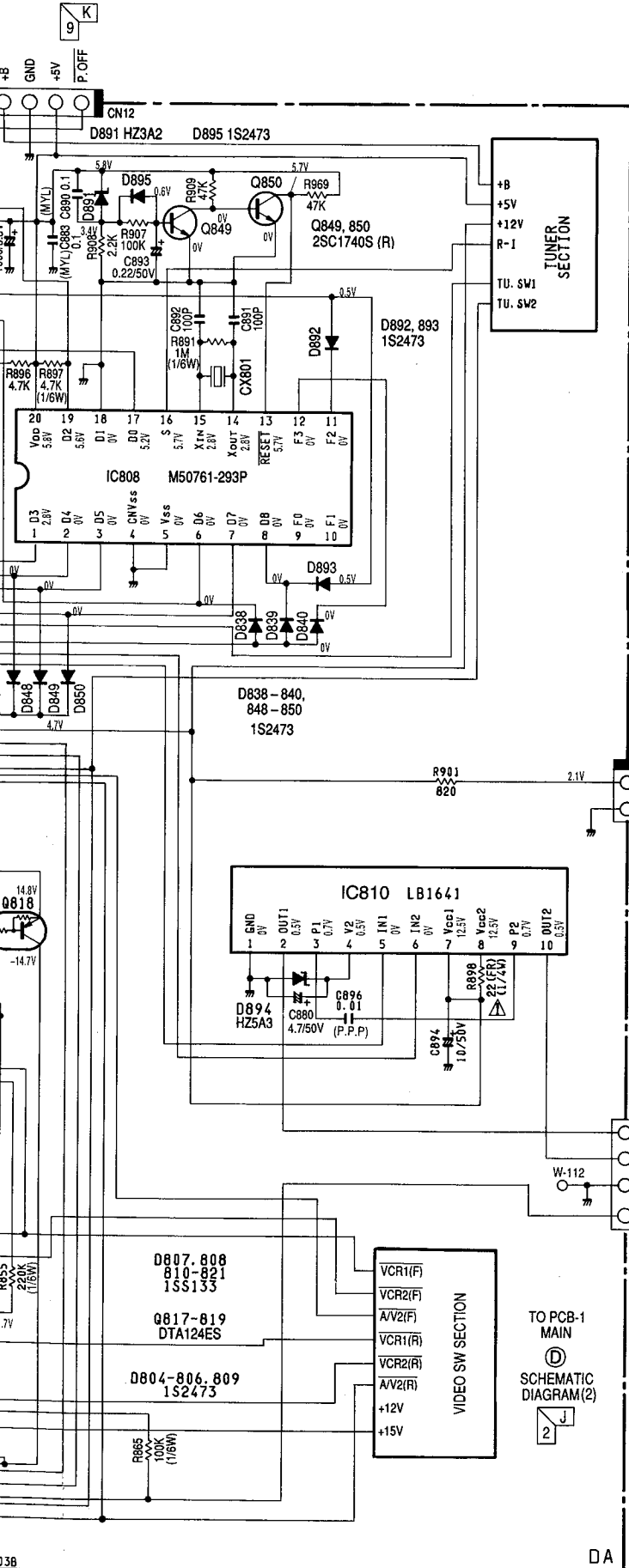
TO PCB-1 MAIN SCHEMATIC DIAGRAM (6)



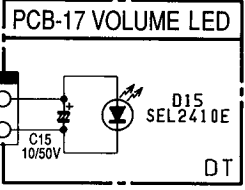
Q811-816 2SK3648L

CN803B

SCHMATIC DIAGRAM (6)



TO PCB-1 MAIN
 (K) SCHEMATIC DIAGRAM(3)




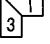
TP PCB-8
 VR CONT
 (M) SCHEMATIC DIAGRAM (6)

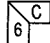



TO PCB-1 MAIN
 (D) SCHEMATIC DIAGRAM(2)



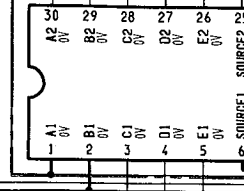
SCHEMATIC DIAGRAM (3)

 TUNER SECTION

FROM PCB-2
 EQ
 (B)
 SCHEMATIC
 DIAGRAM (1)


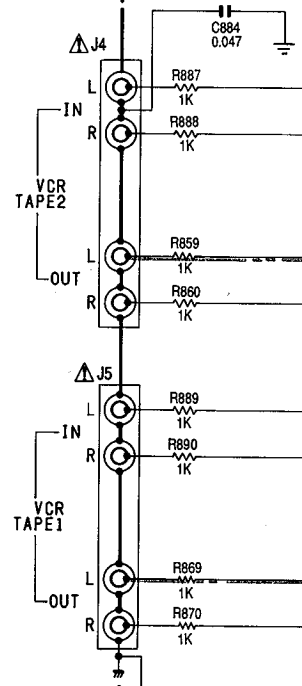
FROM PCB-2
 EQ
 (A)
 SCHEMATIC
 DIAGRAM (1)


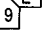
MAIN SECTION
 -15V
 +15V
 FROM PCB-1
 MAIN
 (C)
 SCHEMATIC
 DIAGRAM (6)


PHONO SIGNAL



PCB-3 MONITOR

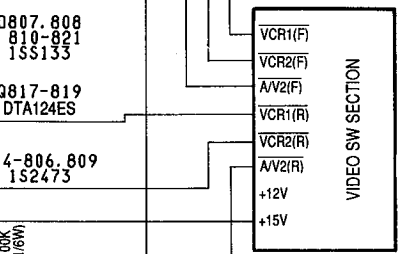
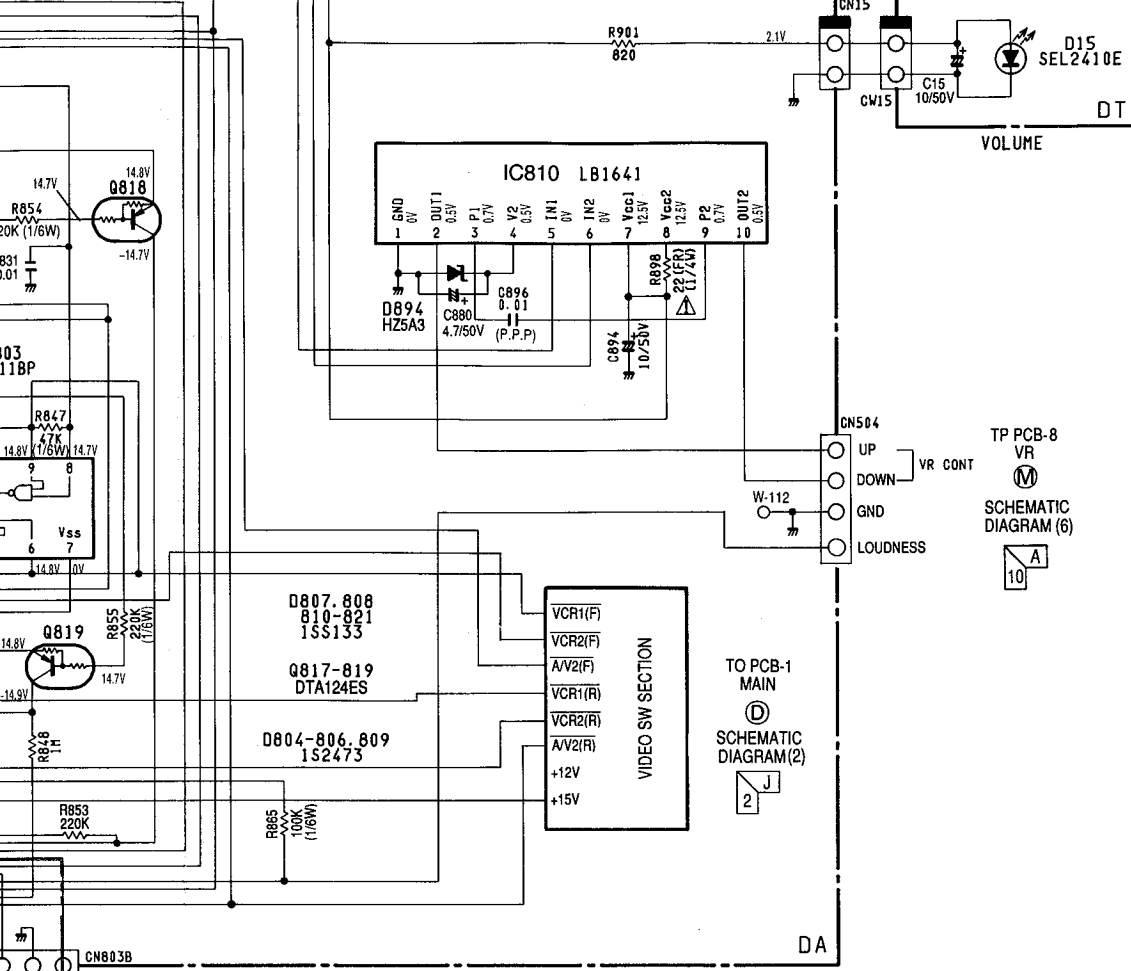


SCHEMATIC
 DIAGRAM (6)


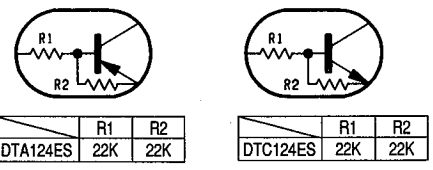
MONITOR
 GND
 TO PCB-7
 TONE CONTROL
 (R)

- | | |
|--------------------|----------------------|
| D861-880
1S2473 | Q821-828
25K364BL |
| D883-885
1S2473 | Q829-831
DTA124ES |

4
5
6
7
8
9
10



Conditions:
 Ⓞ Set the Rec Out switch to tuner position.
 Ⓞ Set the Function switch to tuner position.



NOTE:
 1. ALL RESISTANCES VALUES ARE IN Ω .
 $K\Omega=1000\Omega$, $M\Omega=1000K\Omega$.
 2. THE WATTAGE OF RESISTORS IS 1/2W UNLESS OTHERWISE NOTED.
 3. ALL CAPACITANCES VALUES ARE IN μF UNLESS OTHERWISE NOTED. P=# μF .
 4. ... V:DC VOLTAGE AT NO SIGNAL UNLESS OTHERWISE NOTED.
 5. SAFETY REQUIREMENTS COMPONENTS IN ACCORDANCE WITH PRESENT SAFETY REGULATIONS. THESE COMPONENTS MUST ONLY BE REPLACED BY ORIGINAL PARTS.

SCHEMATIC DIAGRAM (5)

Conditions:

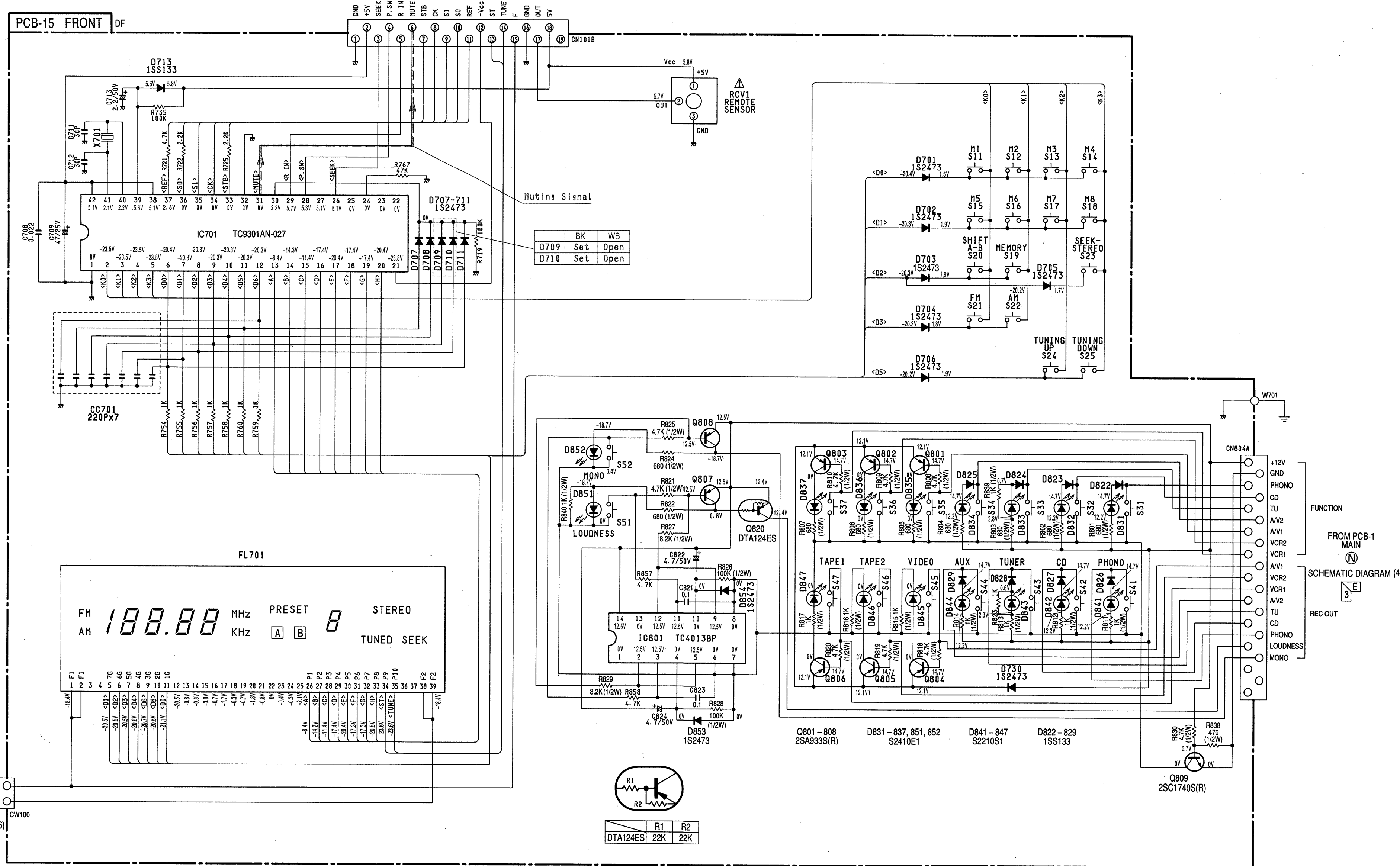
- Set the FM mode by pressing the 'FM' button.
- Set the Seek-Stereo switch to off (put out seek indicator) position.
- Set the Rec Out switch to tuner position.
- Set the Function switch to tuner position.

NOTE:

1. ALL RESISTANCE VALUES ARE IN Ω .
K Ω =1000 Ω , M Ω =1000K Ω .
2. THE WATTAGE OF RESISTORS IS 1/6W UNLESS OTHERWISE NOTED.
3. ALL CAPACITANCE VALUES ARE IN μ F UNLESS OTHERWISE NOTED. P= μ F.
4. ...V:DC VOLTAGE AT NO SIGNAL UNLESS OTHERWISE NOTED.
5. SAFETY REQUIREMENTS COMPONENTS IN ACCORDANCE WITH PRESENT SAFETY REGULATIONS. THESE COMPONENTS MUST ONLY BE REPLACED BY ORIGINAL PARTS.

FROM PCB-1 MAIN SCHEMATIC DIAGRAM (3)

PCB-15 FRONT DF



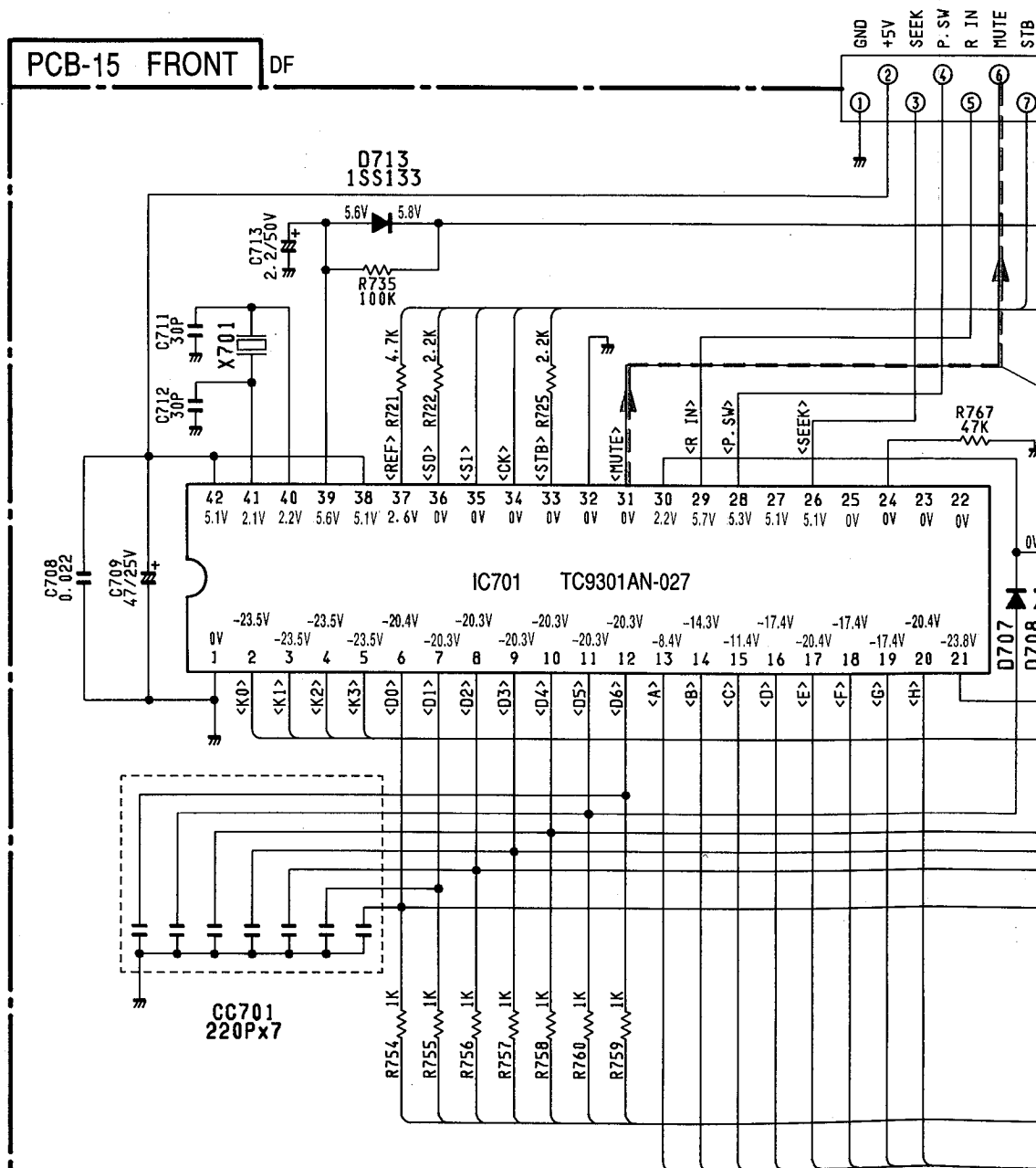
FROM PCB-9 POWER SUPPLY SCHEMATIC DIAGRAM (6)

	R1	R2
DTA124ES	22K	22K

SCHEMATIC DIAGRAM (5)

Conditions:

- Set the FM mode by pressing the 'FM' button.
- Set the Seek-Stereo switch to off (put out seek indicator) position.
- Set the Rec Out switch to tuner position.
- Set the Function switch to tuner position.



F


G

H

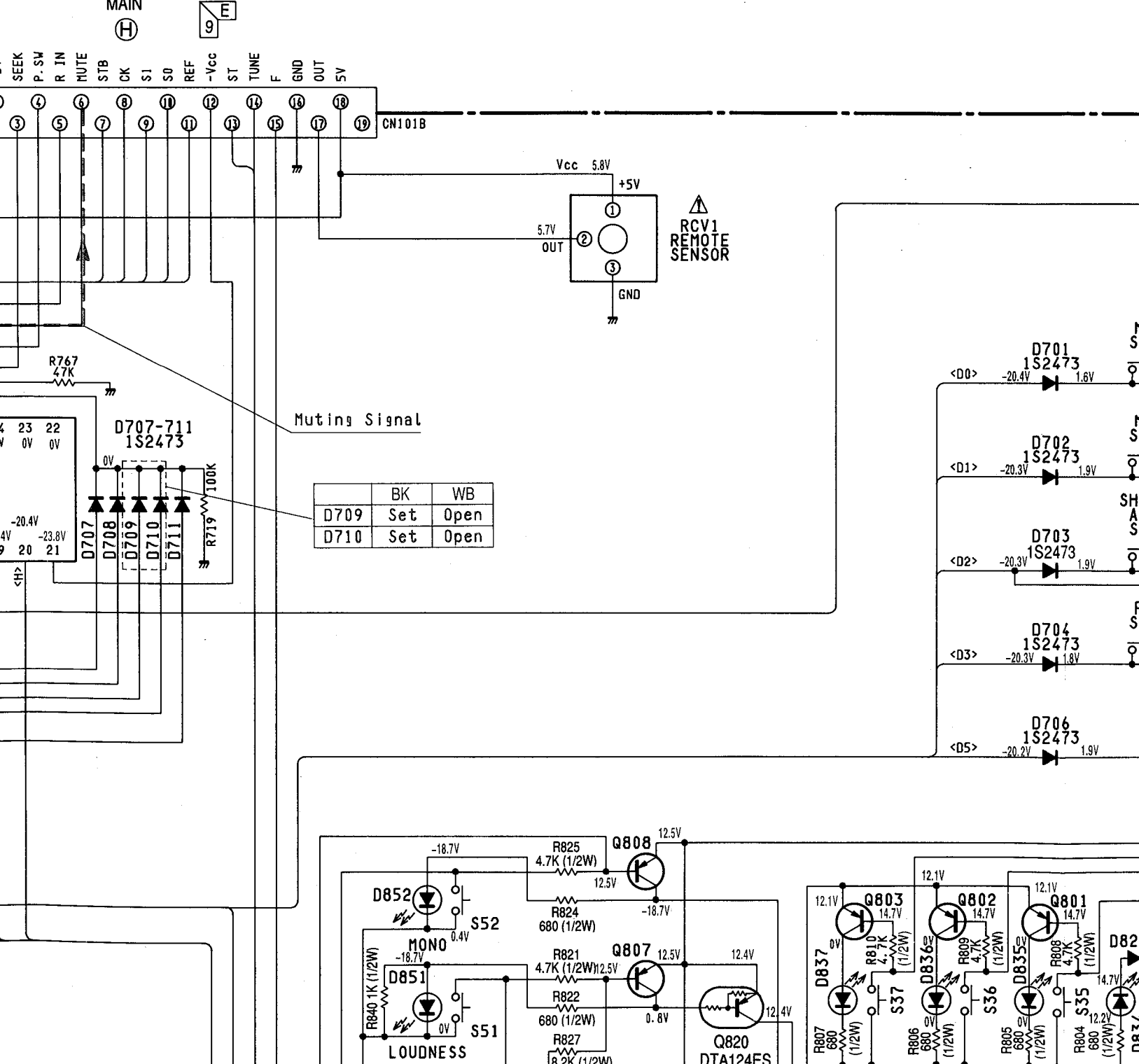
I

J

NOTE:

1. ALL RESISTANCES VALUES ARE IN Ω .
 $K\Omega=1000\Omega$, $M\Omega=1000K\Omega$.
2. THE WATTAGE OF RESISTORS IS 1/6W UNLESS OTHERWISE NOTED.
3. ALL CAPACITANCES VALUES ARE IN μF UNLESS OTHERWISE NOTED. $P=\mu\mu F$.
4. ...V:DC VOLTAGE AT NO SIGNAL UNLESS OTHERWISE NOTED.
5.  SAFETY REQUIREMENTS COMPONENTS IN ACCORDANCE WITH PRESENT SAFETY REGULATIONS. THESE COMPONENTS MUST ONLY BE REPLACED BY ORIGINAL PARTS.

FROM PCB-1 MAIN
SCHEMATIC DIAGRAM (3)



9

H

19

CN101B

Vcc 5.8V

+5V

5.7V

GND

RCV1
REMOTE
SENSOR

Muting Signal

	BK	WB
D709	Set	Open
D710	Set	Open

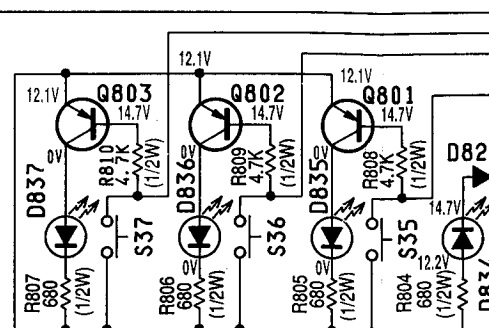
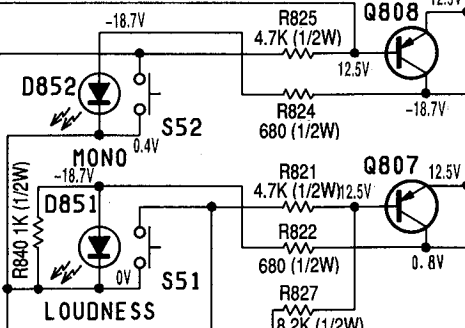
D701
1S2473
<D0> -20.4V 1.6V

D702
1S2473
<D1> -20.3V 1.9V

D703
1S2473
<D2> -20.3V 1.9V

D704
1S2473
<D3> -20.3V 1.8V

D706
1S2473
<D5> -20.2V 1.9V



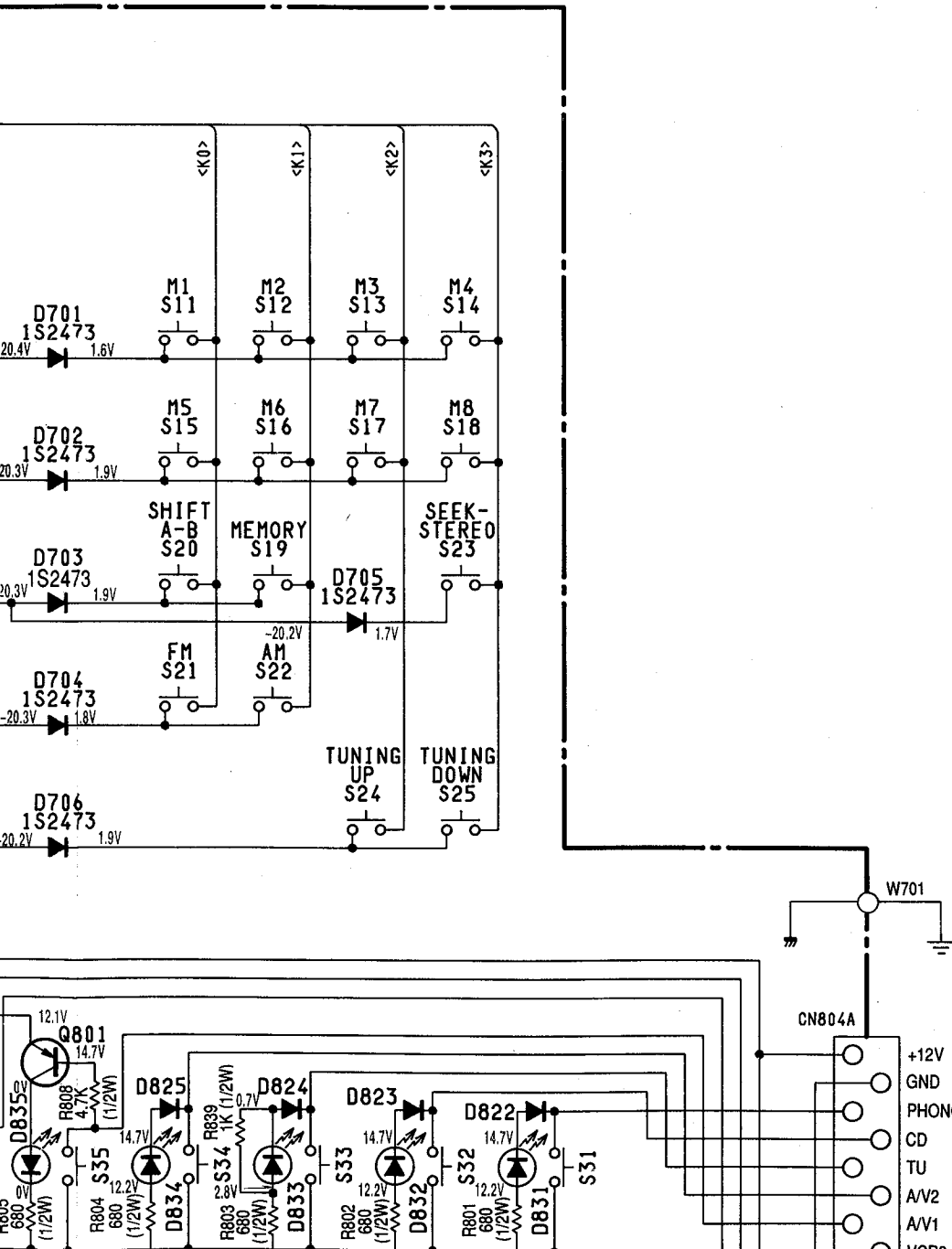
J

K

L

M

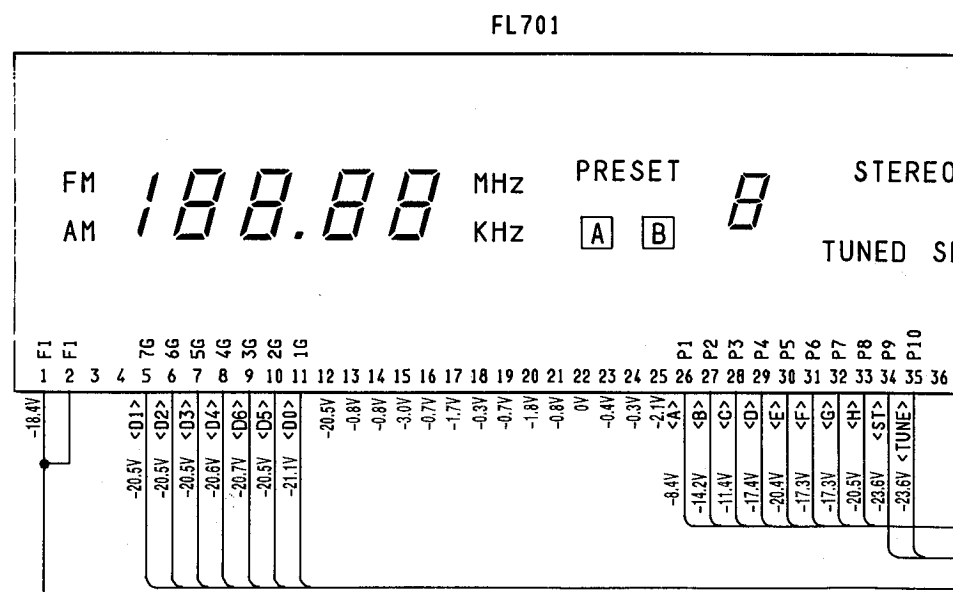
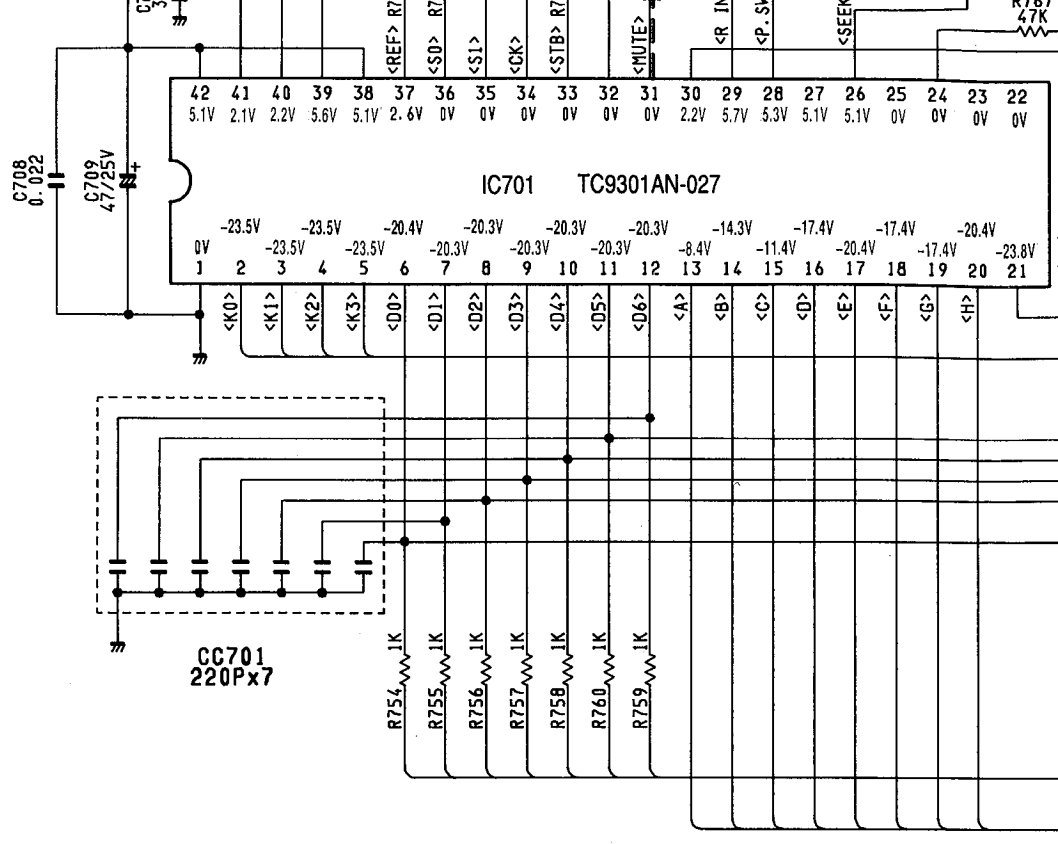
N



FUNCTION

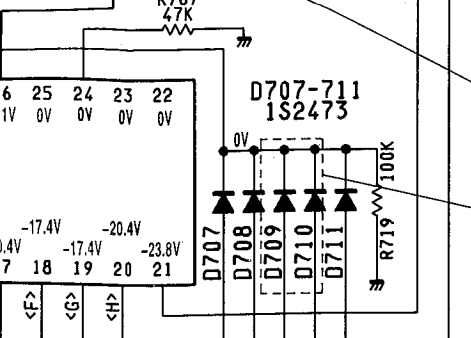
FROM PCB-1

4
5
6
7
8
9
10



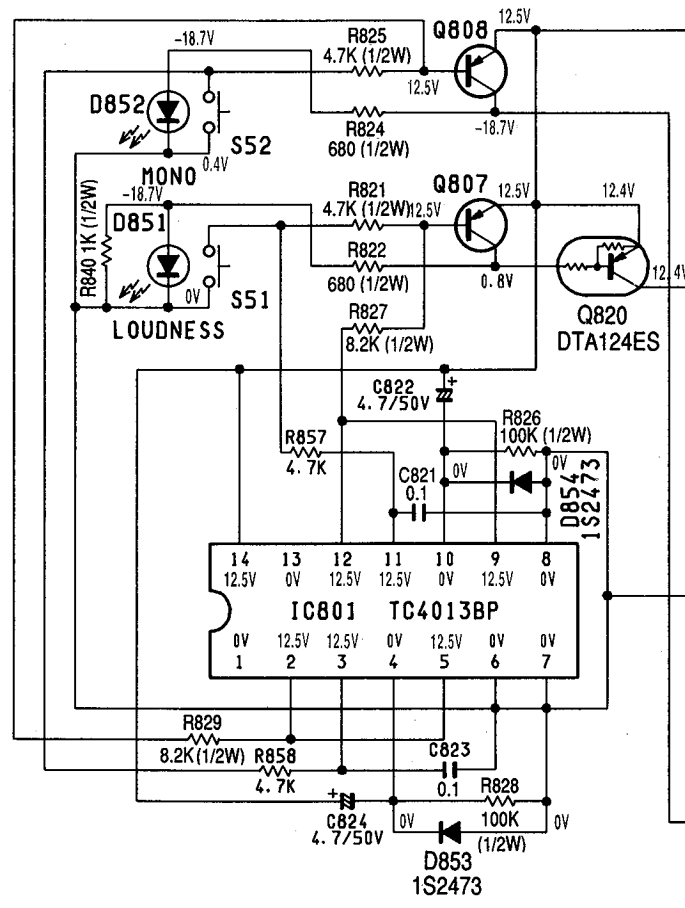
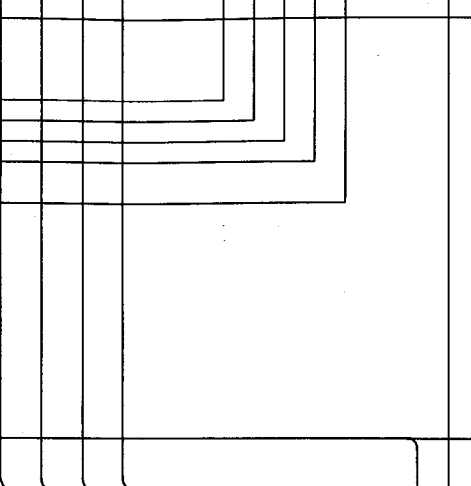
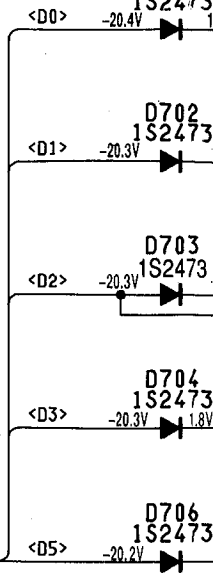
FROM PCB-9
POWER SUPPLY
①
SCHEMATIC DIAGRAM (6)
5

CW100

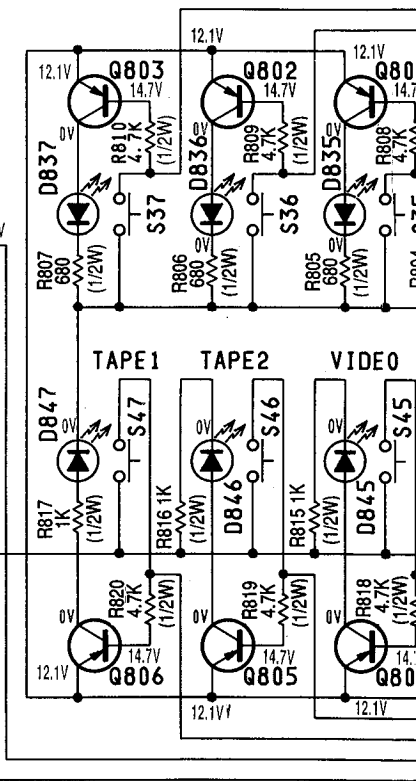
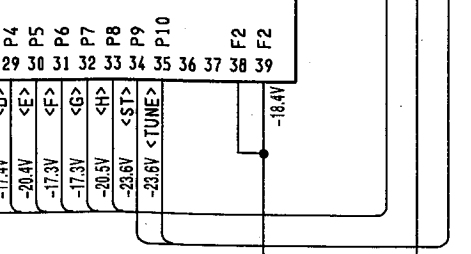


Muting Signal

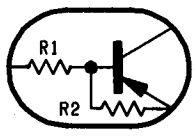
	BK	WB
D709	Set	Open
D710	Set	Open



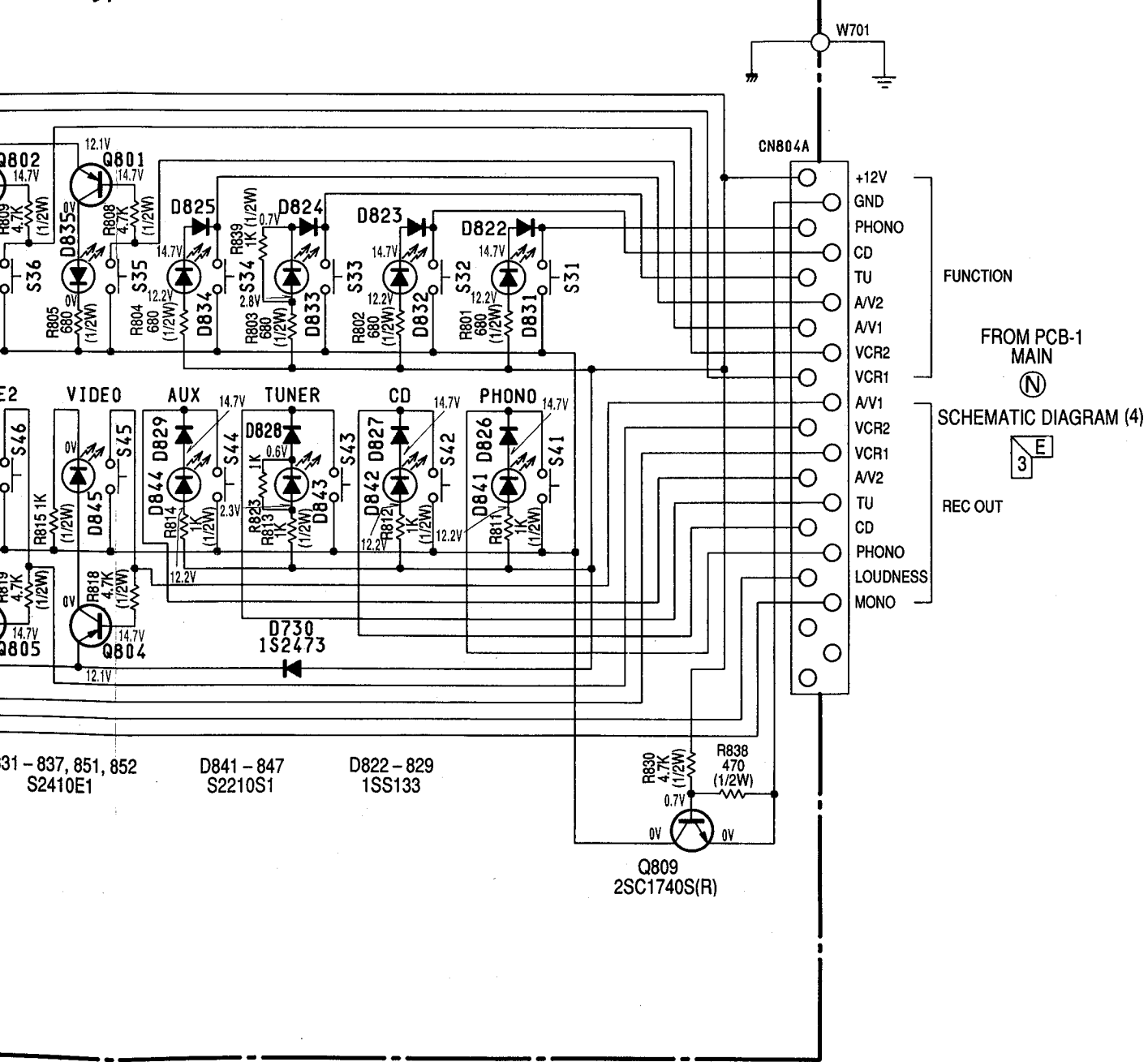
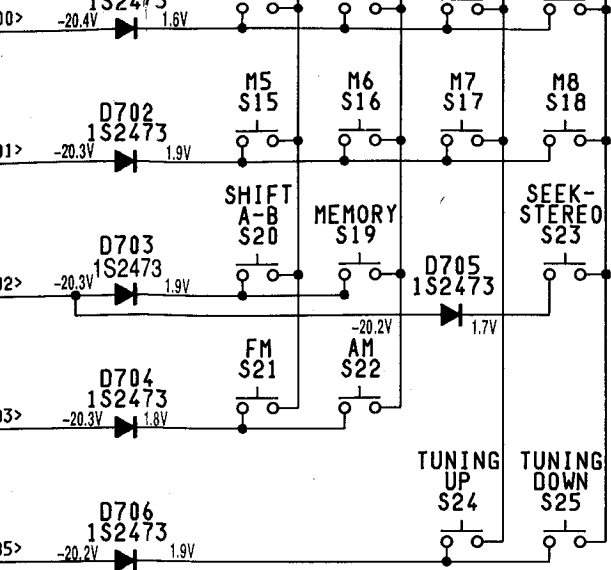
STEREO
TUNED SEEK



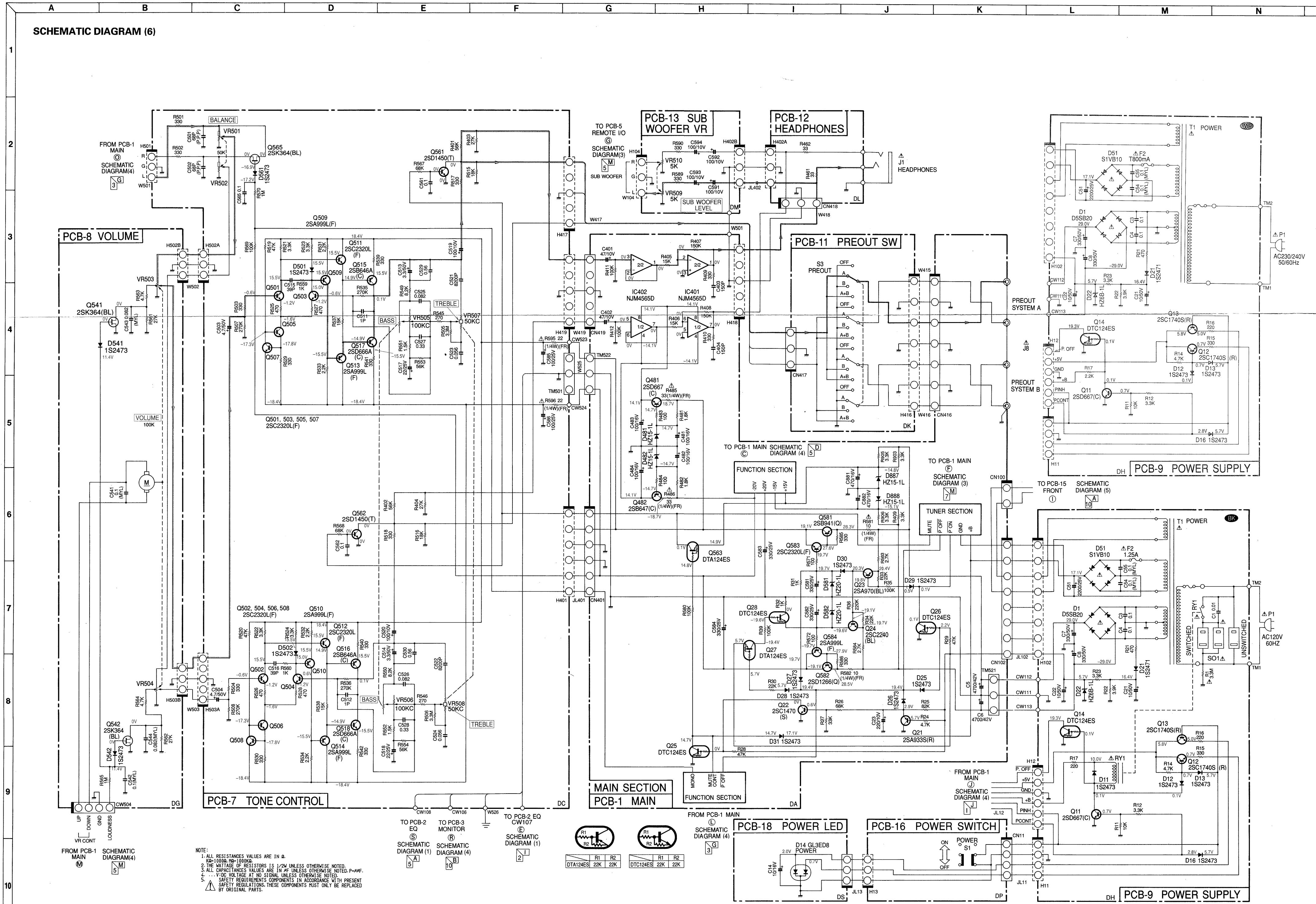
Q801 - 808
2SA933S(R)
D831 - 837, 851, 852
S2410E1



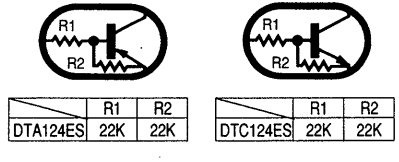
	R1	R2
DTA124ES	22K	22K



SCHEMATIC DIAGRAM (6)



NOTE:
 1. ALL RESISTANCE VALUES ARE IN Ω.
 2. K=1000, M=10000.
 3. THE MATH OF RESISTORS IS 1/2W UNLESS OTHERWISE NOTED.
 4. ALL CAPACITANCE VALUES ARE IN pF UNLESS OTHERWISE NOTED.
 5. V=DC VOLTAGE AT NO SIGNAL UNLESS OTHERWISE NOTED.
 6. SAFETY REQUIREMENTS COMPONENTS IN ACCORDANCE WITH PRESENT SAFETY REGULATIONS, THESE COMPONENTS MUST ONLY BE REPLACED BY ORIGINAL PARTS.



SCHMATIC DIAGRAM (6)

1

2

3

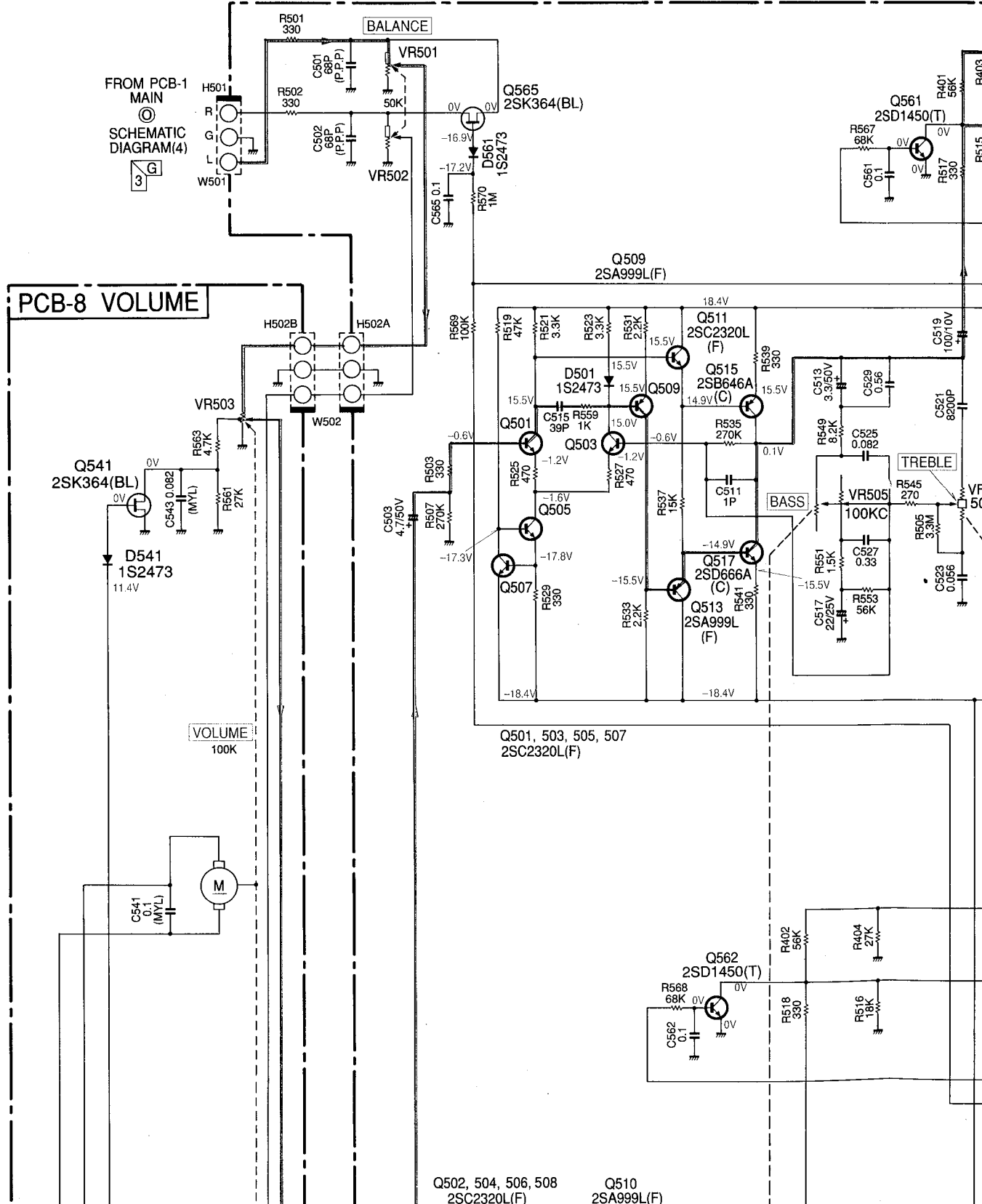
4

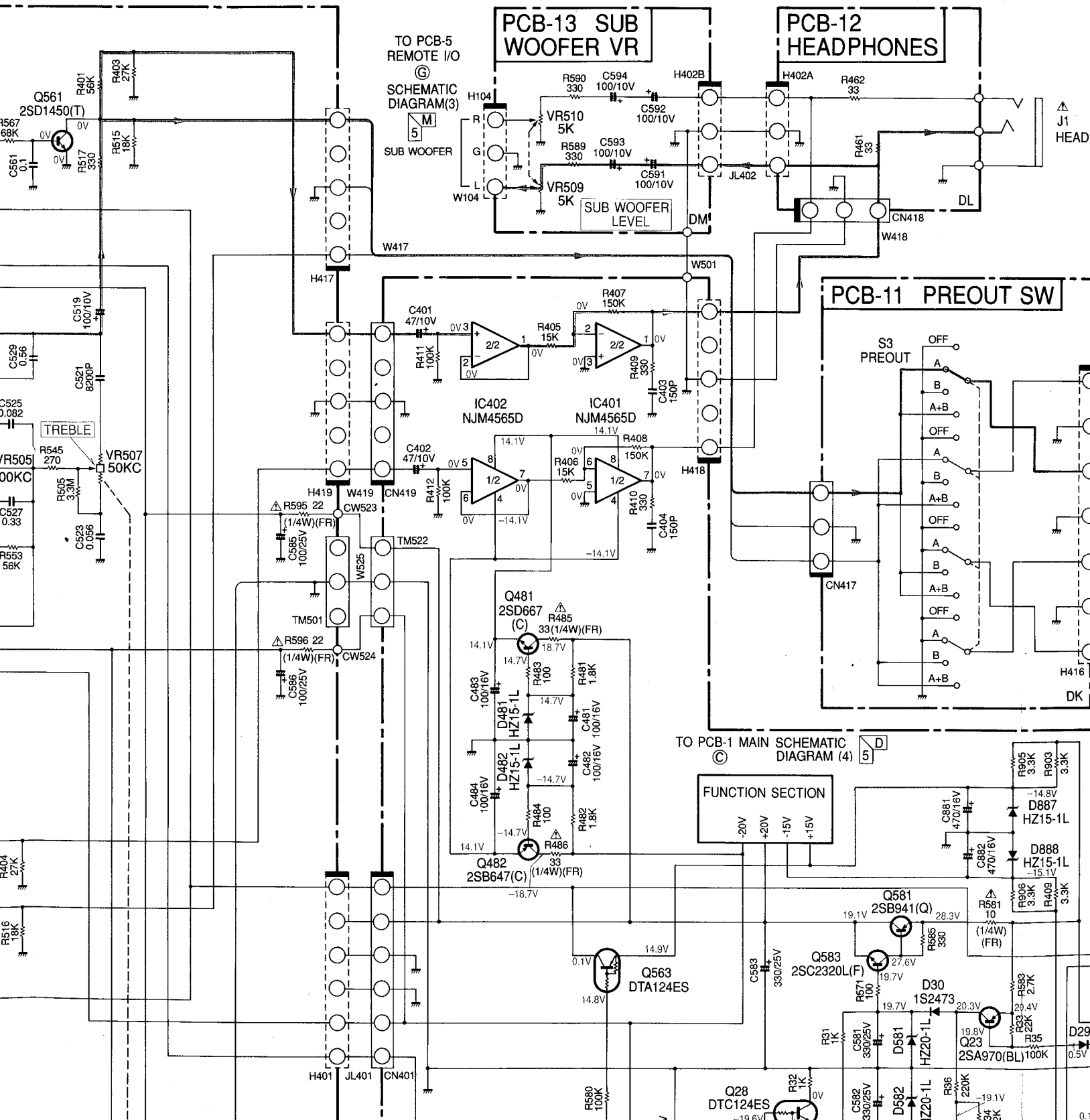
5

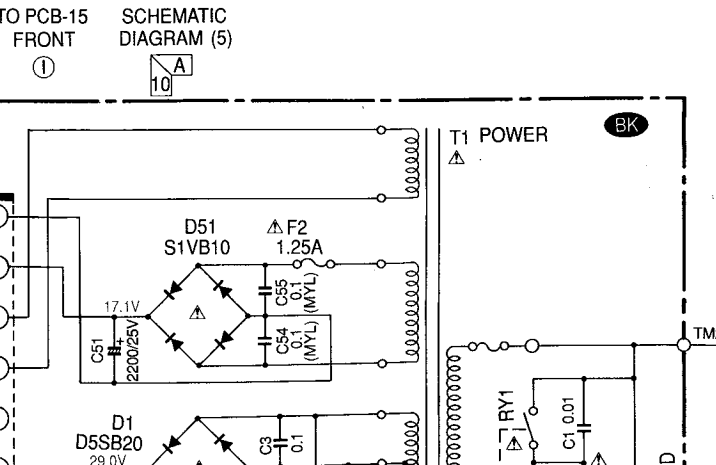
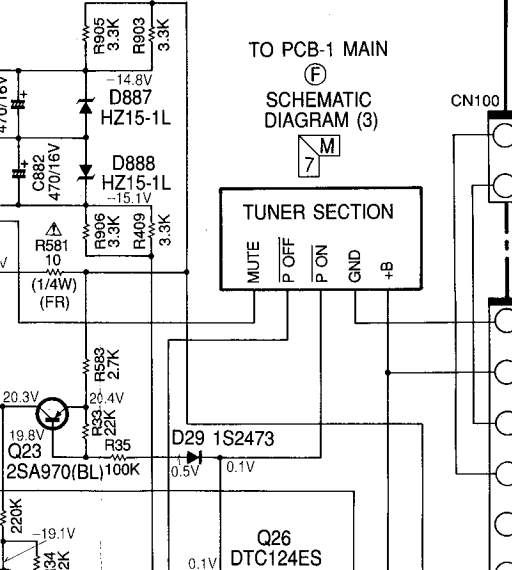
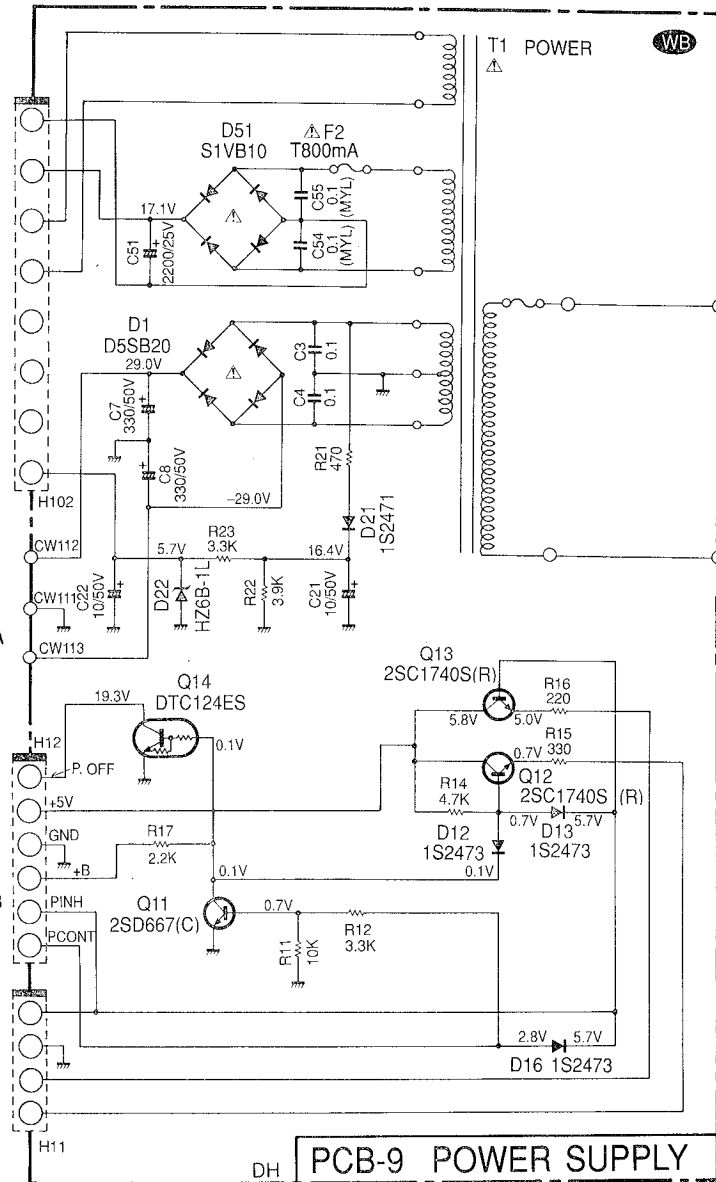
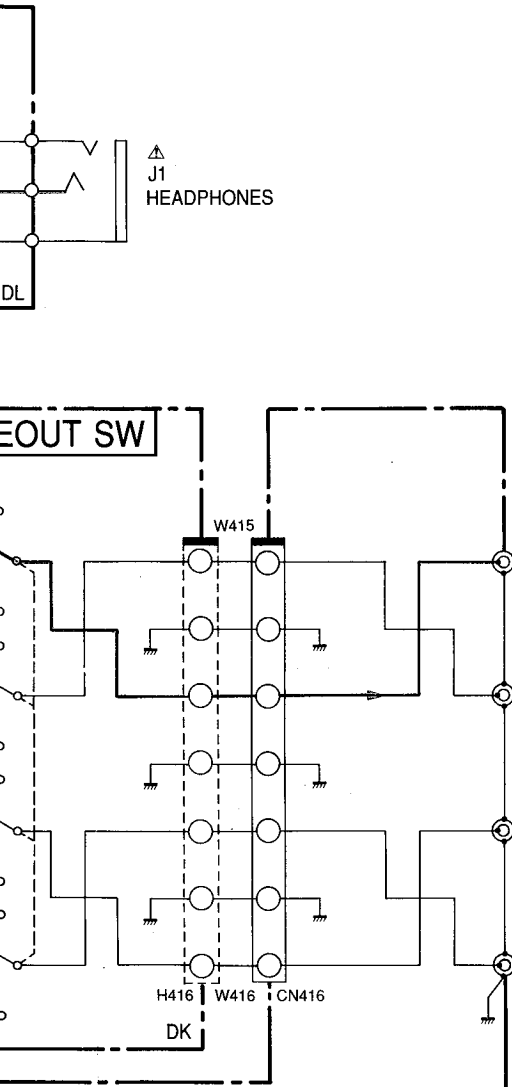
6

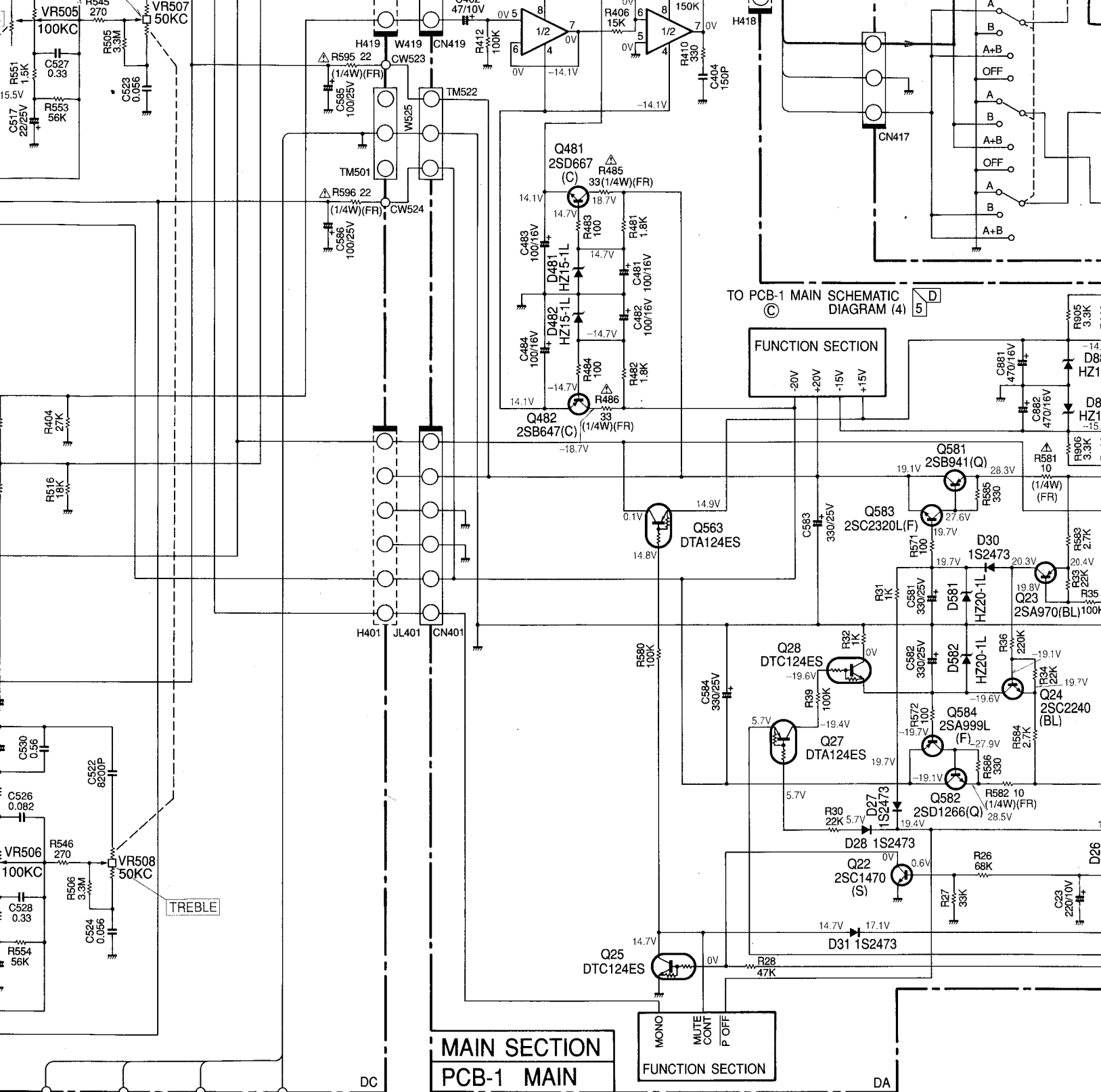
7

A B C D E









**MAIN SECTION
PCB-1 MAIN**

FUNCTION SECTION

PCB-18 POWER LED

TO PCB-2 EQ
S
SCHEMATIC DIAGRAM (1)
A

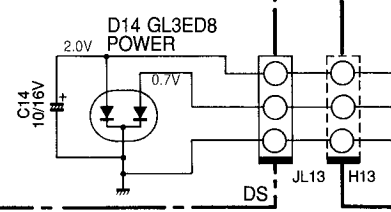
TO PCB-3 MONITOR
R
SCHEMATIC DIAGRAM (4)
B

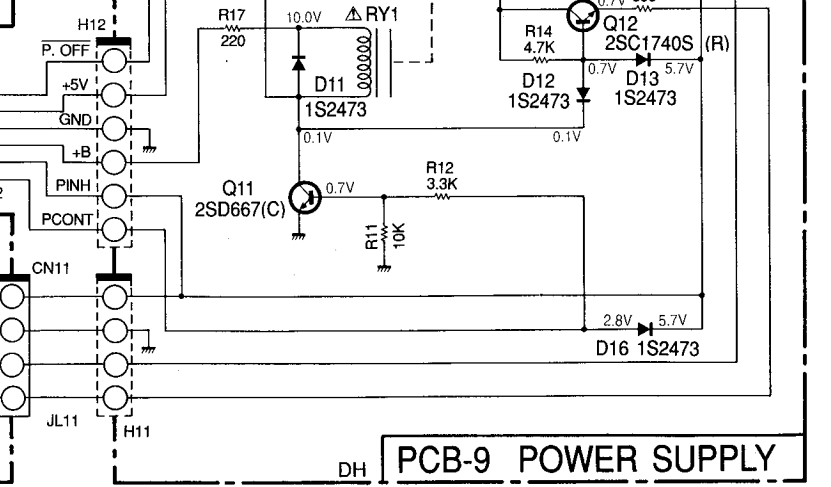
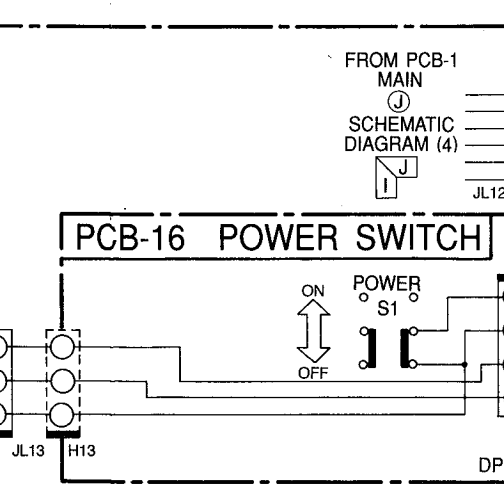
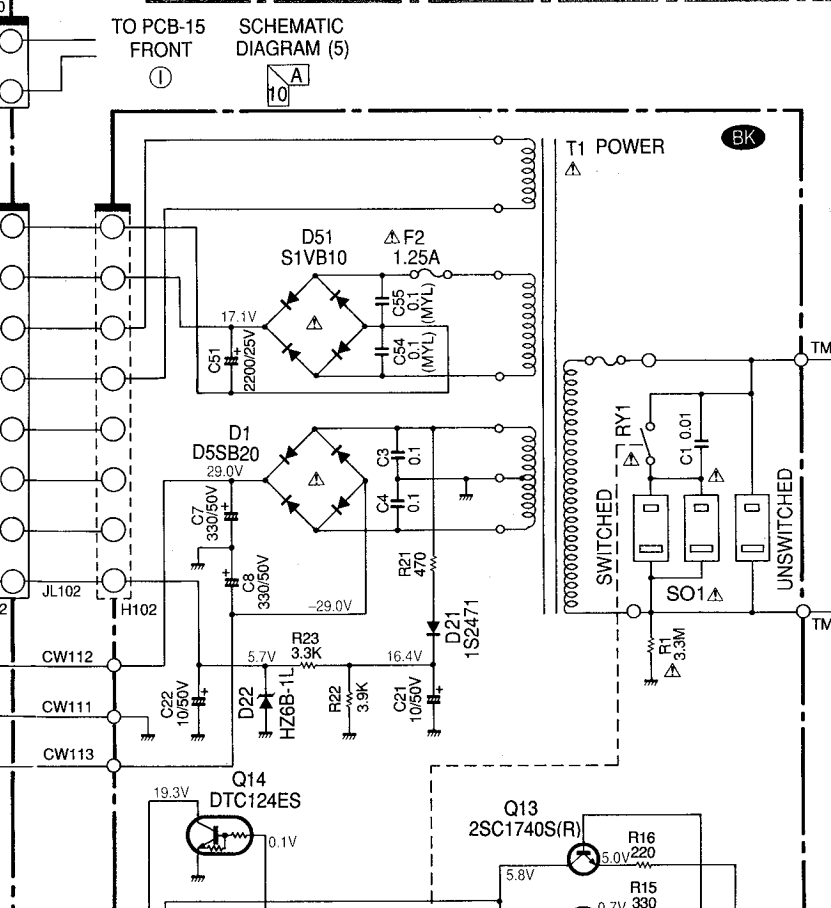
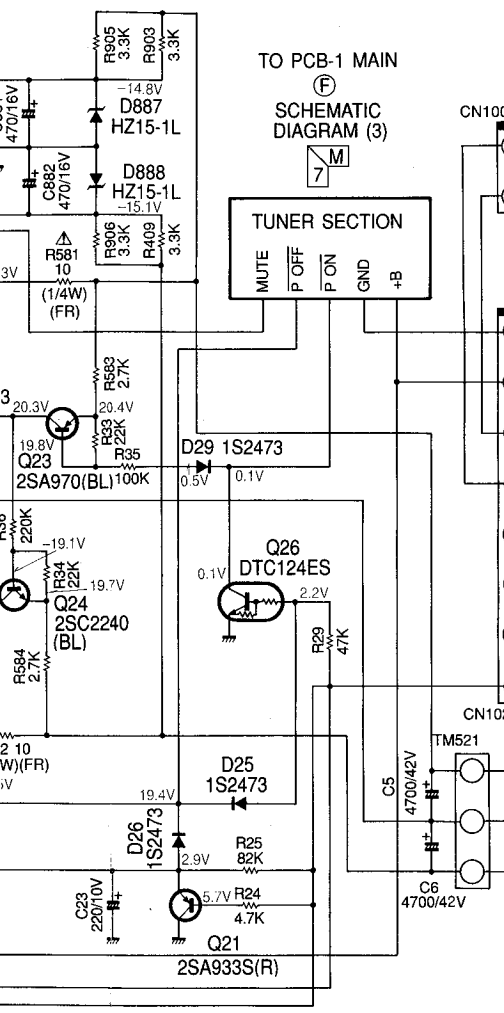
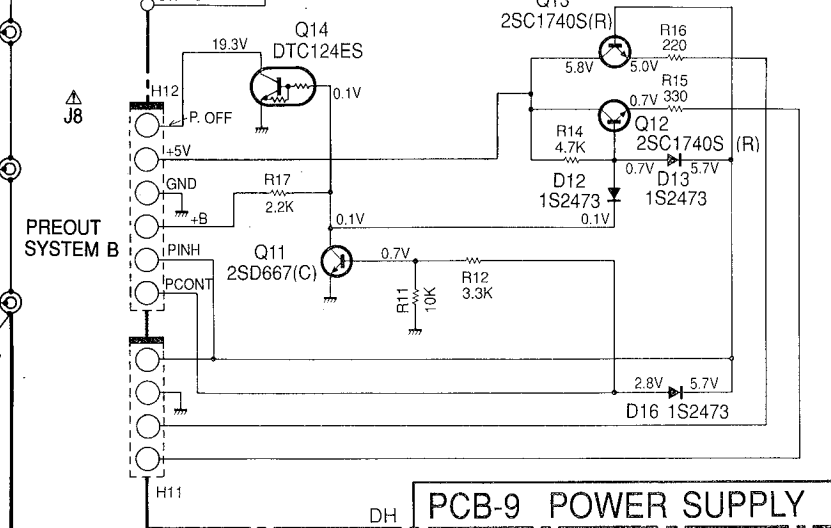
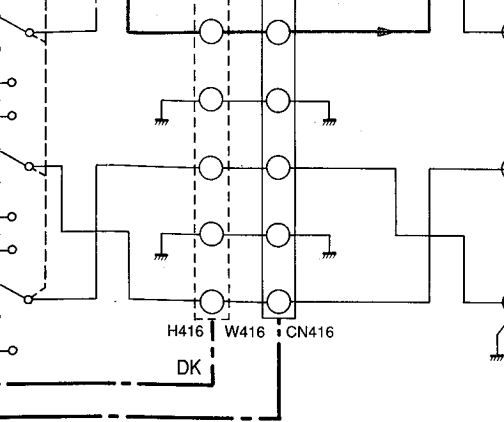
TO PCB-2 EQ
CW107
E
SCHEMATIC DIAGRAM (1)
2

	R1	R2
	DTA124ES	22K 22K

	R1	R2
	DTC124ES	22K 22K

FROM PCB-1 MAIN
S
SCHEMATIC DIAGRAM (4)
3





TO PCB-1 MAIN
SCHEMATIC DIAGRAM (3)

TO PCB-15 FRONT
SCHEMATIC DIAGRAM (5)

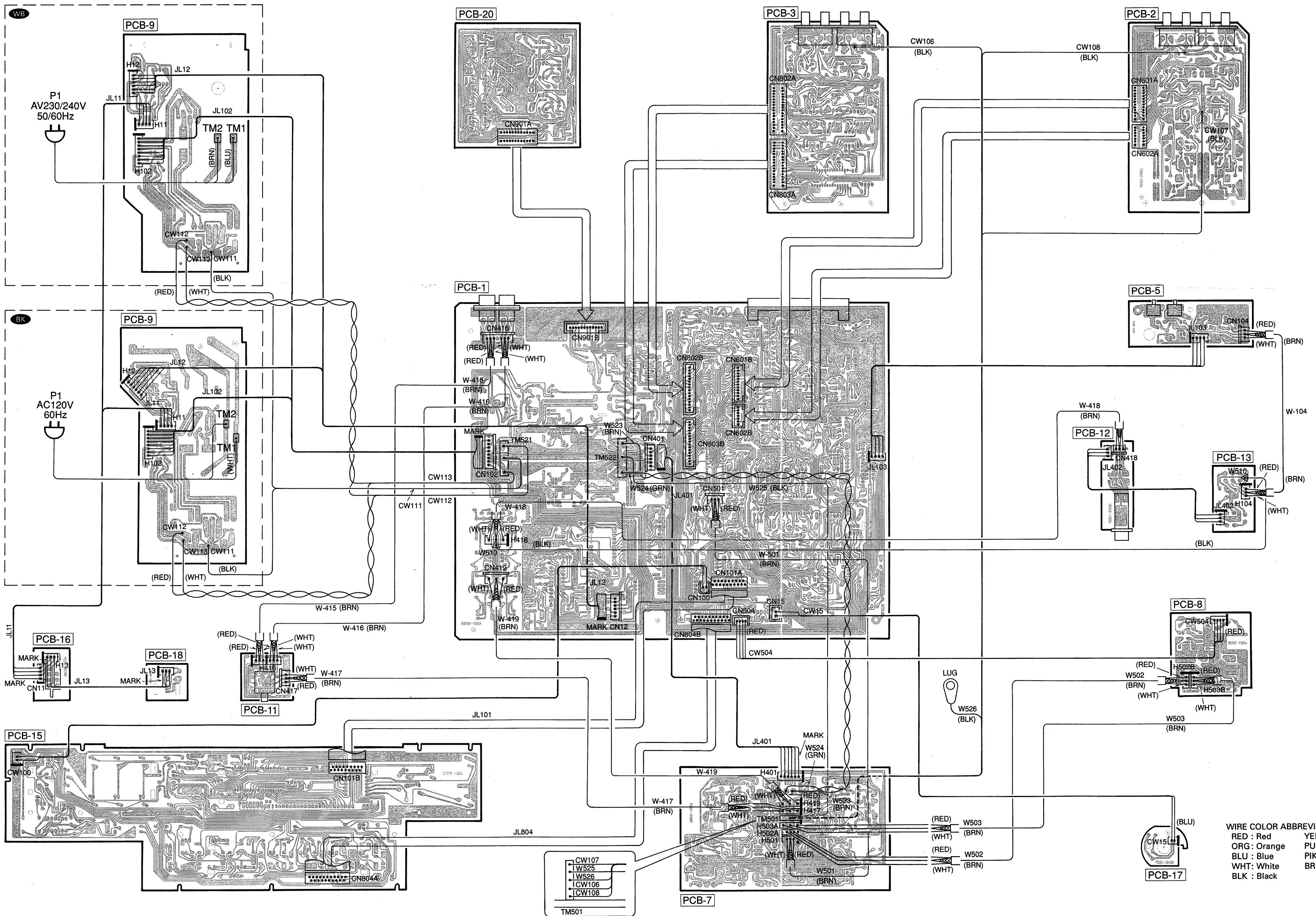
TUNER SECTION

T1 POWER

PCB-16 POWER SWITCH

PCB-9 POWER SUPPLY

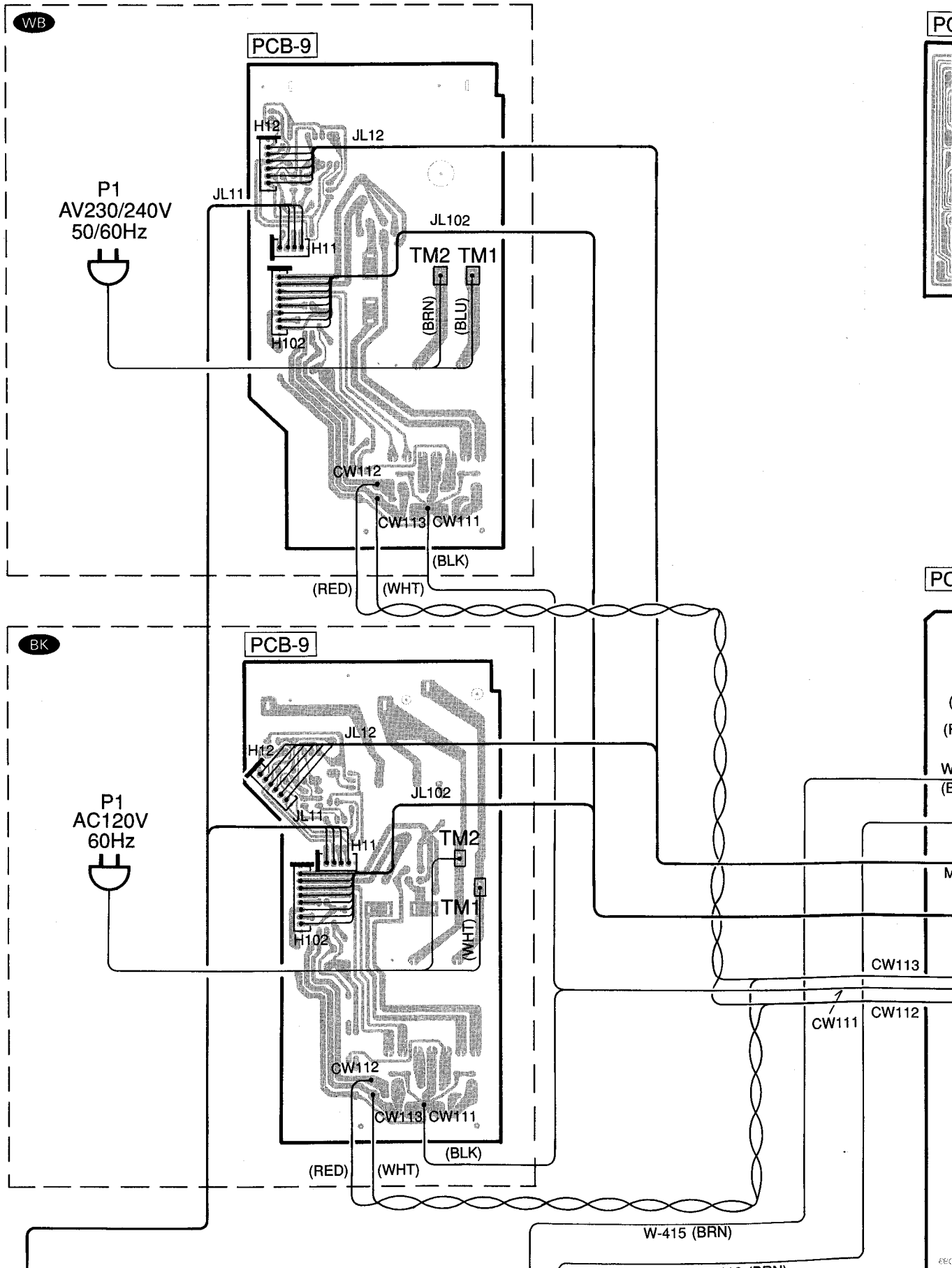
WIRING DIAGRAM



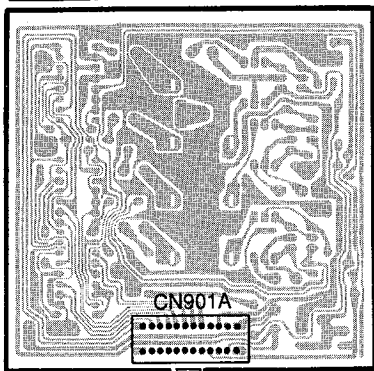
WIRE COLOR ABBREVIATIONS
 RED : Red YEL : Yellow
 ORG : Orange PUP : Purple
 BLU : Blue PIK : Pink
 WHT : White BRN : Brown
 BLK : Black

- CW107
 - W525
 - W526
 - CW106
 - CW108
- TM501

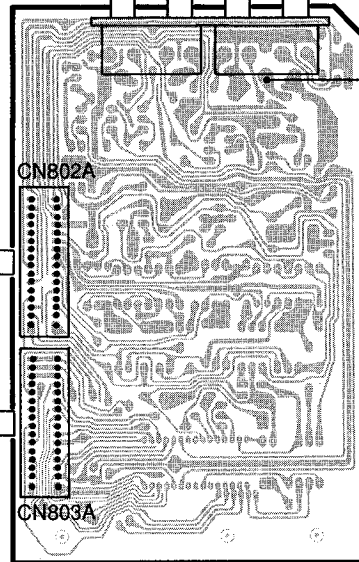
WIRING DIAGRAM



PCB-20

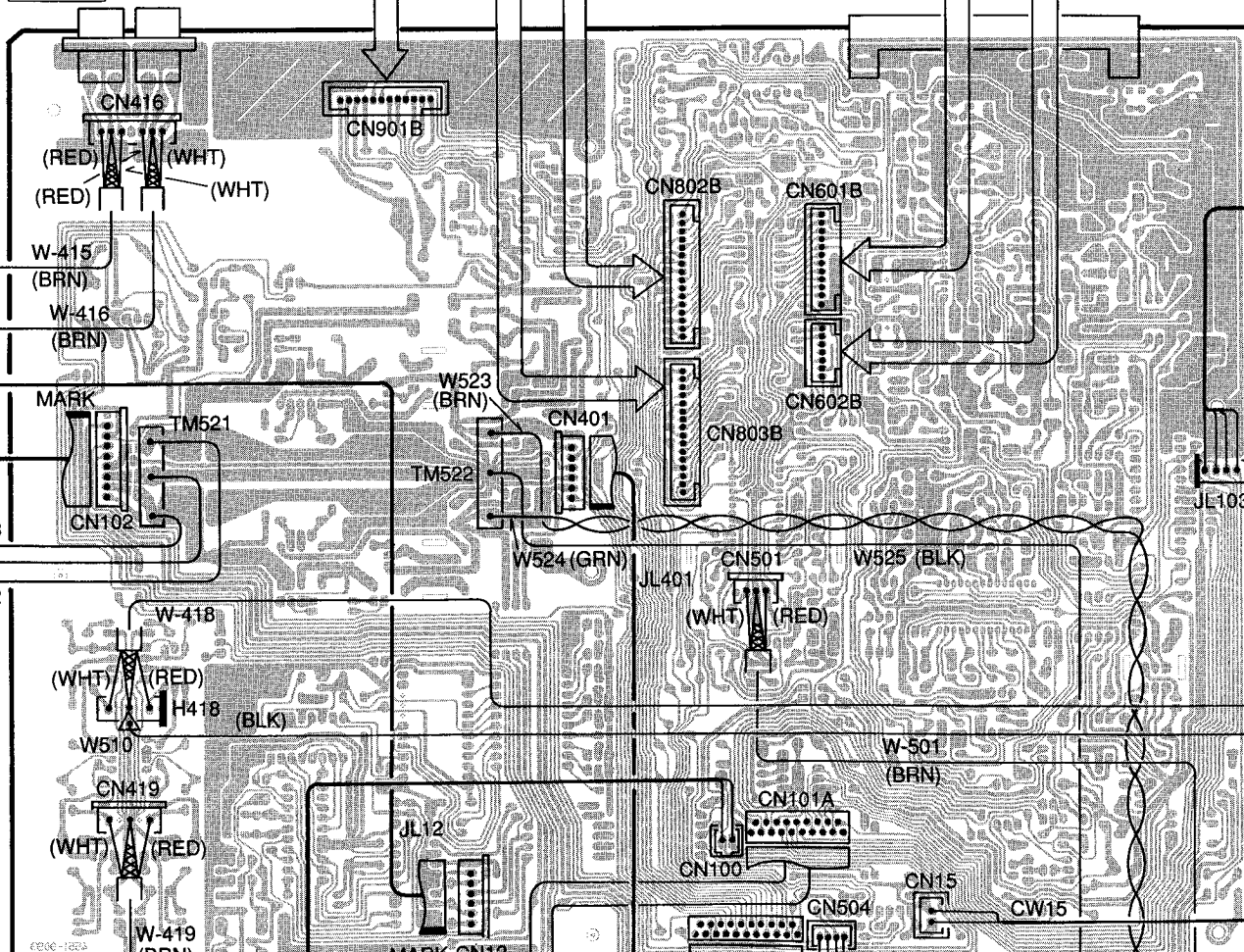


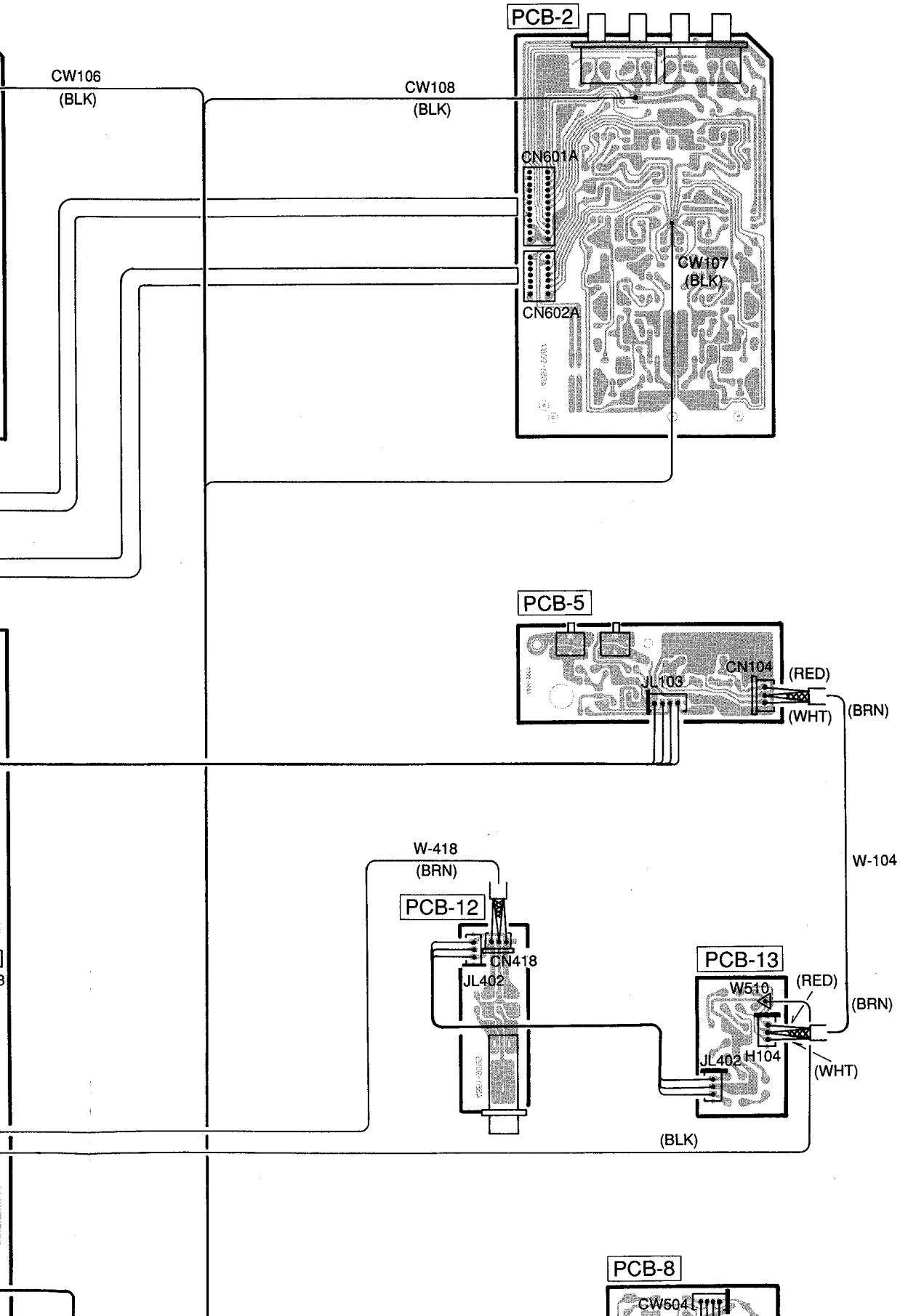
PCB-3

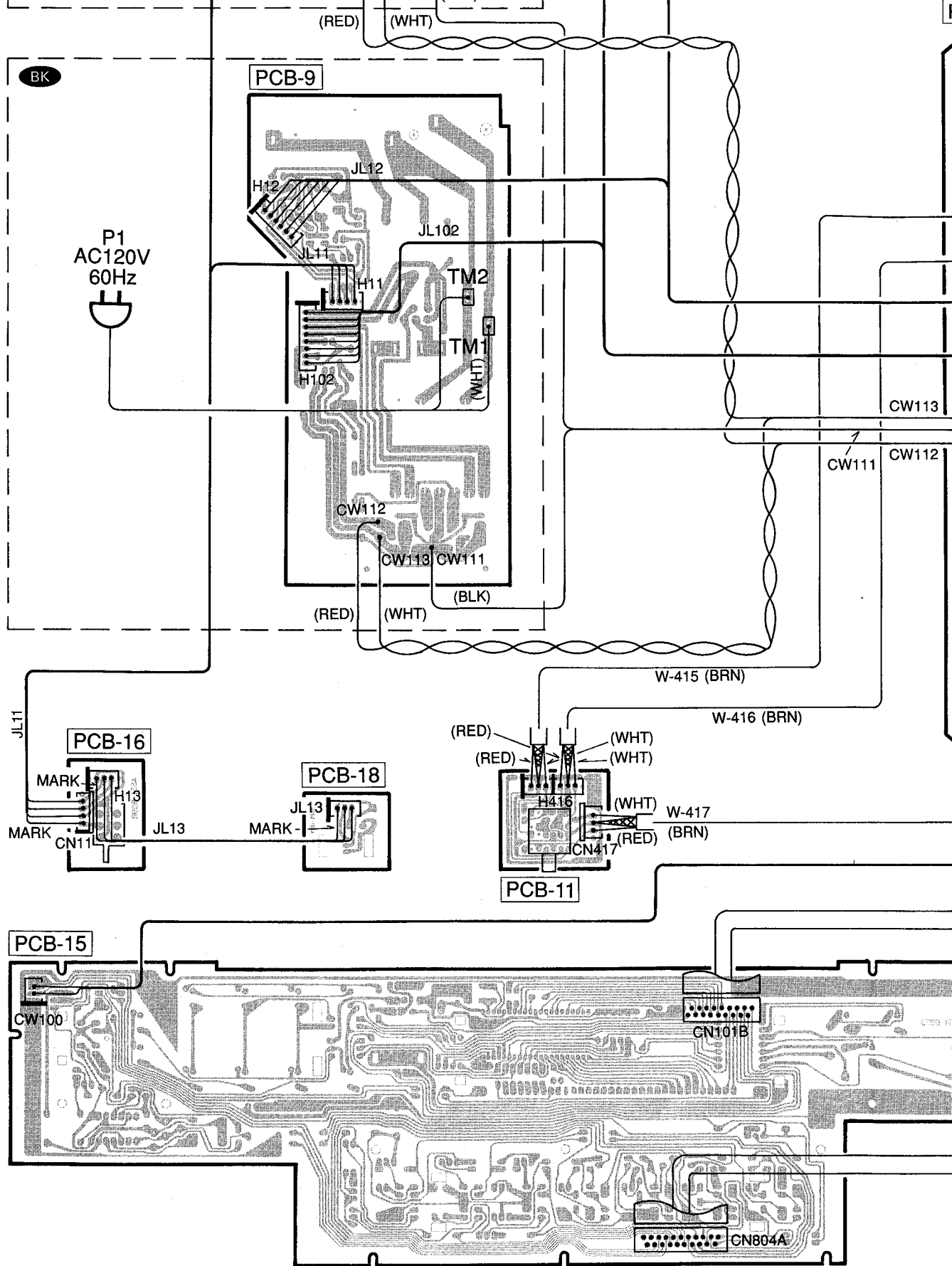


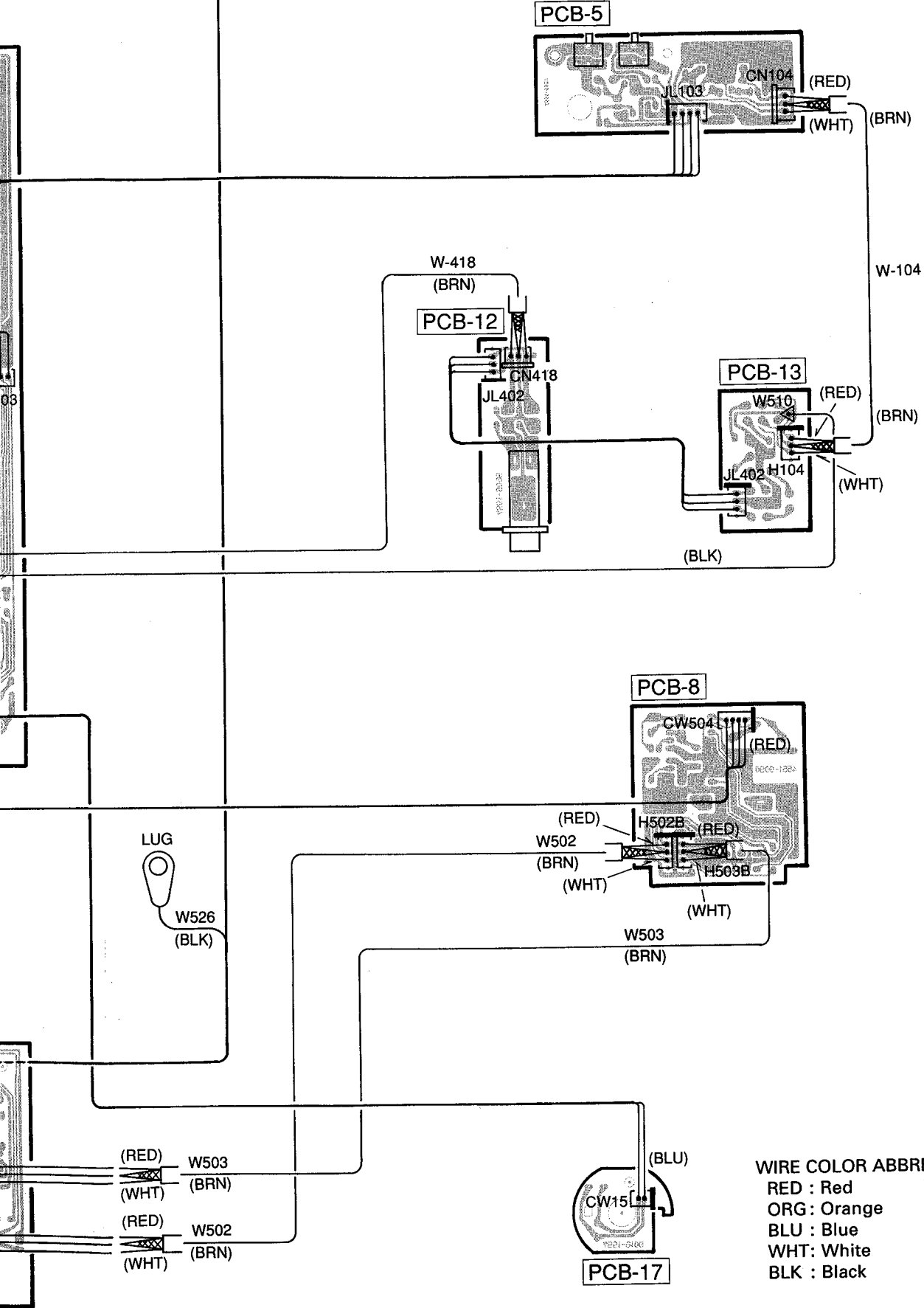
CW106
(BLK)

PCB-1









WIRE COLOR ABBREVIATIONS

RED : Red	YEL : Yellow
ORG : Orange	PUP : Purple
BLU : Blue	PIK : Pink
WHT: White	BRN : Brown
BLK : Black	